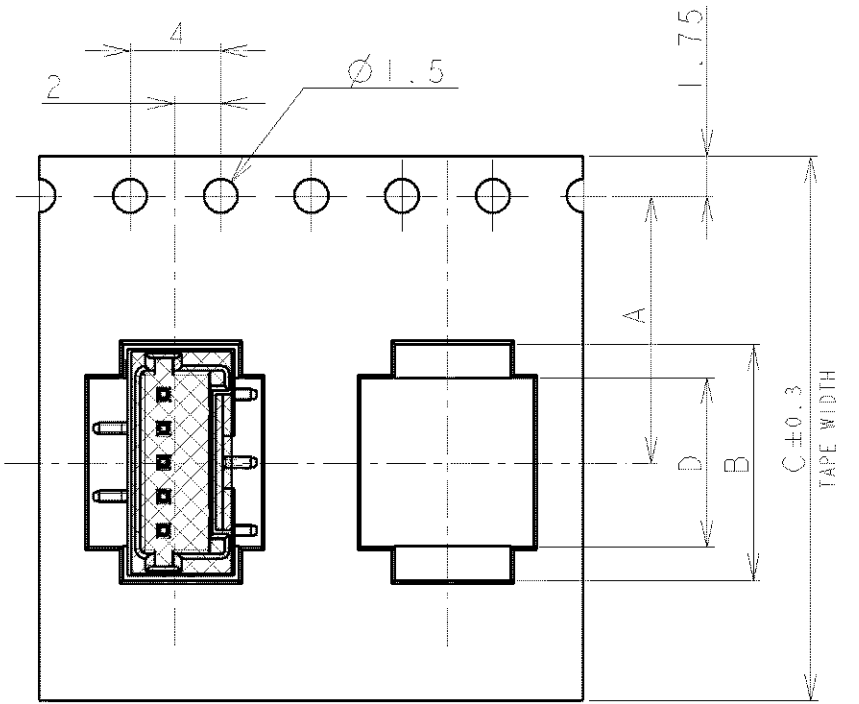


THIS DRAWING IS UNPUBLISHED.

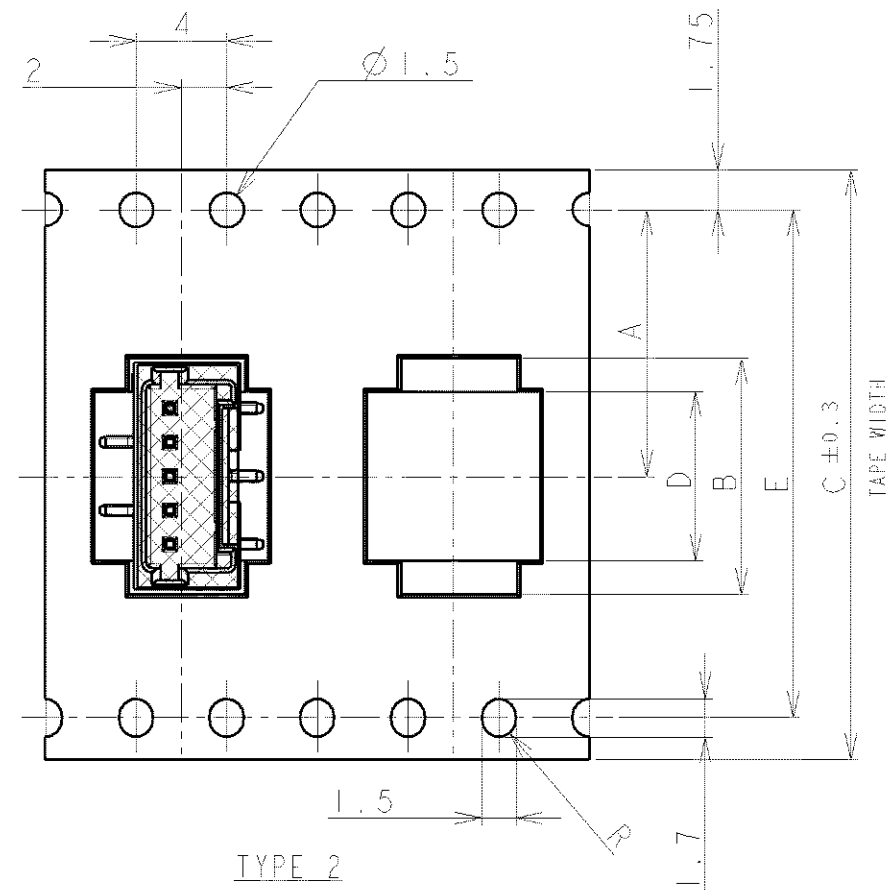
RELEASED FOR PUBLICATION

© COPYRIGHT BY ALL RIGHTS RESERVED

LOC	DIS1	REVISIONS			
P	LR	DESCRIPTION	DATE	DWN	APVD
FB	00	A1	REVISED PER ECO-11-005033	2APR11	RK HMR

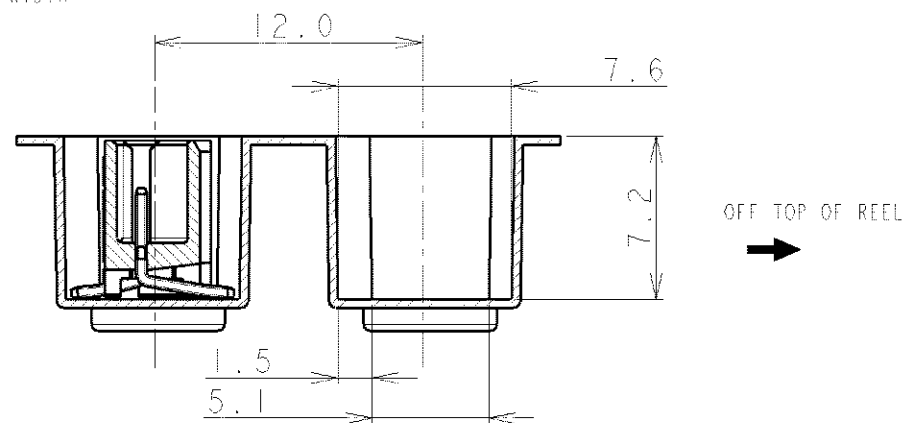
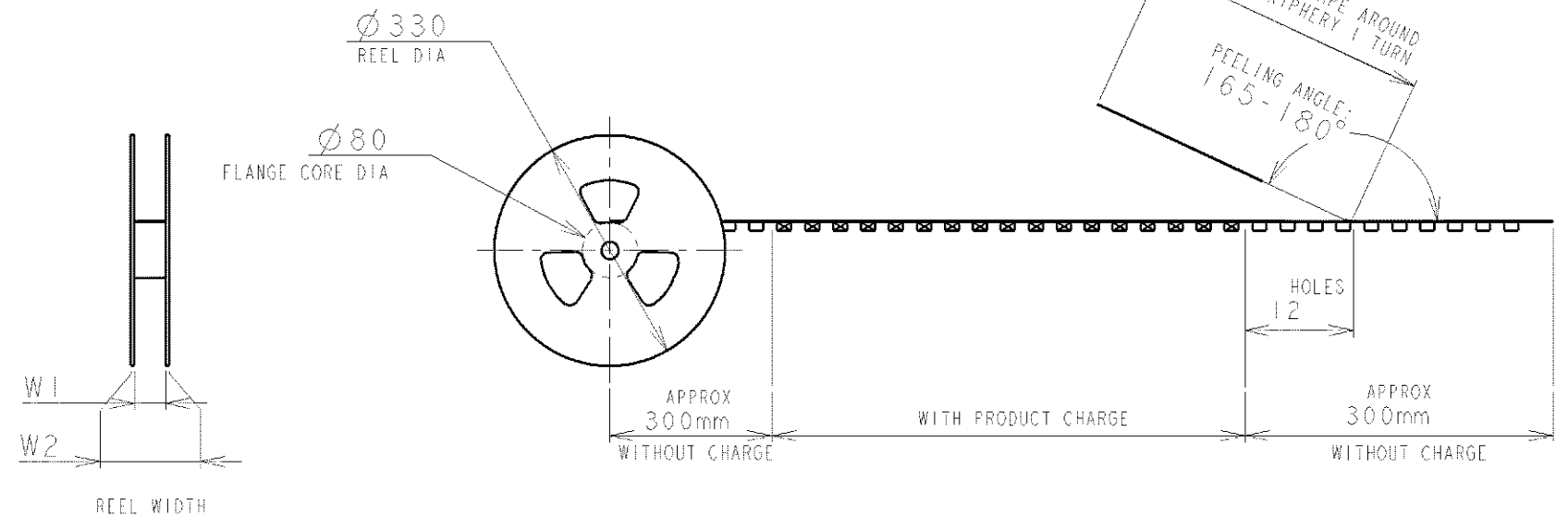
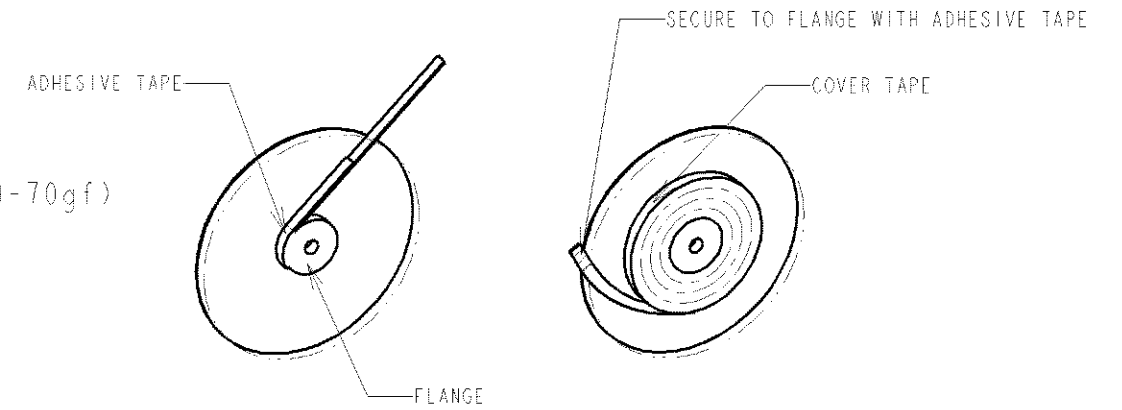


TYPE 1



TYPE 2

NOTE:  
 1. PEELING STRENGTH: 0.20-0.69N (20-70gf)  
 PEELING ANGLE: 165-180°  
 PEELING SPEED: 300mm/MINUTE.



TOLERANCES UNLESS OTHERWISE SPECIFIED:

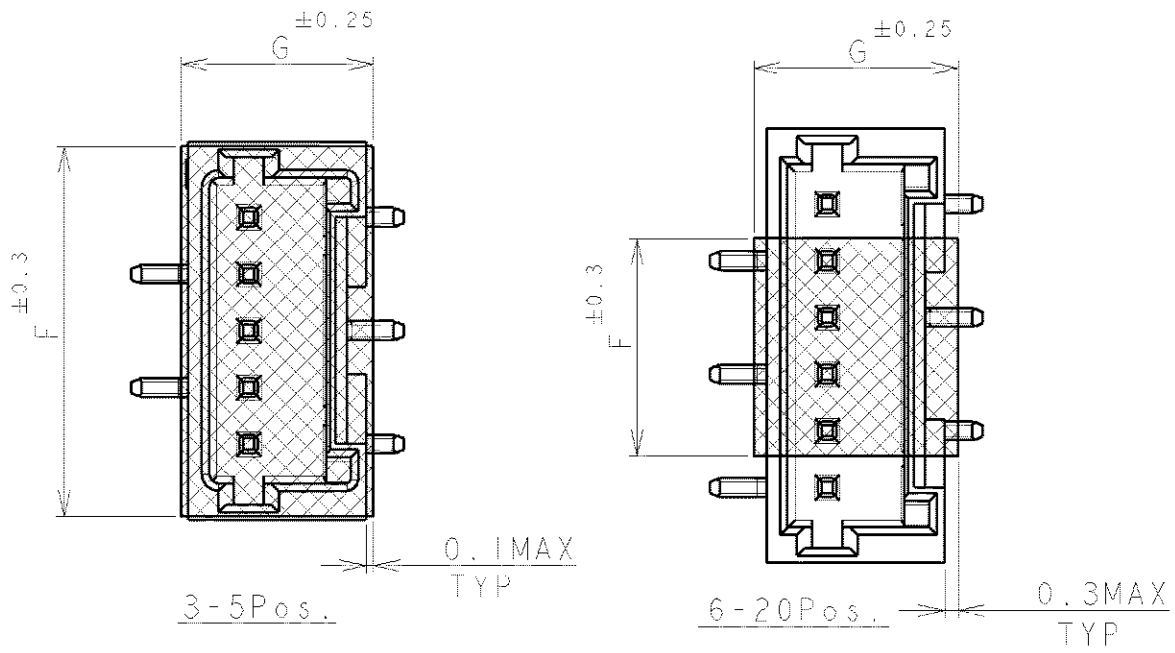
- 10 > : ±0.2
- 30 > \* > 10 : ±0.25
- 100 > \* > 30 : ±0.3
- ANGLE : ±3°

DIMENSIONS: mm	TOLERANCES UNLESS OTHERWISE SPECIFIED: 0 PLC ± 1 PLC ± 2 PLC ± 3 PLC ± 4 PLC ± ANGLES ±	DWN S.XU 31JAN03	<b>STE</b> TE Connectivity		
		CHK S.YAO 31JAN03			
MATERIAL	FINISH	APVD T.SASAKI 31JAN03	NAME AMP Mini Common Terminated (CT) Connector 1.5mm PITCH		
		PRODUCT SPEC 108-60018	SINGLE ROW POST HDR ASS'Y (V) SMT TYPE		
APPLICATION SPEC 114-5223		SIZE A3	CAGE CODE 00779	DRAWING NO C-292232	RESTRICTED TO
CUSTOMER DRAWING		SCALE NON		SHEET 1 OF 4	REV

THIS DRAWING IS UNPUBLISHED.

ALL RIGHTS RESERVED.

LOC	DIST	REVISIONS					
FB	00	P	LTR	DESCRIPTION	DATE	DWN	APVD
		SEE SHEET 1					



TAPE TYPE	DIMENSIONS								QTY/REEL	POS	COLOR	ON TAPE P/N	
	W2	W1	G	F	E	D	C	B					A
TYPE 2	49.5	45.5	5.0	9.5	40.4	29.9	44	32.9	20.2±0.15	500	20	2-292232-0	
	49.5	45.5	5.0	9.5	40.4	28.4	44	31.4		500	19	1-292232-9	
	49.5	45.5	5.0	9.5	40.4	26.9	44	29.9		500	18	1-292232-8	
	49.5	45.5	5.0	9.5	40.4	25.4	44	28.4		500	17	1-292232-7	
	49.5	45.5	5.0	9.5	40.4	23.9	44	26.9		500	16	1-292232-6	
	49.5	45.5	5.0	9.5	40.4	22.4	44	25.4		500	15	1-292232-5	
	49.5	45.5	5.0	9.5	40.4	20.9	44	23.9		500	14	1-292232-4	
	49.5	45.5	5.0	9.5	40.4	19.4	44	22.4		500	13	1-292232-3	
	37.5	33.5	5.0	9.5	28.4	17.9	32	20.9		14.2	500	12	1-292232-2
	37.5	33.5	5.0	9.5	28.4	16.4	32	19.4		14.2	500	11	1-292232-1
	37.5	33.5	5.0	9.5	28.4	14.9	32	17.9		14.2	500	10	1-292232-0
	37.5	33.5	5.0	6.5	28.4	13.4	32	16.4		14.2	500	9	292232-9
TYPE 1	29.5	25.5	5.0	6.5	-	11.9	24	14.9	11.5	500	8	292232-8	
	29.5	25.5	5.0	6.5	-	10.4	24	13.4	11.5	500	7	292232-7	
	29.5	25.5	5.0	6.5	-	8.9	24	11.9	11.5	500	6	292232-6	
	29.5	25.5	4.5	9.5	-	7.4	24	10.4	11.5	500	5	292232-5	
	21.5	17.5	4.5	8.0	-	5.9	16	8.9	7.5	500	4	292232-4	
	21.5	17.5	4.5	6.5	-	4.4	16	7.4	7.5	500	3	292232-3	

DIMENSIONS: mm

TOLERANCES UNLESS OTHERWISE SPECIFIED:

0 PLC ±

1 PLC ±

2 PLC ±

3 PLC ±

4 PLC ±

ANGLES ±

DWN

CHK

APVD

PRODUCT SPEC  
SEE SHEET 1

APPLICATION SPEC  
SEE SHEET 1

WEIGHT

CUSTOMER DRAWING

MATERIAL

FINISH

TE Connectivity

NAME AMP Mini Common Terminated (CT) Connector 1.5mm PITCH  
SINGLE ROW POST HDR ASS'Y (V) SMT TYPE  
WITH POLYIMIDE TAPE, WITH BOSS, EMOSS TAPE PACKAGED

SIZE A4 CAGE CODE 00779 DRAWING NO G-292232 RESTRICTED TO

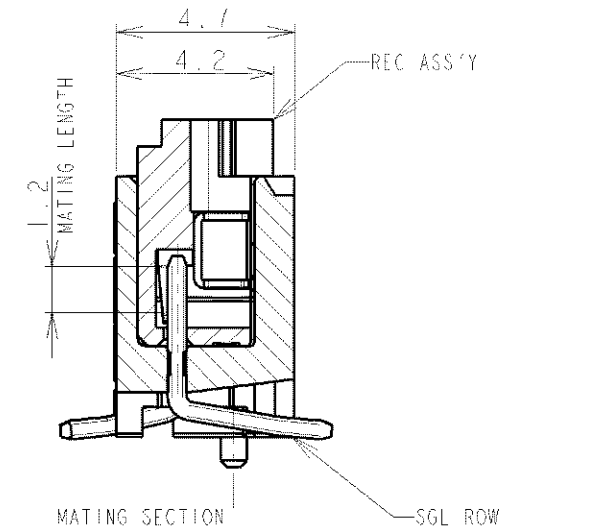
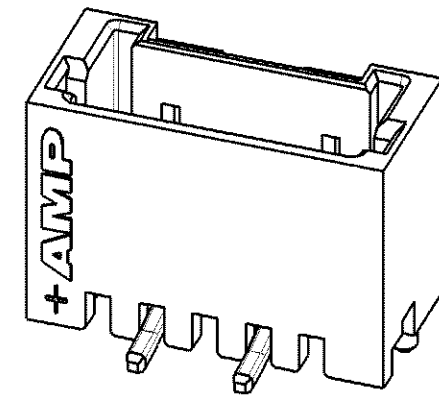
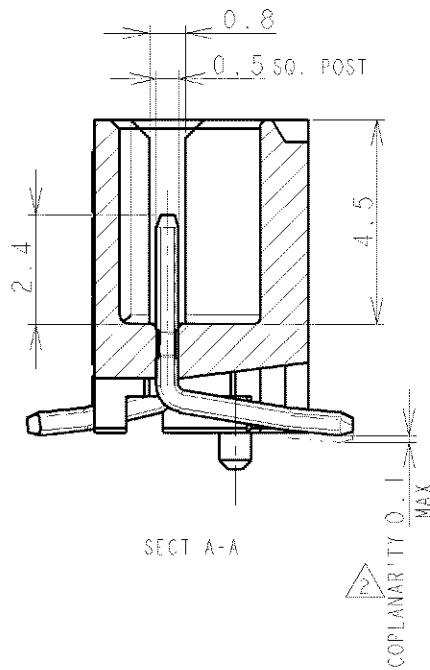
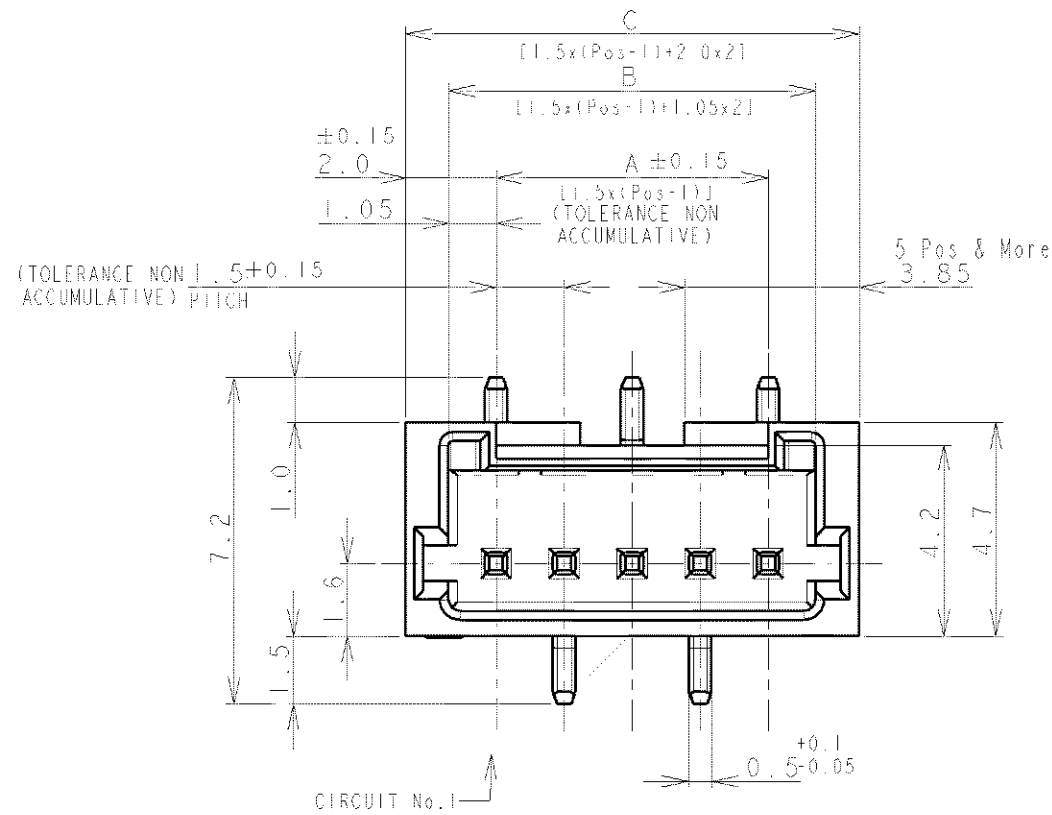
SCALE NON SHEET 2 OF 4 REV A1

THIS DRAWING IS UNPUBLISHED

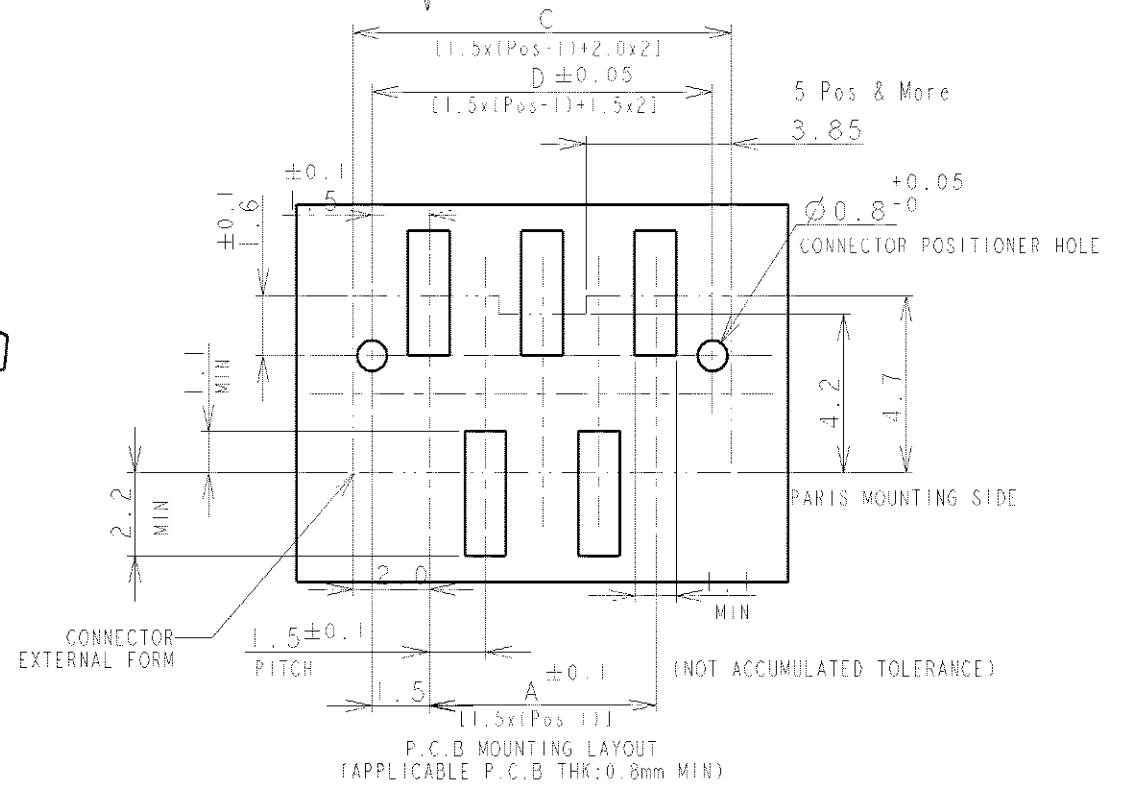
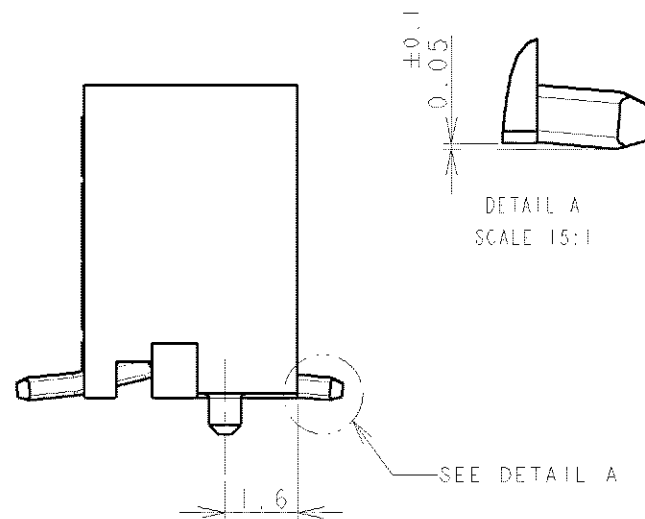
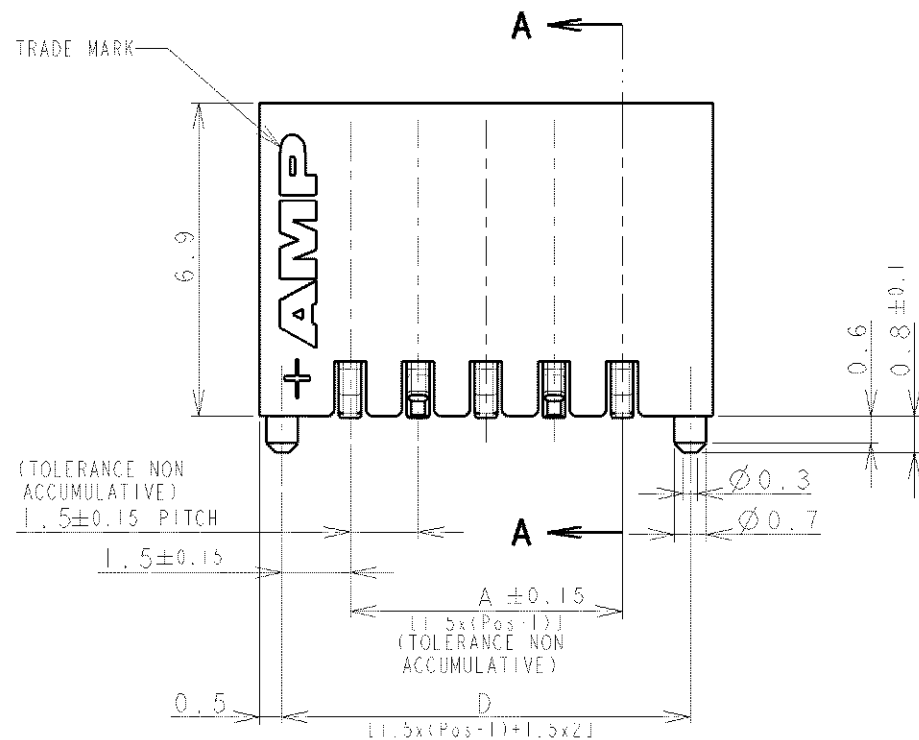
RELEASED FOR PUBLICATION

© COPYRIGHT BY ALL RIGHTS RESERVED.

LOC	DIST	REVISIONS			
P	LTR	DESCRIPTION	DATE	DWN	APVD
FB	00	SEE SHEET 1			



CIRCUIT No. 1



SHOWN AS WIHTOUT TAPE

NOTES:  
 1. MATERIAL:  
 HOUSING: GLASS FILLED, HIGH HEAT RESISTANT NYLON, UL94V-0, COLOR: BEIGE OR BLACK  
 POST: Sn-100% BRASS WIRE  
 TO BE MEASURED WITH CONNECTOR PLACED ON HORIZONTAL DATUM SURFACE,  
 FLOAT OF SOLDER TINE FROM DATUM SURFACE IS 0.1mm MAX.

DWN		<b>TE Connectivity</b>	
CHK			
APVD		NAME	
PRODUCT SPEC		AMP MINI COMMON TERMINATION (CT) CONNECTOR 1.5 mm PITCH	
APPLICATION SPEC		SINGLE ROW POST HDR ASS'Y (V) SMT TYPE WITH BOSS	
WEIGHT		SIZE	RESTRICTED TO
MATERIAL		CAGE CODE	
FINISH		DRAWING NO	
SEE NOTE 1		A3	
SEE NOTE 1		00779	
CUSTOMER DRAWING		C-292232	
SCALE		SHEET	REV
NON		3 OF 4	A1

THIS DRAWING IS UNPUBLISHED.

ALL RIGHTS RESERVED.

BY -  
COPYRIGHT -

LOC	DIST	REVISIONS					
FB	00	P	LTR	DESCRIPTION	DATE	DWN	APVD
				SEE SHEET 1	-	-	-

0.98	31.5	32.5	30.6	28.5	20	2-292232-0
0.93	30.0	31.0	29.1	27.0	19	1-292232-9
0.89	28.5	29.5	27.6	25.5	18	1-292232-8
0.84	27.0	28.0	26.1	24.0	17	1-292232-7
0.80	25.5	26.5	24.6	22.5	16	1-292232-6
0.75	24.0	25.0	23.1	21.0	15	1-292232-5
0.71	22.5	23.5	21.6	19.5	14	1-292232-4
0.66	21.0	22.0	20.1	18.0	13	1-292232-3
0.62	19.5	20.5	18.6	16.5	12	1-292232-2
0.57	18.0	19.0	17.1	15.0	11	1-292232-1
0.52	16.5	17.5	15.6	13.5	10	1-292232-0
0.48	15.0	16.0	14.1	12.0	9	292232-9
0.43	13.5	14.5	12.6	10.5	8	292232-8
0.39	12.0	13.0	11.1	9.0	7	292232-7
0.34	10.5	11.5	9.6	7.5	6	292232-6
0.30	9.0	10.0	8.1	6.0	5	292232-5
0.25	7.5	8.5	6.6	4.5	4	292232-4
0.20	6.0	7.0	5.1	3.0	3	292232-3
WEIGHT (g)	D	C	B	A	Pos.	BEIGE (NAT)
	DIMENSIONS					P/N

DIMENSIONS: mm		DWN	MATERIAL	FINISH
TOLERANCES UNLESS OTHERWISE SPECIFIED:		CHK	SEE SHEET 1	SEE SHEET 1
0 PLC ±		APVD		
1 PLC ±		PRODUCT SPEC		
2 PLC ±		APPLICATION SPEC	NAME	
3 PLC ±		WEIGHT	AMP MINI COMMON TERMINATED (CT) CONNECTOR 1.5 mm PITCH	
4 PLC ±			SINGLE ROW POST HDR ASS'Y (V) SMT TYPE WITH BOSS	
ANGLES ±			SIZE	CAGE CODE
			A4	00779
			DRAWING NO	RESTRICTED TO
			C=292232	
CUSTOMER DRAWING			SCALE	SHEET
			NON	4 OF 4
			REV	A1