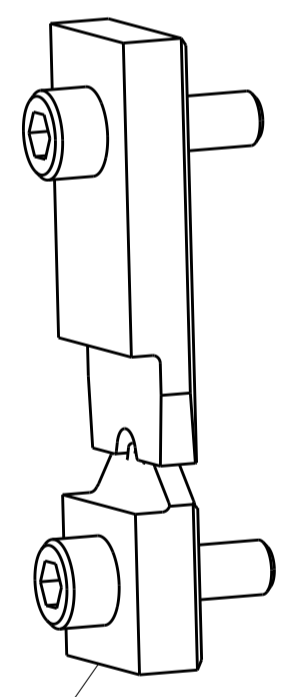
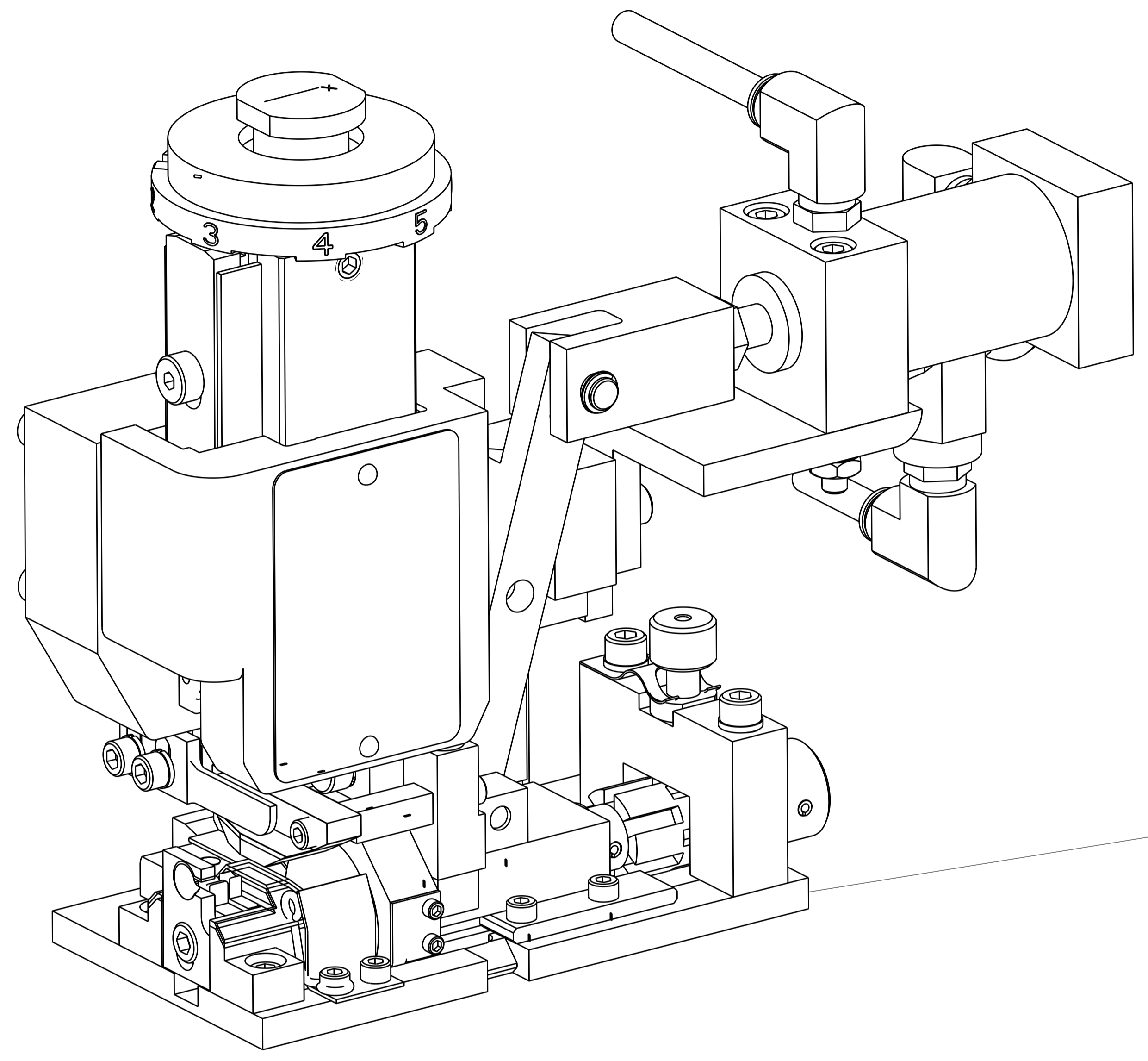


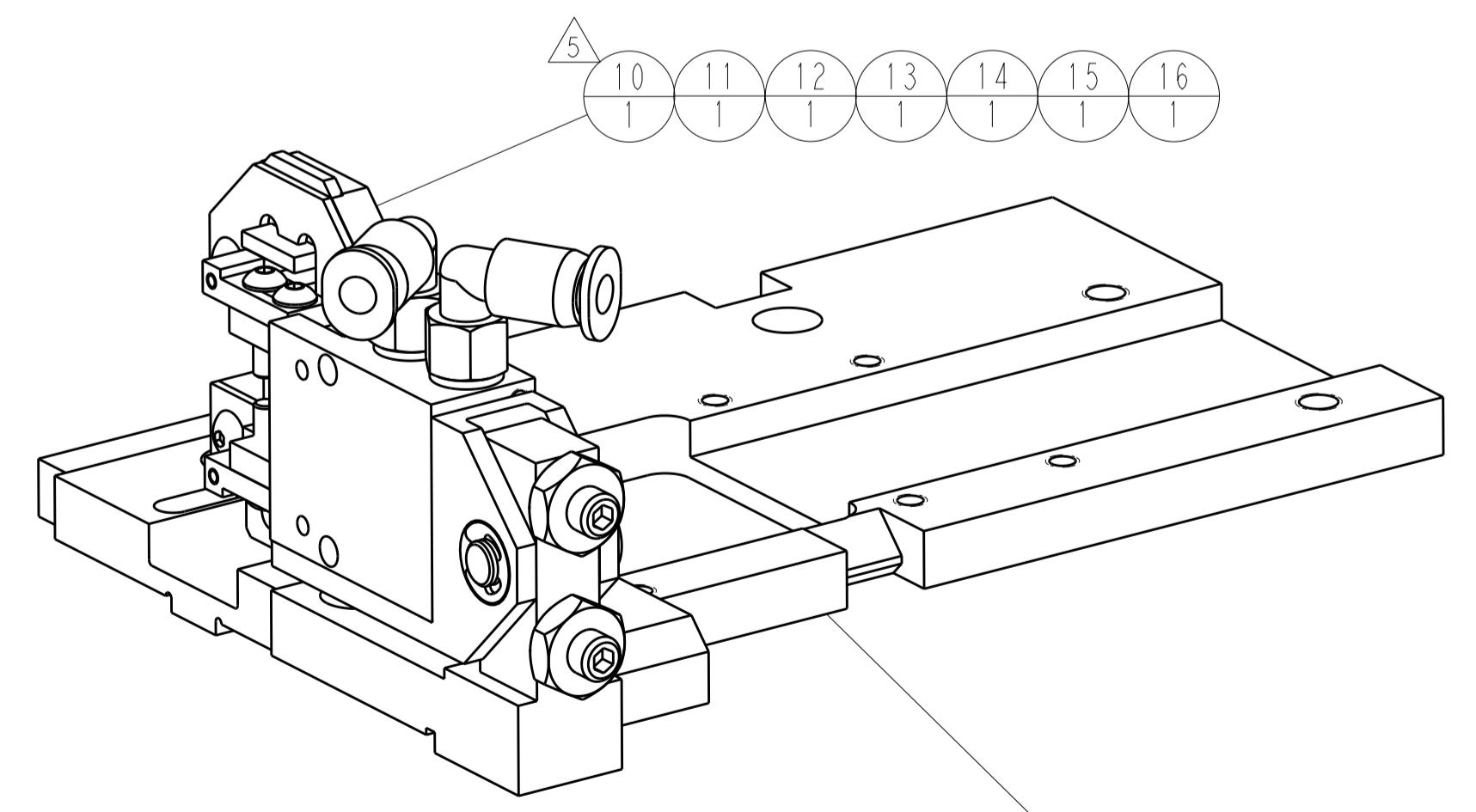
PART NUMBER	REV	FIRST USED
1852897-1	C	-
1852897-2	C	-
1852897-3	C	-
1852897-4	C	-
1852897-5	C	-

THIS DRAWING IS A CONTROLLED DOCUMENT

THIS INFORMATION IS CONFIDENTIAL AND PROPRIETARY TO TFC ELECTRONICS CORPORATION. IT IS TO BE DISCLOSED TO ANYONE OTHER THAN THE PERSONNEL, WITHOUT AUTHORIZATION FROM TFC ELECTRONICS CORPORATION.



- 3  
1
- 4  
1
- 5  
1
- 6  
1
- 7  
1



- 10  
1
- 11  
1
- 12  
1
- 13  
1
- 14  
1
- 15  
1
- 16  
1

1. IDENTIFY PART PER TEC-115-67-7.
2. SUPPLY UNMODIFIED DIES TO ODYSSEY FOR MODIFICATION.
3. MODIFICATIONS DONE BY ODYSSEY.
4. SUPPLY UNMODIFIED APPLICATOR TO ODYSSEY.
5. PARTS SOURCED FROM ODYSSEY.

5	-	1	1	-	-	-	2280156-7	KIT, WIRE GUIDE	16
5	-	1	1	-	-	-	2280156-6	KIT, WIRE GUIDE	15
5	-	-	-	1	1	-	2280156-5	KIT, WIRE GUIDE	14
5	1	-	-	1	1	-	2280156-4	KIT, WIRE GUIDE	13
5	1	-	-	-	-	-	2280156-3	KIT, WIRE GUIDE	12
5	-	-	-	-	-	-	2280156-2	KIT, WIRE GUIDE	11
5	-	-	-	-	-	-	2280156-1	KIT, WIRE GUIDE	10
	2	2	2	2	2	-	21017-2	SCR, DRIVE, RH, TYPE U	9
	1	1	1	1	1	-	461264-1	PLATE, IDENTIFICATION	8
3	2	1	-	-	-	-	2280047-5	DIE ASSEMBLY	7
3	2	-	1	-	-	-	2280047-4	DIE ASSEMBLY	6
3	2	-	-	1	-	-	2280047-3	DIE ASSEMBLY	5
3	2	-	-	-	1	-	2280047-2	DIE ASSEMBLY	4
3	2	-	-	-	-	1	2280047-1	DIE ASSEMBLY	3
5	1	1	1	1	1	-	2280204-1	WIRE GUIDE ASSEMBLY	2
4	3	1	1	1	1	1	687658-1	CLOSED BARREL MINI APPLICATOR	1
	-5	-4	-3	-2	-1	U/M	PART NO	DESCRIPTION	ITEM NO

DIMENSIONS: mm ANGLE: - SURFACE TEXTURE: ✓	TOLERANCES UNLESS OTHERWISE SPECIFIED: 0 PLC ± 1 PLC ± 2 PLC ± 3 PLC ± 4 PLC ±	DWN: G. HOFFNER CHK: T. ELBIN APVD: T. ELBIN NAME: HDM TAPE FEED W/FUNNEL KIT SCALE: 1:2 SIZE: A1 DRAWING NO: 1852897	DATE: 06 JAN 2014 DATE: 07 JAN 2014 DATE: 07 JAN 2014 SHEET: 1 OF 1 REV: C1
C1 ECR-14-012282 C ECR-14-011300	DATE: 14 AUG 2014 DATE: 25 JUL 2014	MY TE MY TE	MATERIAL: - HEAT TREAT: - TE Connectivity