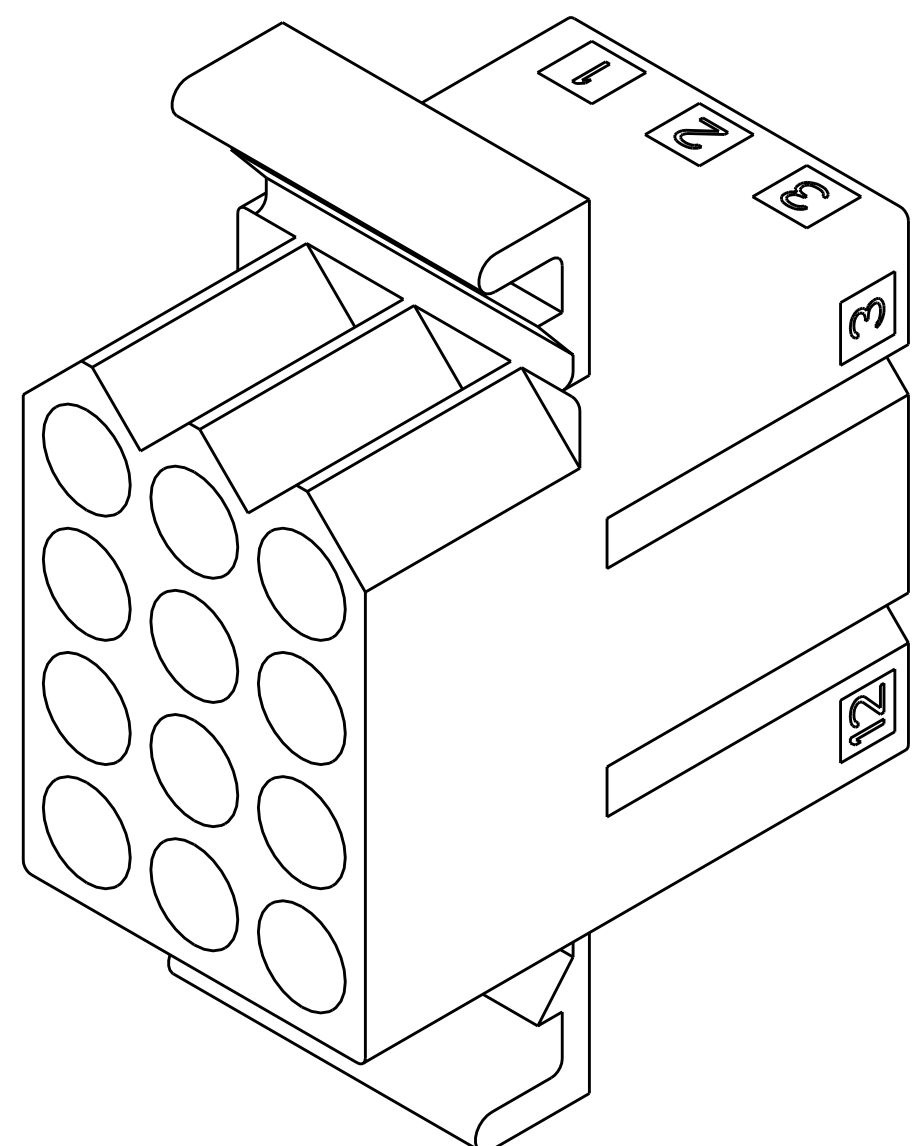
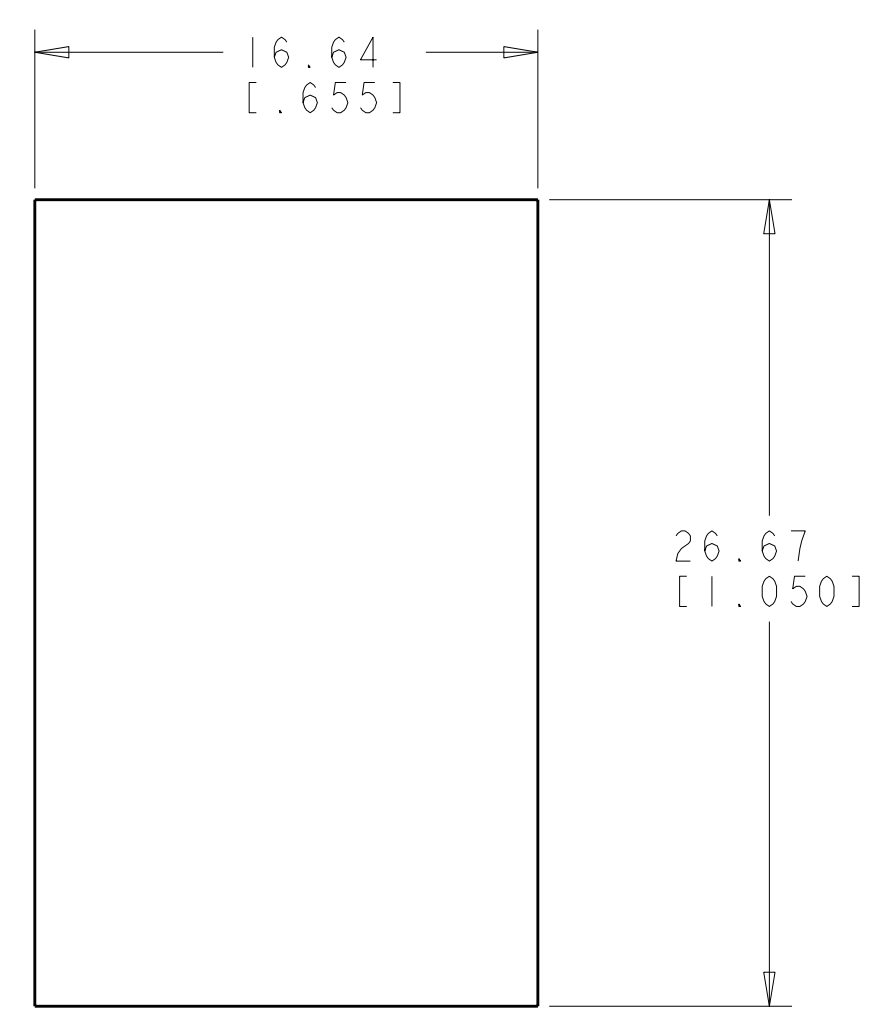
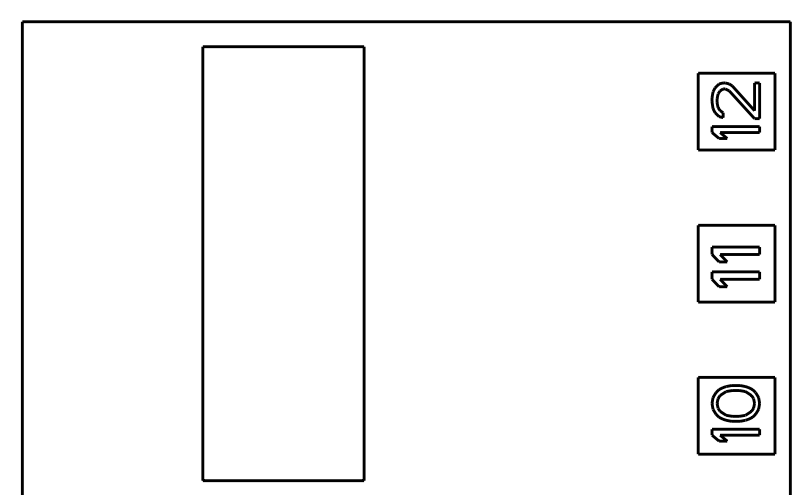
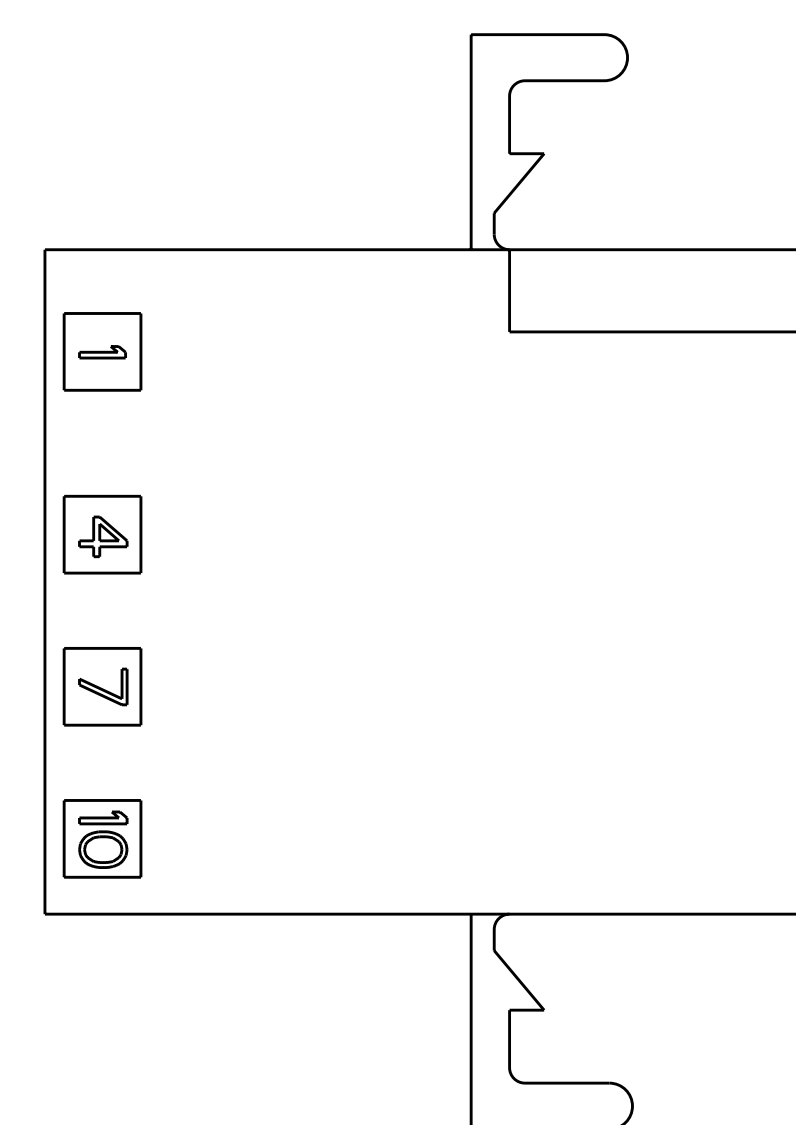
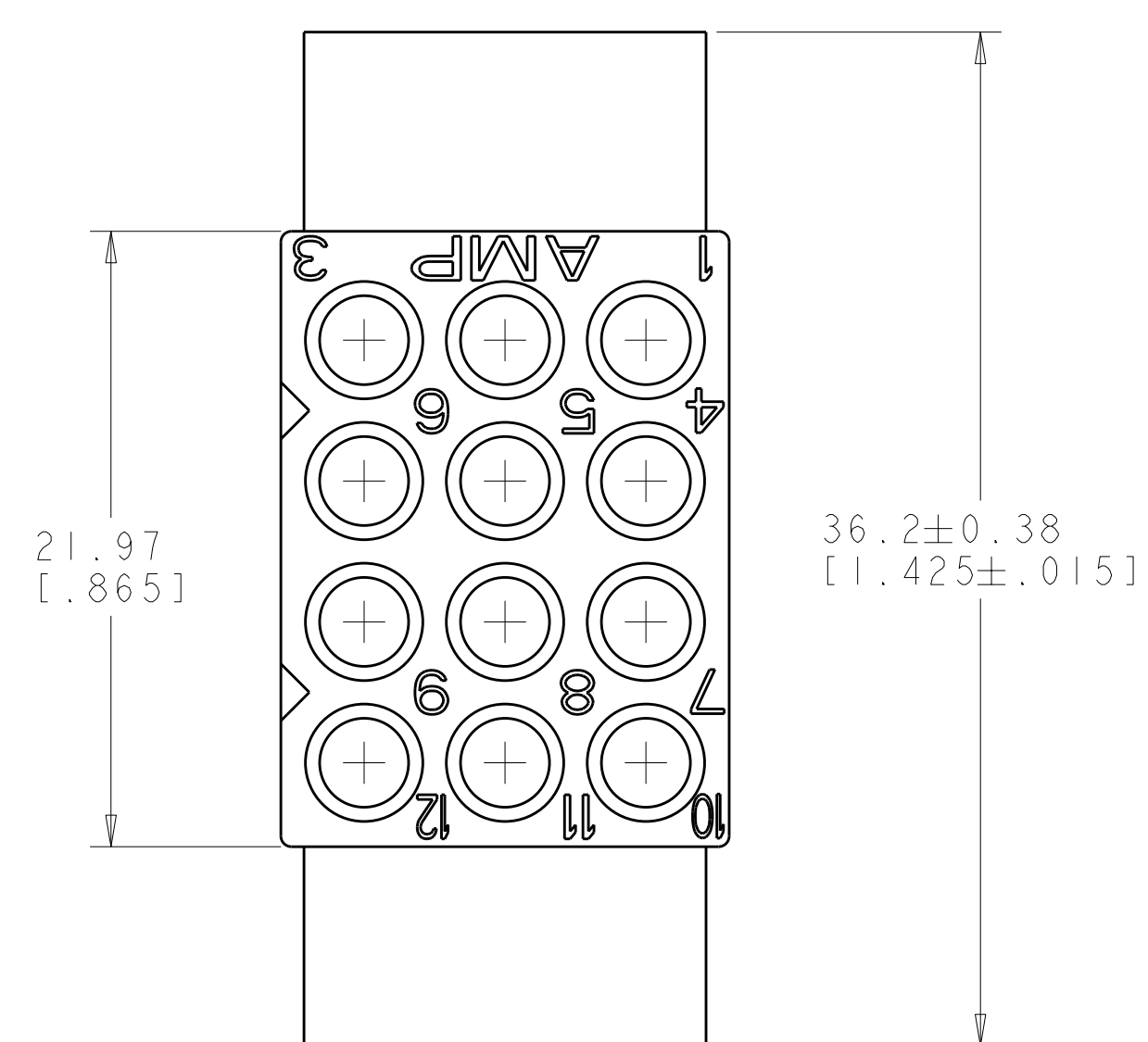
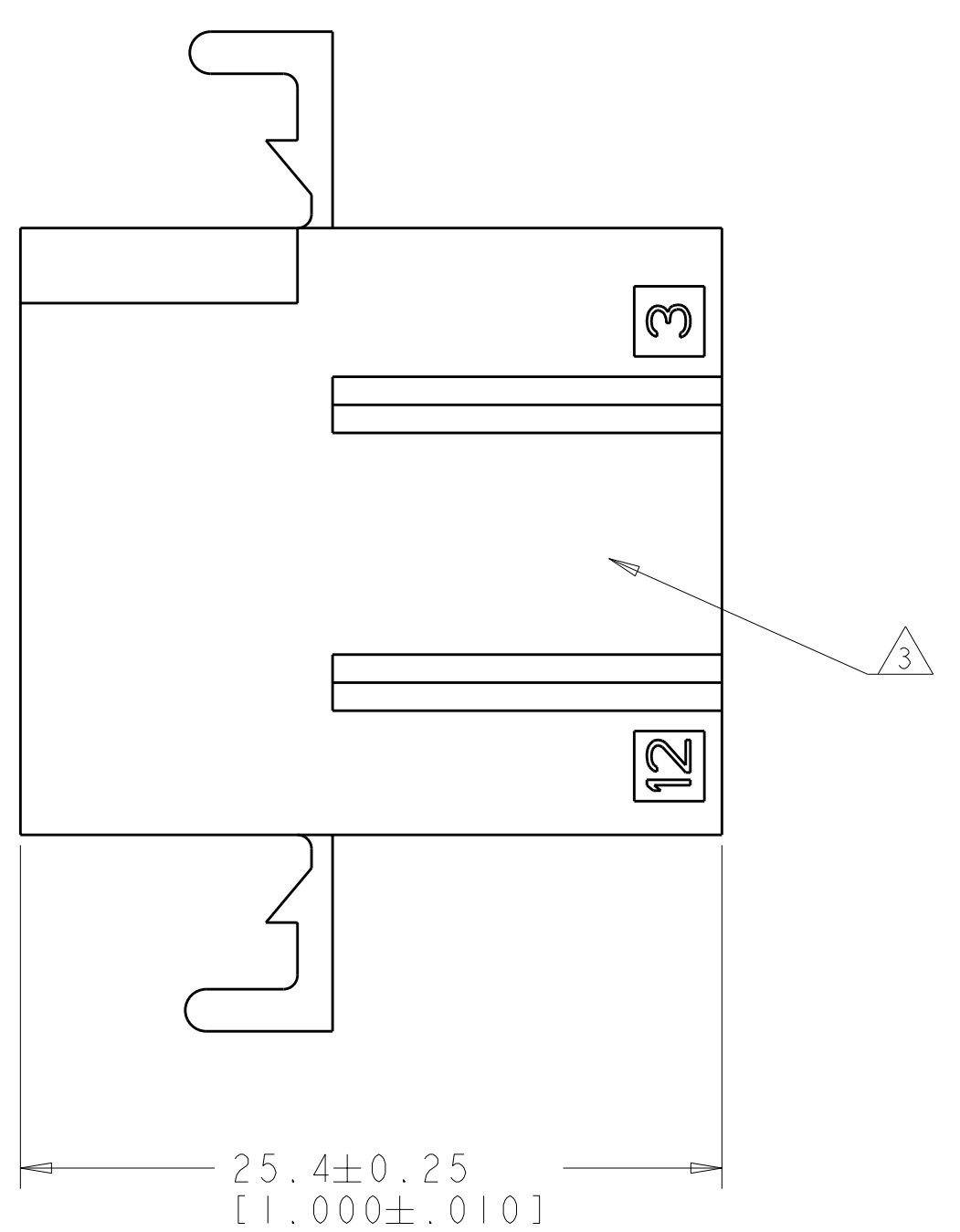
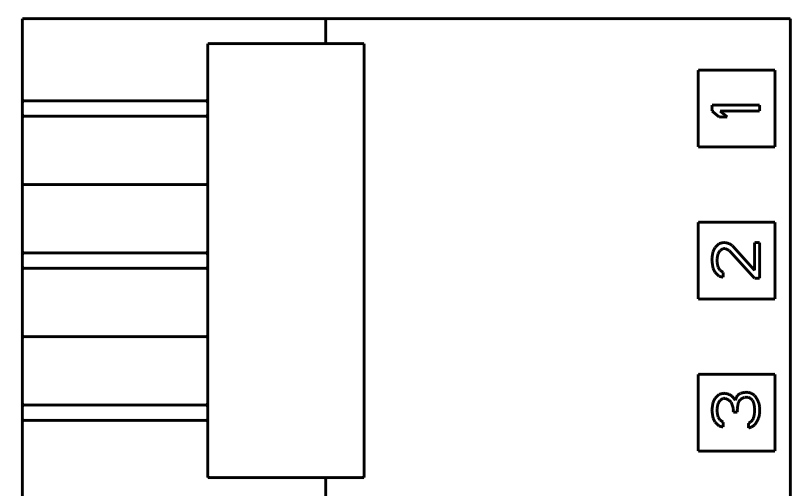
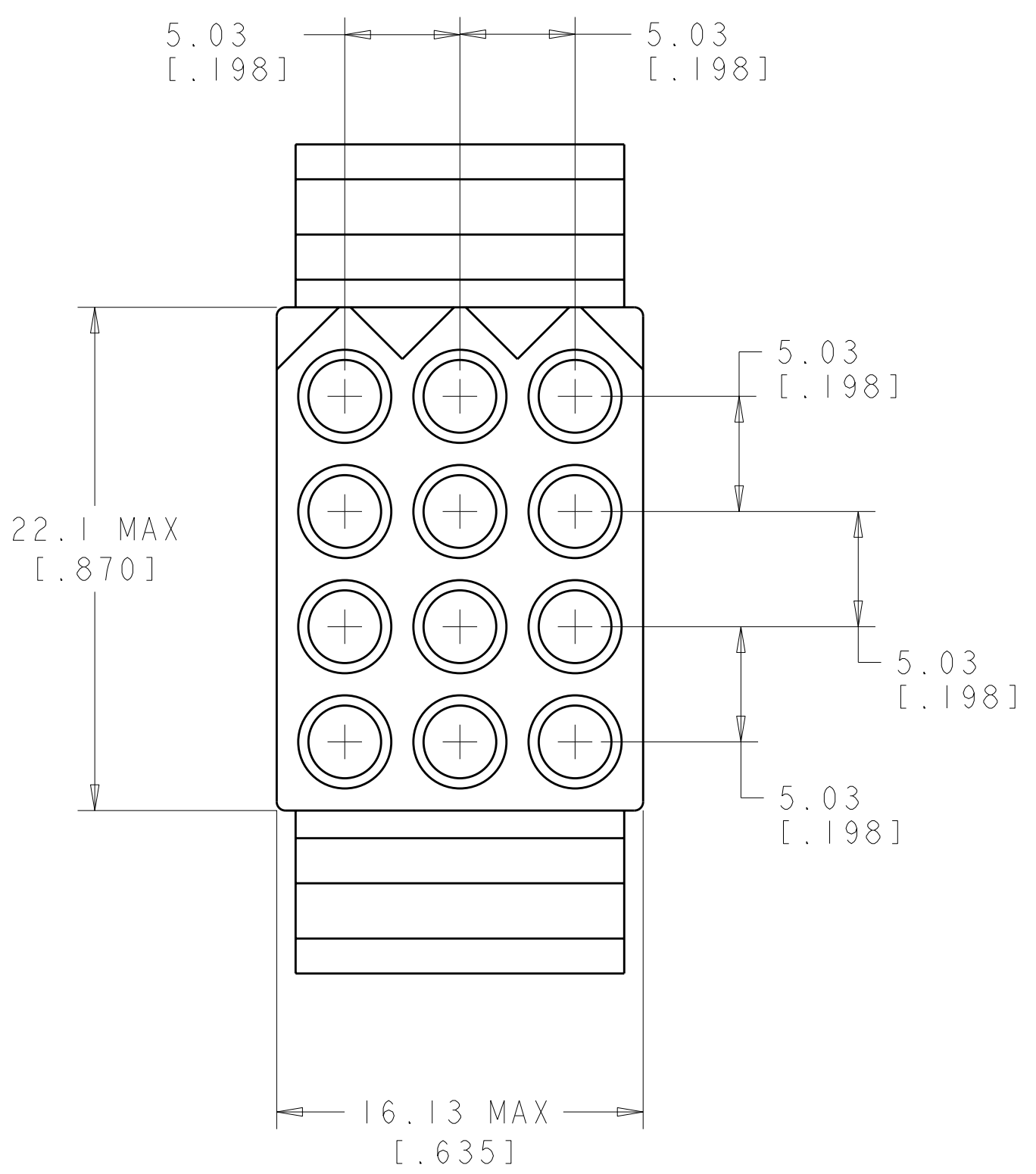


| LOC | DIST | REV | DATE | BY | CHK | APPV |
|-----|------|-----|-----------|----|-----|------|
| CM | 00 | F | 28AUG2007 | KW | CC | |

- 1 MATERIAL: NYLON UL94V-2 (NATURAL).
- 2. RECOMMENDED PANEL THICKNESS 2.29 [1.090] MAX.
- 3 MARKING FOR UL LOGO AND CSA LOGO LOCATED APPROXIMATELY AS SHOWN.



RECOMMENDED PANEL CUTOUT



| | |
|-----------------------|-------------|
| 0.571 IN ³ | 770097-1 |
| VOLUME | PART NUMBER |

| | | | | | |
|---|--|--|--|--|--|
| DIMENSIONS: mm [INCHES] TOLERANCES UNLESS OTHERWISE SPECIFIED: 9 PLC ± 1 PLC ± 5 PLC ±0.13(.005) 4 PLC ± ANGLES ± | | DWN R. WHITAKER 28AUG2007 CHK C. CASH 28AUG2007 APPV C. CASH 28AUG2007 | | Tyco Electronics Harrisburg, PA 17105-3608 | |
| MATERIAL: | | FINISH: | | NAME: RECEPTACLE, 12 CIRCUIT, .093 COMMERCIAL PIN AND SOCKET | |
| CUSTOMER DRAWING | | WEIGHT: | | SIZE: A 00779 C=770097 | |
| SCALE: 4:1 | | SHEET: 1 OF 1 | | REV: F | |