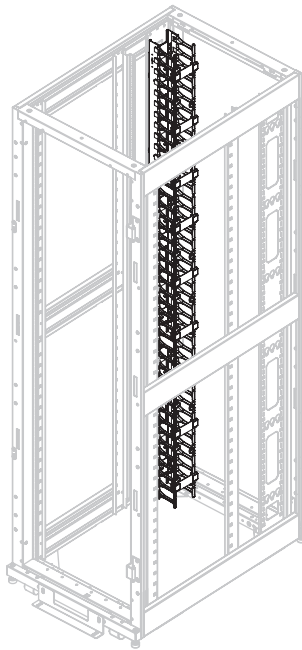


MODEL:

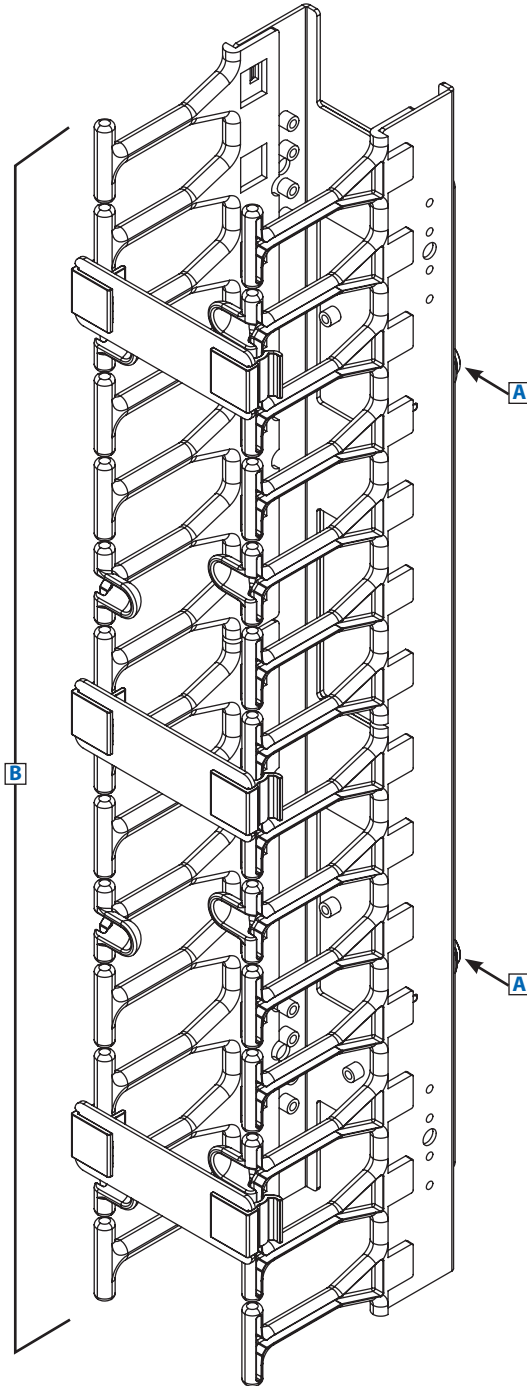
SRCABLEVRT3

3" Wide Vertical Cable Manager (Double Finger Duct Type)

- A** Toolless Mounting Buttons
- B** Three Piece Design
(Split into three 2-foot sections)



SRCABLEVRT3 organizes cables and helps eliminate cable stress. It is compatible with most standard 19" enclosures and open frame racks. Includes mounting hardware.



Specifications

Model	SRCABLEVRT3
Unit Dimensions (H x W x D)	4.39 x 5.31 x 24.45 in (111.5 x 135 x 621.03 mm)
Shipping Dimensions (H x W x D)	4.92 x 8.07 x 24.8 in (125 x 205 x 629.9 mm)
Unit Weight	5 lb (2.27 kg)
Shipping Weight	11 lb (4.99 kg)
Regulatory Compliance	Meets RoHS standards

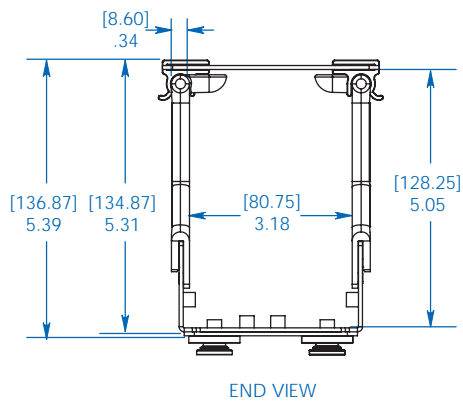
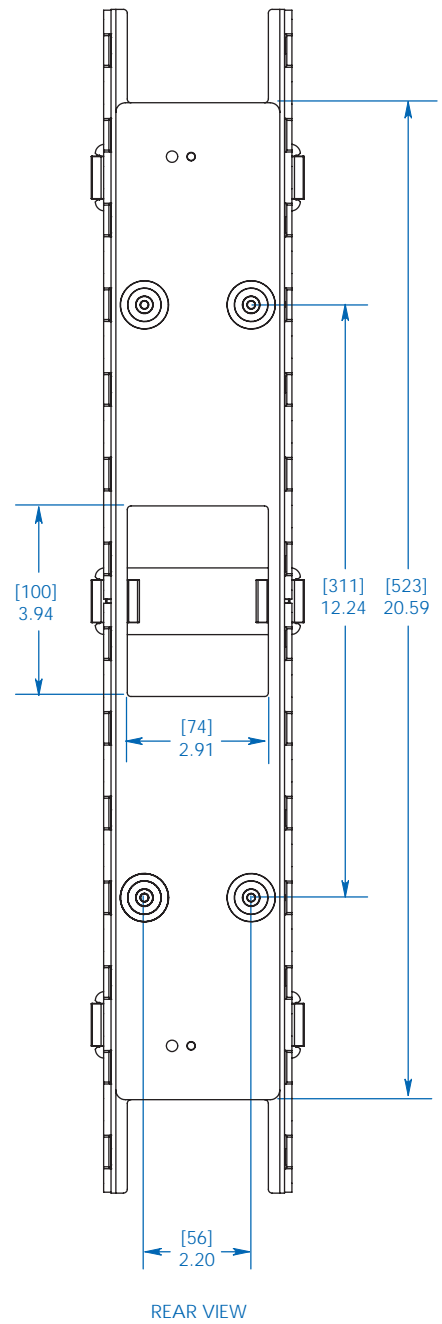
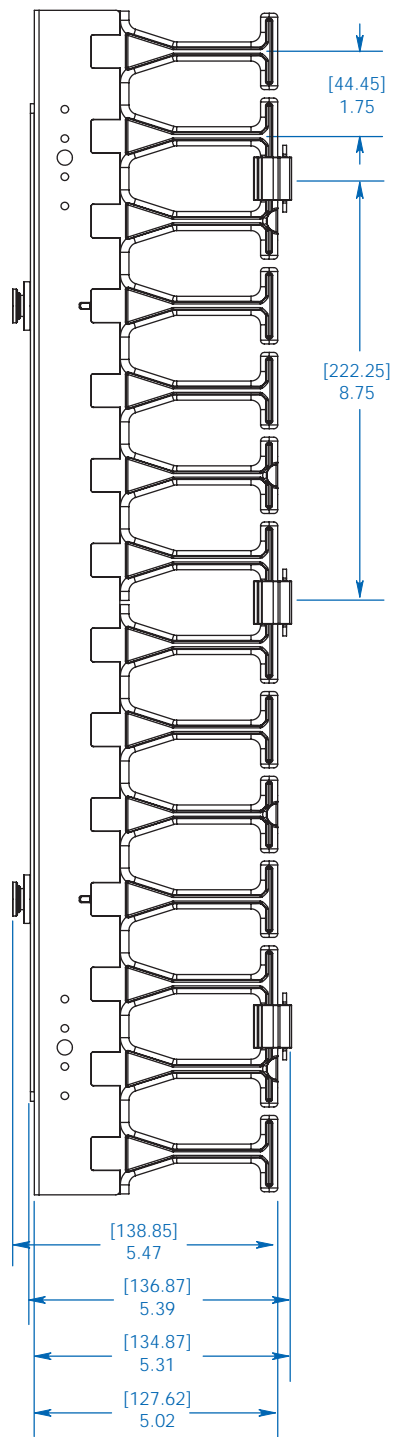
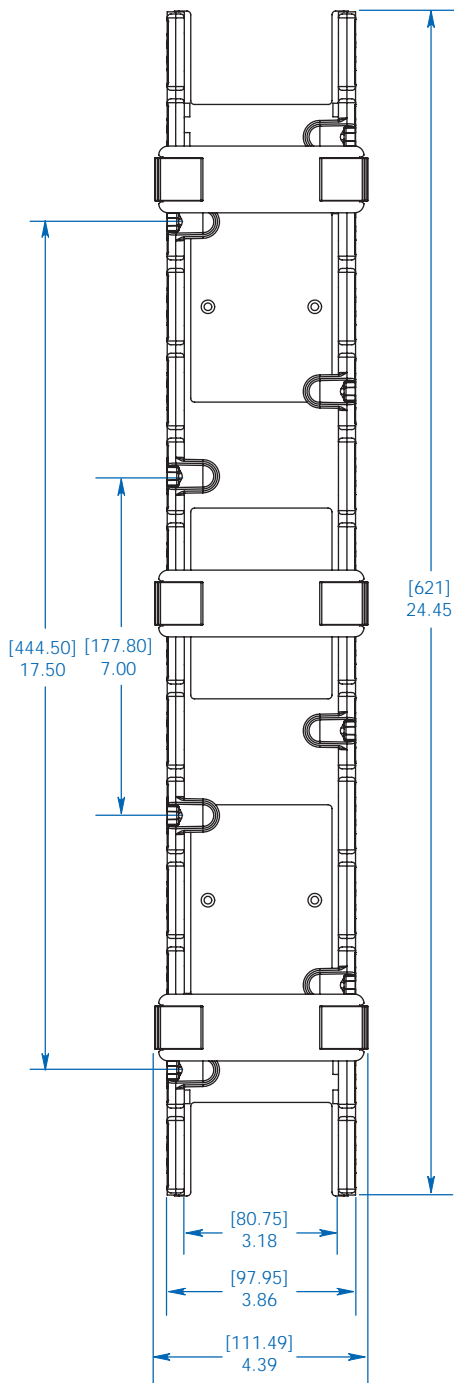
Tripp Lite has a policy of continuous improvement. Specifications are subject to change without notice.



SEE NEXT PAGE FOR DETAILED UNIT MEASUREMENTS



1111 W. 35th Street
Chicago, IL 60609 USA
773.869.1234
www.tripplite.com



Dimensions: [mm] INCHES

Tripp Lite has a policy of continuous improvement. Specifications are subject to change without notice.

MODEL:
SRCABLEVRT3
TRIPP·LITE

1111 W. 35th Street
Chicago, IL 60609 USA
773.869.1234
www.tripplite.com