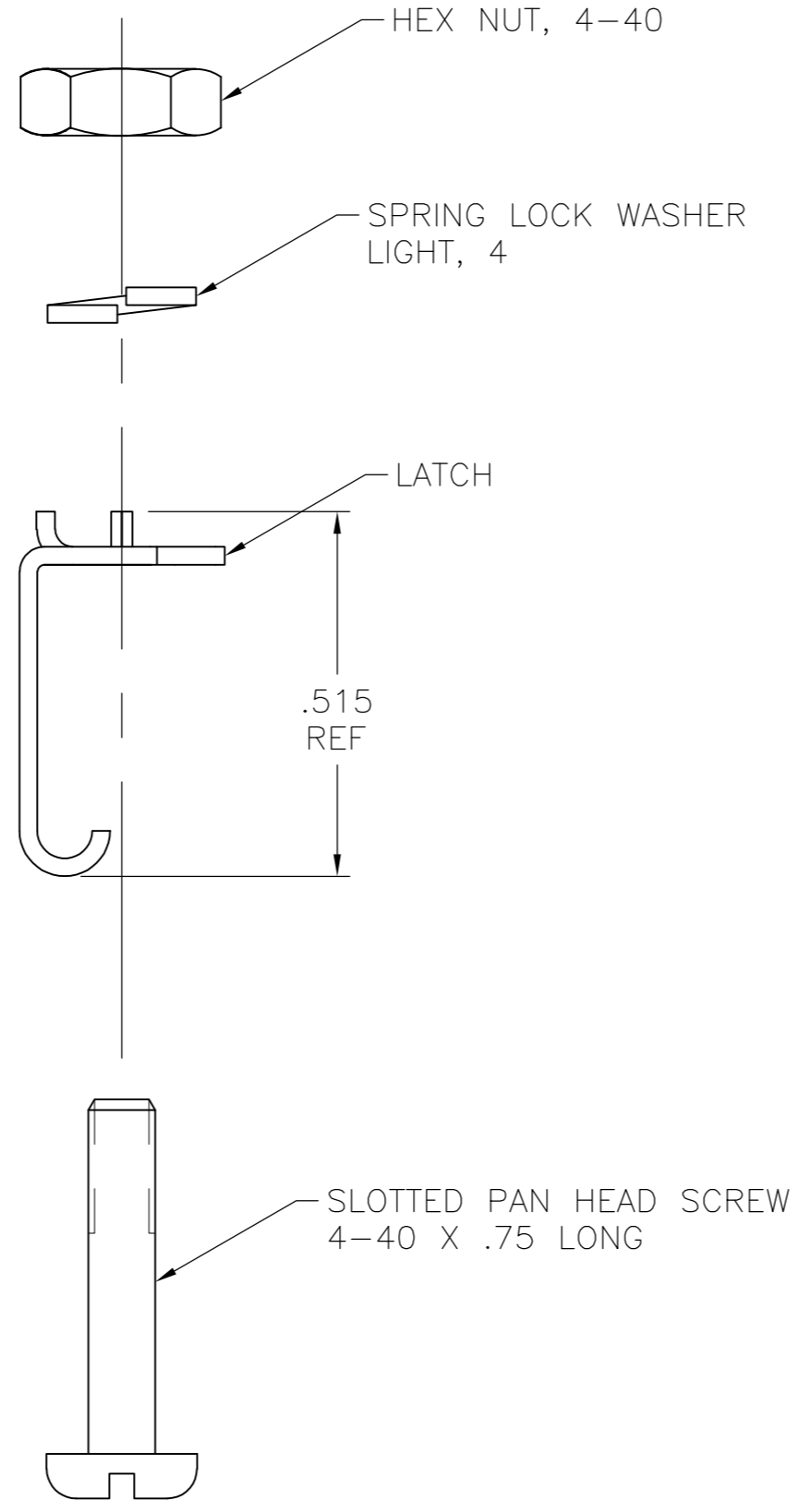
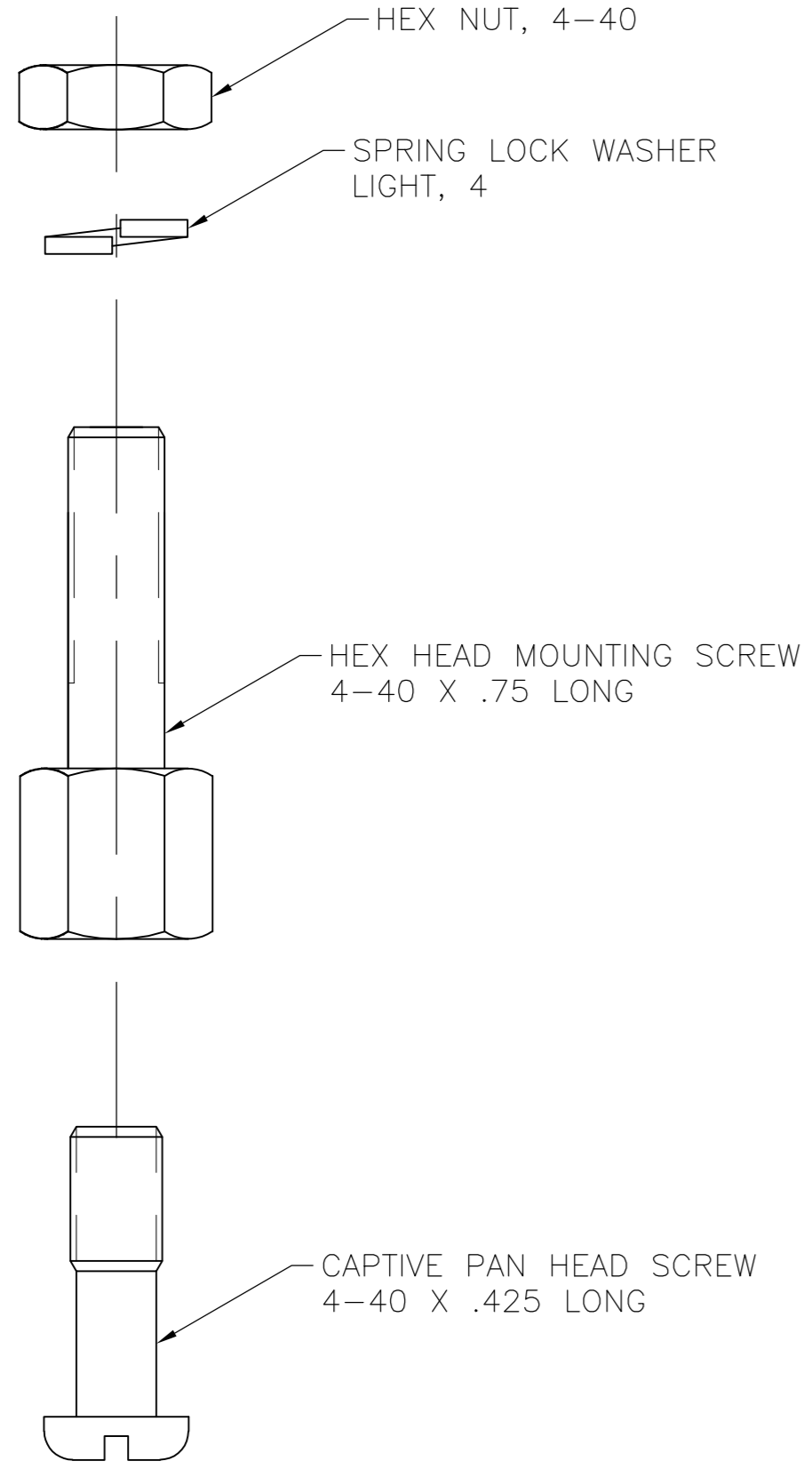


THIS DRAWING IS UNPUBLISHED. RELEASED FOR PUBLICATION
 © COPYRIGHT - By - ALL RIGHTS RESERVED.

LOC	DIST	REVISIONS			
P	LTR	DESCRIPTION	DATE	DWN	APVD
GP	00				
	A	REVISED PER ECO-13-000050	09JAN2013	CJV	PAR

1 MATERIAL:
 CAPTIVE PAN HEAD SCREW: ZINC PLATED STEEL.
 HEX HEAD SCREW: BRASS WITH NICKEL PLATE.
 ALL OTHER HARDWARE: PASSIVATED STAINLESS STEEL.



5552690-1
 PART NUMBER

THIS DRAWING IS A CONTROLLED DOCUMENT. DIMENSIONING AND TOLERANCING PER ASME Y14.5M-2009		DWN B. MCMASTER 30SEP05	TE Connectivity	
DIMENSIONS: INCHES		CHK W. MILLHIMES 30SEP05	NAME	
TOLERANCES UNLESS OTHERWISE SPECIFIED:		APVD W. MILLHIMES 30SEP05	HARDWARE KIT, VERTICAL MOUNTING CHAMP	
0 PLC ± -		PRODUCT SPEC	SIZE	RESTRICTED TO
1 PLC ± -		APPLICATION SPEC	CAGE CODE	
2 PLC ± -		WEIGHT	DRAWING NO	
3 PLC ± -			A2 00779	
4 PLC ± -			C=5552690	
ANGLES ± -		CUSTOMER DRAWING	SCALE	SHEET
FINISH			4:1	1 of 1
1				REV A