

Standard PM Step Motors

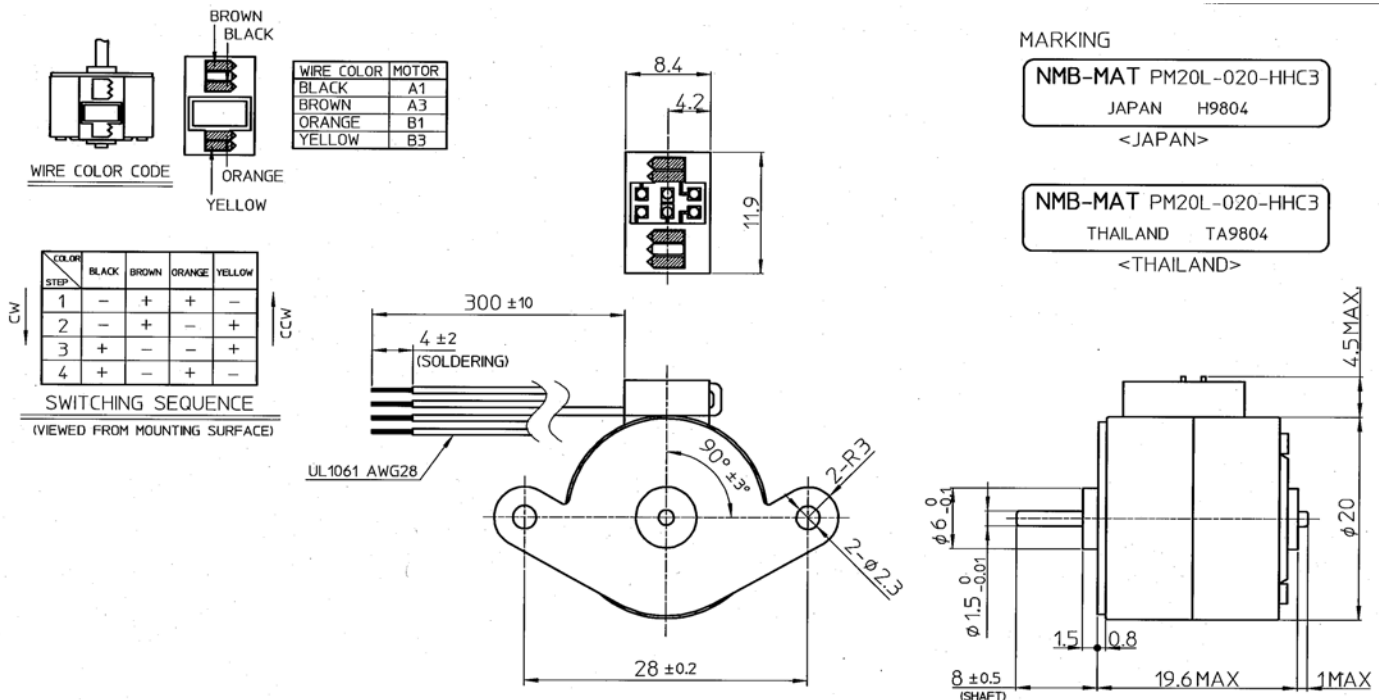
PM20L-020-HHC3

Step Angle: 18°

Model Specifications

Model:	PM20L-020-HHC3
Shaft Length:	8mm
Wire Length:	300mm fly lead (no connector)
Wire Holder:	90 deg. Left
Front Plate:	FPH
Electrical:	24V, 400mA
	Bipolar Constant Current
	13 ohms, MS70A

Unit: mm





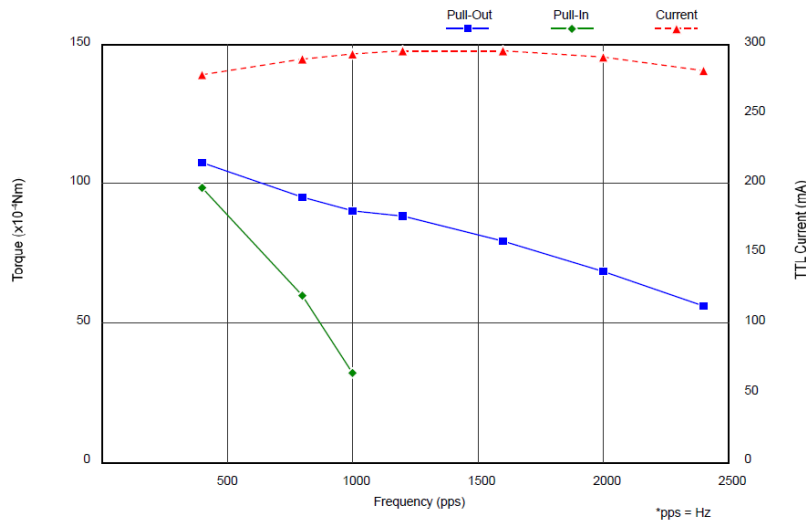
Standard PM Step Motors

PM20L-020-HHC3

DYNAMIC TORQUE CHARACTERISTICS (No. 62888)

(ALL VALUES ARE GAINED BY MEASUREMENT AND NOT SPECIFICATIONS VALUES)

Model : PM20L-020-HHC3
 Drive Mode : BIPOLAR CHOPPER
 Drive Voltage : 24.0 V
 Method : 2-2P
 Drive IC : UDN2916B-V
 Surge/Current : / 400 mA / Phase (Peak)
 Coil Resistance : 13.0 Ω
 Magnet Material : MS70A
 Stator Material : SUY/SPC(Ni)



(TTL Current = Over all current drawn by the driver)

Frequency (pps)	400	800	1000	1200	1600	2000	2400
■ Pull-Out (x10 ⁻⁴ Nm)	107.5	95.1	90.2	88.5	79.2	68.5	55.9
◆ Pull-In (x10 ⁻⁴ Nm)	98.3	59.8	32.0				
▲ Current (mA)	278	289	293	295	295	291	281

Minebea Motor Manufacturing Corporation