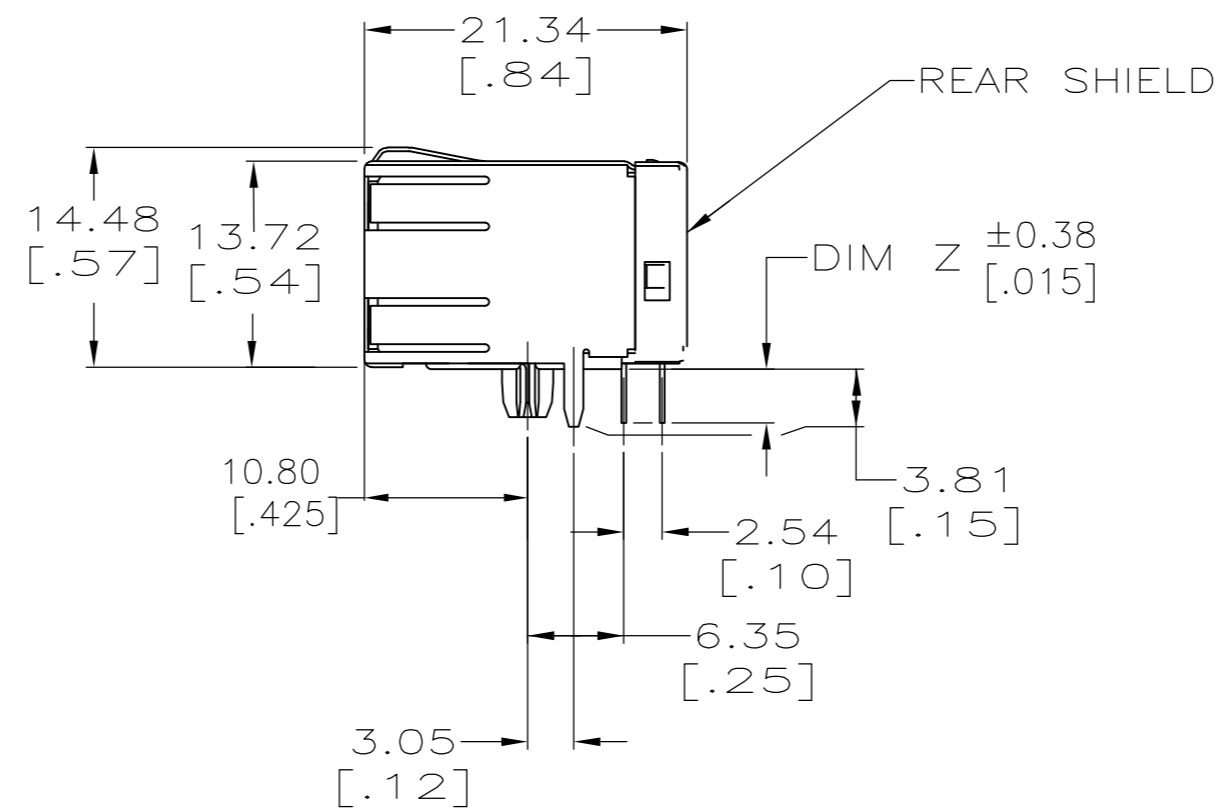
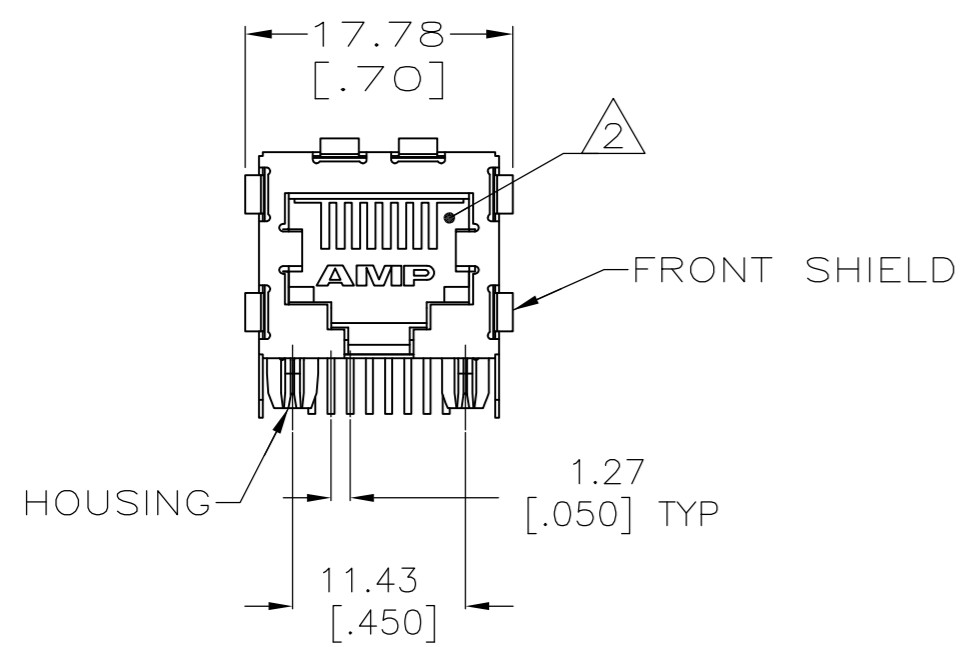
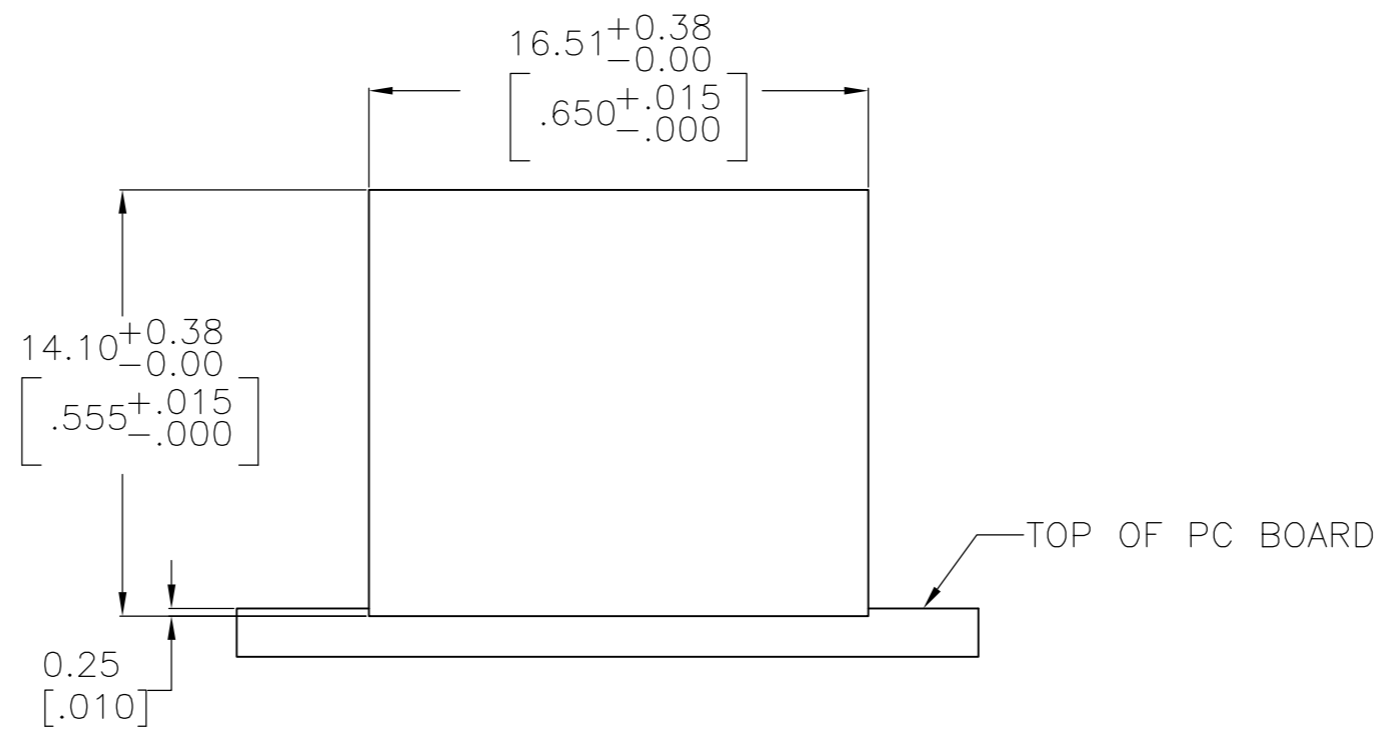
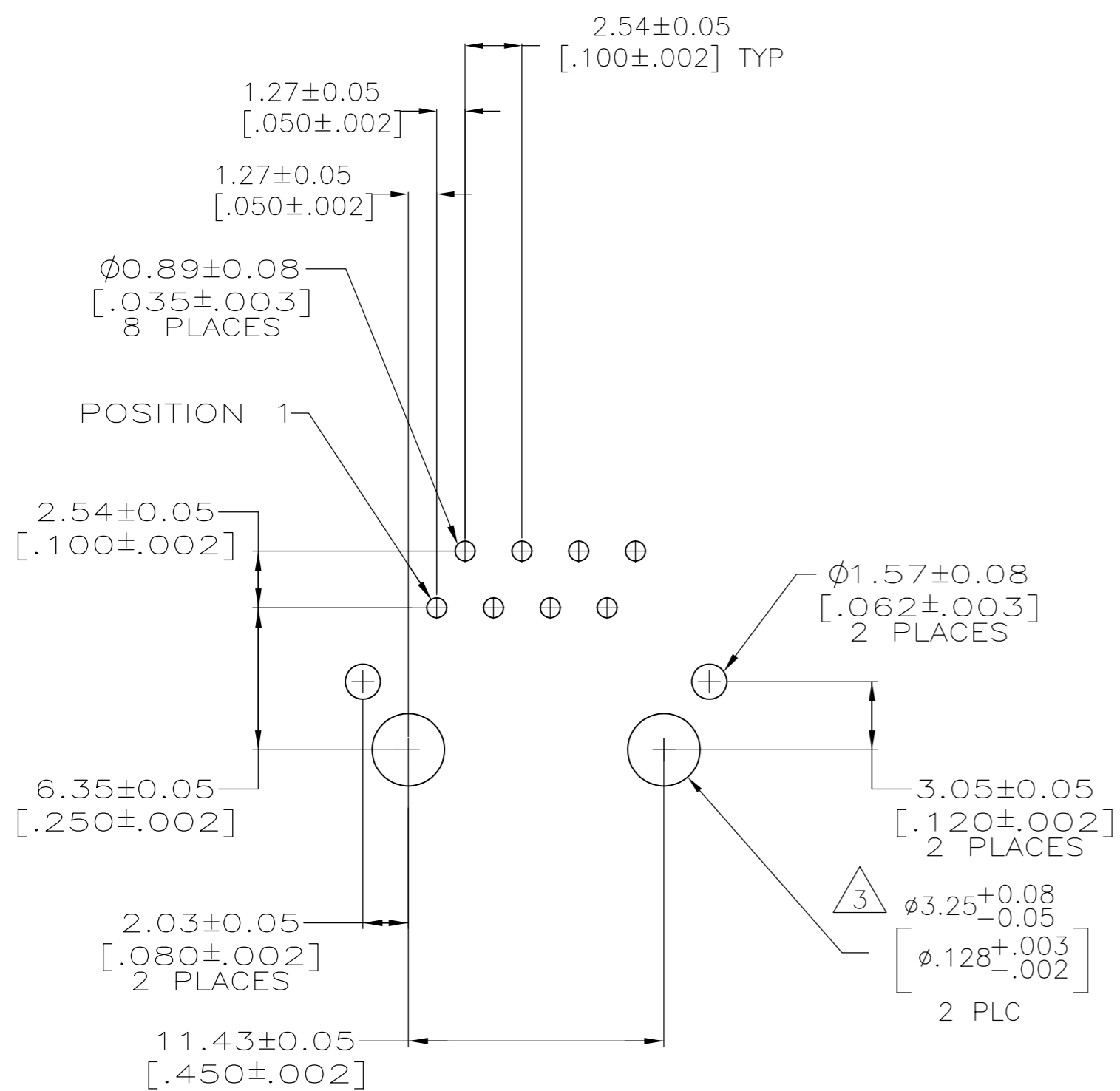


THIS DRAWING IS UNPUBLISHED. RELEASED FOR PUBLICATION  
 © COPYRIGHT - By - ALL RIGHTS RESERVED.

LOC		DIST		REVISIONS			
P	LTR	DESCRIPTION	DATE	DWN	APVD		
AA	00	C2	REVISED PER ECO-11-005033	26MAR11	RK	HMR	



- MATERIAL: HOUSING - NYLON, COLOR: BLACK, UL 94V-0. OVERMOLDED TERMINAL ARRAY - PBT, COLOR: BROWN. TERMINALS - 0.33 [.013] THICK PHOS BRONZE PLATED WITH 1.27 μm [.000050] MINIMUM THICK HARD GOLD IN LOCALIZED AREA AND 3.81 μm [.000150] MINIMUM THICK MATTE TIN IN SOLDER AREA OVER 1.27 μm [.000050] MINIMUM THICK NICKEL UNDERPLATE. SHIELDS - 0.25 [.010] THICK COPPER ALLOY PLATED WITH 1.27 μm [.000050] MINIMUM NICKEL AND 2.03 μm [.000080] MINIMUM HOT TIN DIP ON PCB GROUND TABS.
- JACK CAVITY CONFORMS TO FCC RULES AND REGULATIONS, PART 68 SUBPART F.
- USE #30 DRILL BIT OR 3.25mm DRILL BIT WHEN PRODUCING THESE PCB HOLES.
- DIELECTRIC WITHSTANDING VOLTAGE BETWEEN SHIELD AND TERMINAL IS 1500 VAC



RECOMMENDED PANEL CUTOUT  
 SCALE 4:1

RECOMMENDED PC BOARD LAYOUT  
 COMPONENT SIDE  
 SCALE 4:1

3.05 [.120]	1-5406299-1
3.56 [.140]	5406299-1
DIM. Z	PART NUMBER

THIS DRAWING IS A CONTROLLED DOCUMENT.		DWN	20APR2005	TE Connectivity	
		CHK	T. SPRINKLE/L.A.MAYER		
		APVD	J.WESTMAN		
		PRODUCT SPEC	S.FLICKINGER		
		APPLICATION SPEC	108-1163-2		
		WEIGHT	114-2048		
MATERIAL		FINISH	SEE NOTE 1	SIZE	RESTRICTED TO
SEE NOTE 1		SEE NOTE 1		A2	-
CUSTOMER DRAWING			SCALE	SHEET	REV
			2:1	1 of 1	C2