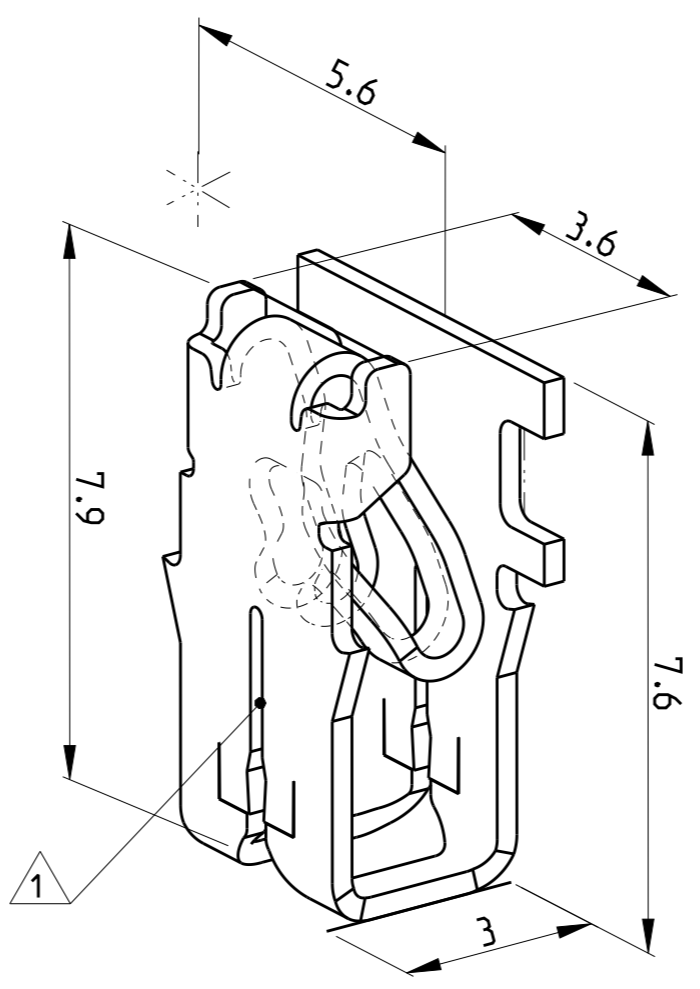
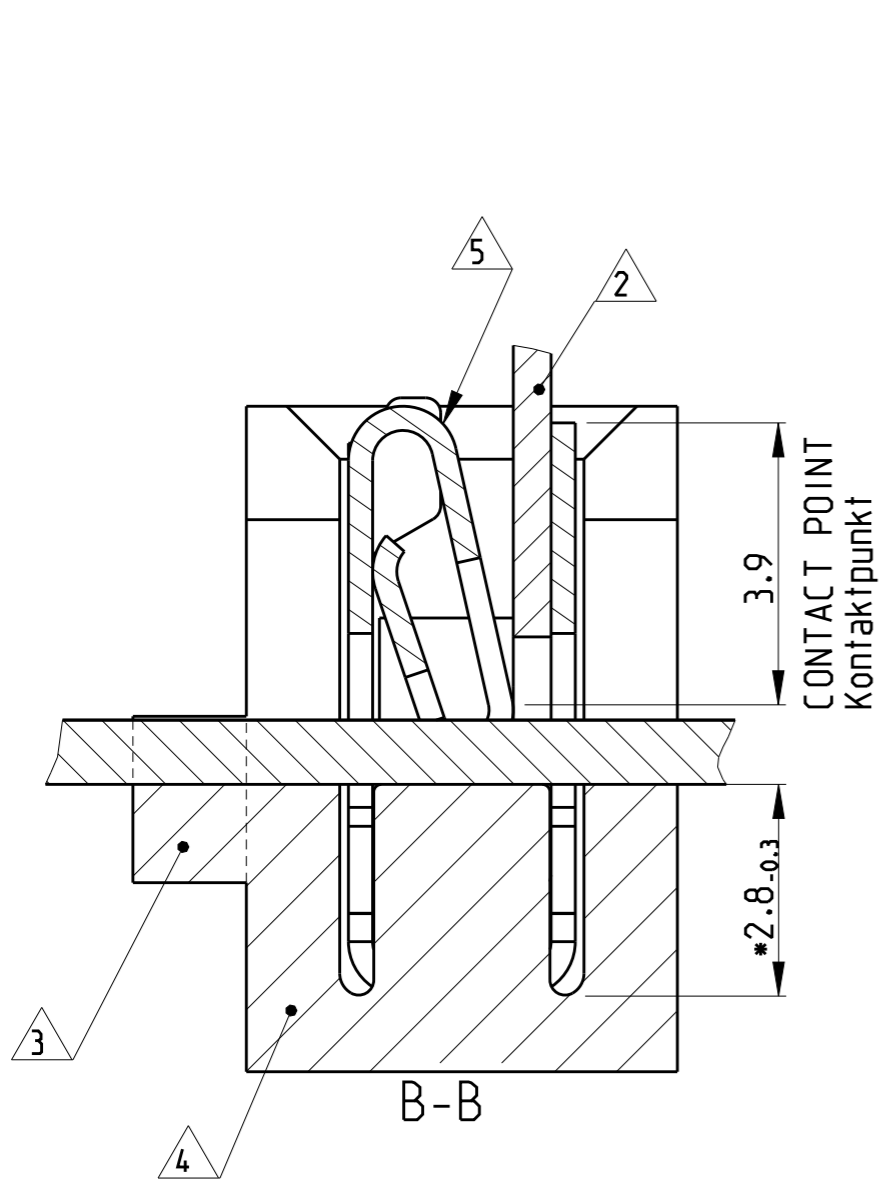
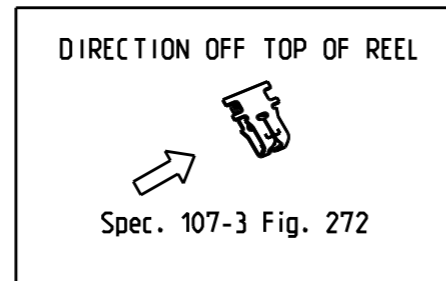


REVISIONS					
P	LTR	DESCRIPTION	DATE	DWN	APVD
E1		DWG adapted/note 4 changed	04-02-2009	DZ	TK
E2		ECR-09-011231	19MAY2009	SRE	PCH
E3		REVISED PER ECR-16-008608	14 JUN2016	NK	PKS



- △ 1 SLOT ACCEPTS:
SINGLE OR DOUBLE MAGNET WIRE
(0.63)..0.65...0.85mm DIA
Kontakt geeignet fuer :
Lackdraht, Einzeldraht und Doppeldraht
Ø(0.63)..0.65...0.85 mm
- △ 2 POKE IN TAB TERMINAL 3.4x0.5mm
Poke in Flachstecker 3.4x0.5mm
- △ 3 AREA WILL BE CUT BY TERMINATION
Bereich wird beim Kontaktieren abgetrennt
- △ 4 CAVITY ACCORDING TO TE SPEC. 411-18512
Kontakt Kammer nach TE Spec. 411-18512
- △ 5 IDENTIFICATION NO. FOR MAGNET WIRE RANGE (20)
Kennziffer fuer Lackdrahtbereich (20)

1394759-5	-	CuNiSi	TIN PLATED	MAG MATE LEAF TERMINAL	-
1394759-3	-	CuZn	PRE TINNED	MAG MATE LEAF TERMINAL	-
1394759-2	-	CuNiSi	PRE TINNED	MAG MATE LEAF TERMINAL	-
1394759-1	-	CuNiSi	BLANK	MAG MATE LEAF TERMINAL	-
PART NO	PCS.	MATERIAL	SURFACE COLOUR	DESCRIPTION	ITEM NO



THIS DRAWING IS A CONTROLLED DOCUMENT.

DIMENSIONS: mm	TOLERANCES UNLESS OTHERWISE SPECIFIED: n. ISO 8015, n. ISO 2768- mt-E n. DIN 16901-110	DWN H. ATZMANN 04-01-01	TE Connectivity NAME MAG MATE LEAF TERMINAL MARK II
	0 PLC ± 1 PLC ± } 0.2 mm 2 PLC ± 3 PLC ± 4 PLC ± ANGLES ±1°	CHK H. Plößer 04-01-01	
MATERIAL SEE TABLE	FINISH SEE TABLE	APVD -	PRODUCT SPEC 108-2012
			APPLICATION SPEC 114-2046
			WEIGHT -
			SIZE A3
			CAGE CODE 00779
			DRAWING NO C-1394759
			RESTRICTED TO -
			CUSTOMER DRAWING
			SCALE 10:1
			SHEET 1 OF 1
			REV E3