

# Panel mounting frames - VS-08-A-RJ45/MOD-1-R-1P67 - 1689844

Please be informed that the data shown in this PDF Document is generated from our Online Catalog. Please find the complete data in the user's documentation. Our General Terms of Use for Downloads are valid (<http://download.phoenixcontact.com>)



RJ45 panel mounting frame, IP67, for modular socket inserts (Keystone), for round panel cutout, with grommet, with thread and union nut, color: gray



## Key commercial data

Packing unit	1
Minimum order quantity	1
Catalog page	Page 289 (PC-2011)
GTIN	 4 017918 970802
Custom tariff number	85389099
Country of origin	GERMANY

## Technical data

### Mechanical characteristics

Number of slots	1
Insertion/withdrawal cycles	≥ 1000
Color	gray
Ambient temperature (operation)	-40 °C ... 80 °C

### Material data

Inflammability class according to UL 94	V0
Housing material	PA
Material	Plastic
Sealing material	NBR
Seal material	NBR
Degree of protection	IP67

### Electrical characteristics

Pollution degree	2
------------------	---

# Panel mounting frames - VS-08-A-RJ45/MOD-1-R-1P67 - 1689844

## Classifications

### eclass

eCl@ss 4.0	27140816
eCl@ss 4.1	27260701
eCl@ss 5.0	27260701
eCl@ss 5.1	27260701
eCl@ss 6.0	27260705
eCl@ss 7.0	27440309

### etim

ETIM 2.0	EC000764
ETIM 3.0	EC001121
ETIM 4.0	EC001121

### unspsc

UNSPSC 6.01	31261501
UNSPSC 7.0901	31261501
UNSPSC 11	31261501
UNSPSC 12.01	31261501
UNSPSC 13.2	31261501

## Accessories

### Accessories

#### Female insert

RJ45 female insert - VS-08-BU-RJ45/KA/LSA - 1689459



RJ45 socket insert, modular (Keystone), CAT5e, 8-pos., shielded, with cable connection (LSA), for solid wires AWG 26 ... 22

RJ45 female insert - VS-08-BU-RJ45/BU - 1689064



RJ45 socket insert, modular (Keystone), CAT5e, 8-pos., shielded, socket on socket

## Panel mounting frames - VS-08-A-RJ45/MOD-1-R-1P67 - 1689844

### Accessories

RJ45 female insert - VS-08-BU-RJ45-6/KA/LSA - 1653168



RJ45 socket insert, modular (Keystone), CAT6, 8-pos., shielded, with cable connection (LSA), for litz and solid wires AWG 26 ... 22

---

RJ45 female insert - VS-08-BU-RJ45-6-MOD/BU - 1653155



RJ45 socket insert, modular (Keystone), CAT6 (Link test), 8-position, shielded, socket on socket

---

RJ11 socket insert - VS-RJ11-BU-MOD/BU - 1656356



Socket insert RJ11, modular system (Keystone), 6-pos., unshielded

---

### Protective covers

Protective covers - VS-08-SD - 1689200



Protective cover, IP67, tall design

---

Protective covers - VS-08-SD-F - 1652606



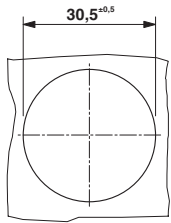
Protective cover, IP67, flat design, to cover the contact insert in the panel mounting frame, color: gray

---

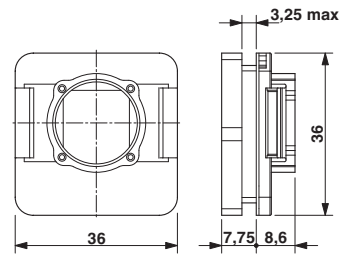
### Drawings

# Panel mounting frames - VS-08-A-RJ45/MOD-1-R-1P67 - 1689844

Dimensioned drawing



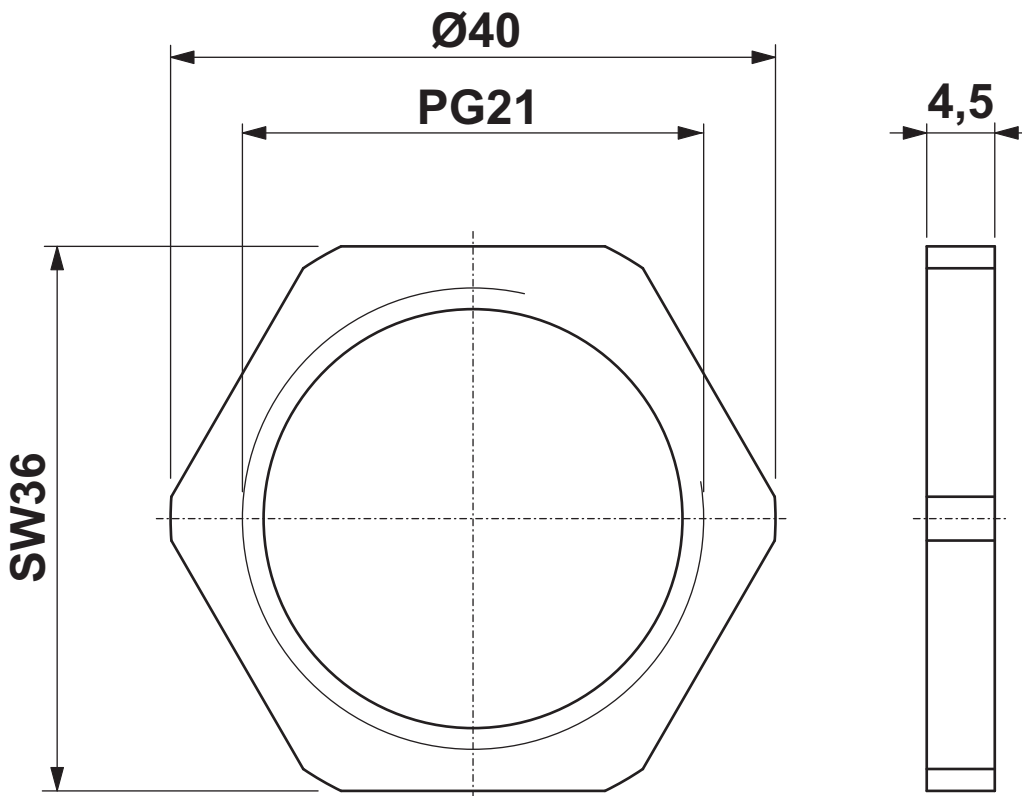
Dimensioned drawing



RJ45 panel mounting frame, IP67

Panel cutout

Dimensioned drawing



Union nut