

2008/12/09 04:02:48 CAROL, TRIBBLE

DRAWING FOR REFERENCE: This is subject to change without notice

TO
Q1

COUNT	DESCRIPTION OF REVISIONS	BY	CHKD	DATE	COUNT	DESCRIPTION OF REVISIONS	BY	CHKD	DATE
△					△				
△					△				

APPLICABLE STANDARD		RECOGNIZED COMPONENT OF UL1863								
RATING	OPERATING TEMPERATURE RANGE	-25 °C TO 60 °C				STORAGE TEMPERATURE RANGE	-25 °C TO 60 °C			
	VOLTAGE	RJ-12 : AC 125V				CURRENT	RJ-12 : 0.5A			
		OUTERPOWER JACK:DC10.5V					OUTER POWER JACK: 2A			

SPECIFICATIONS

ITEM	TEST METHOD	REQUIREMENTS	QT	AT
------	-------------	--------------	----	----

CONSTRUCTION				
GENERAL EXAMINATION	VISUALLY AND BY MEASURING INSTRUMENT.	ACCORDING TO DRAWING.	○	○
MARKING	CONFIRMED VISUALLY.		○	○

ELECTRIC CHARACTERISTICS

CONTACT RESISTANCE	100 mA (DC OR 1000 Hz AC). MEASUREMENT POINTS SHALL BE AS FOLLOWS.	RJ-12: 200 mΩ MAX. OUTERPOWER JACK 100 mΩ MAX	○	○
	<p>(ONE EXAMPLE OF CONNECTOR CONFIGURATION IS SHOWN.)</p>			
INSULATION RESISTANCE	100 V DC.	100 MΩ MIN.	○	○
VOLTAGE PROOF	500 V AC FOR 1 min.	① NO FLASHOVER OR BREAKDOWN.	○	○

MECHANICAL CHARACTERISTICS

MECHANICAL OPERATION	200 TIMES INSERTIONS AND EXTRACTION'S.	① CONTACT RESISTANCE: RJ-12 220 mΩ MAX. OUTERPOWER JACK 100 mΩ MAX. ② NO DAMAGE, CRACK AND LOOSENESS, OF PARTS.	○	—
VIBRATION	FREQUENCY: 10 TO 55 Hz, SINGLE AMPLITUDE: 0.75 mm, AT 2 h, FOR 3 DIRECTIONS.	① NO ELECTRICAL DISCONTINUITY OF 5 μs.	○	—
SHOCK	490 m/s ² DIRECTIONS OF PULSE 11 ms AT 3 TIME FOR 3 DIRECTIONS.	② CONTACT RESISTANCE: RJ-12 220 mΩ MAX OUTERPOWER JACK 100 mΩ MAX.. ③ NO DAMAGE, CRACK AND LOOSENESS, OF PARTS.	○	—
INSERTION AND WITHDRAWAL FORCES (APPLIED OUTER POWER JACK9)	MEASURED WITH THE BELOW STEEL GAUGE THE EXTERNAL DIAMETER φ 4.8±0.06 THE INTERNAL DIAMETER φ 1.75±0.06	① MUST BE GRATIFIED WITH BELOWS INSERTION FORCE 5 TO 20 N WITHDRAWAL FORCE 4 TO 15 N	○	—

REMARKS	DRAWN	DESIGNED	CHECKED	APPROVED	RELEASED
---------	-------	----------	---------	----------	----------

Unless otherwise specified, refer to JIS C 5402.	J. Watanabe	J. Watanabe	H. Miura	H. Miura	
	'05.11.14	'05.11.14	'05.11.14	'05.11.14	

Note QT:Qualification Test AT:Assurance Test ○:Applicable Test		PART NO. TM5RT-1208PWJ(50)	
HRS HIROSE ELECTRIC CO., LTD.	SPECIFICATION SHEET	CODE NO. CL 222 - 4106-7-50	1/2
CODE NO.(OLD) CL	DRAWING NO. ELC4 - 122834-01	CODE NO. CL 222 - 4106-7-50	1/2



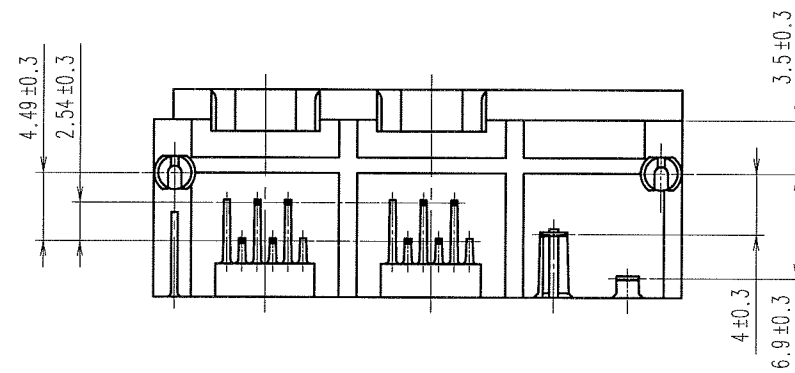
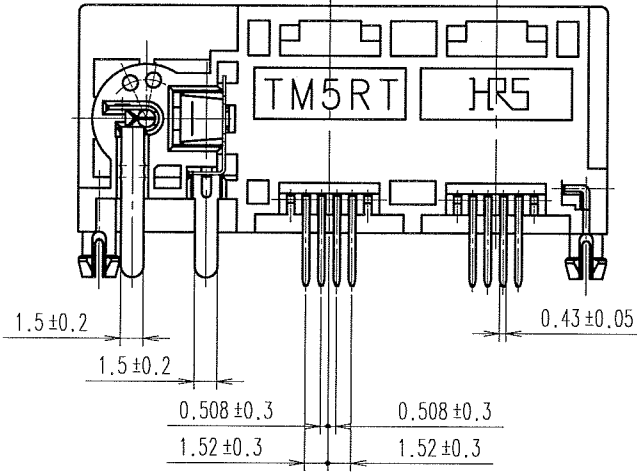
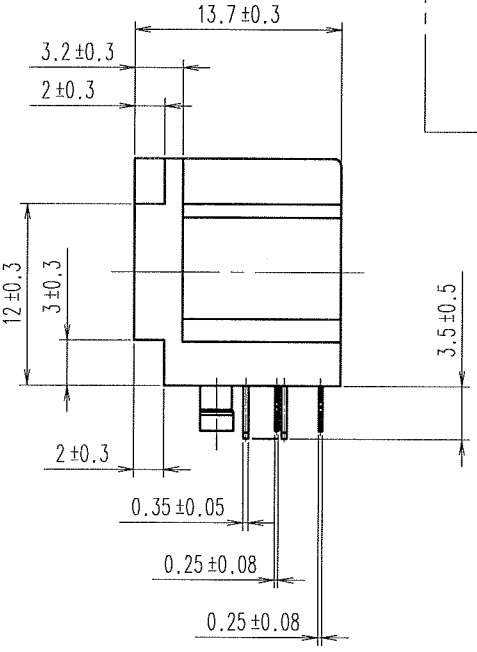
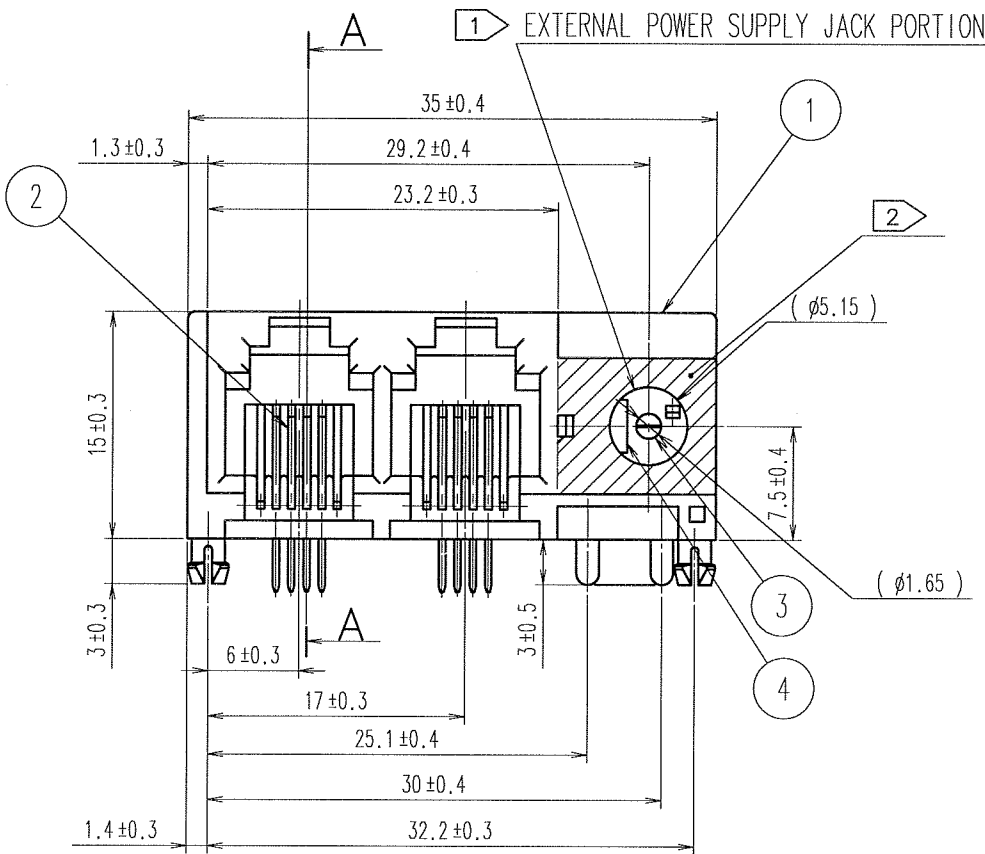
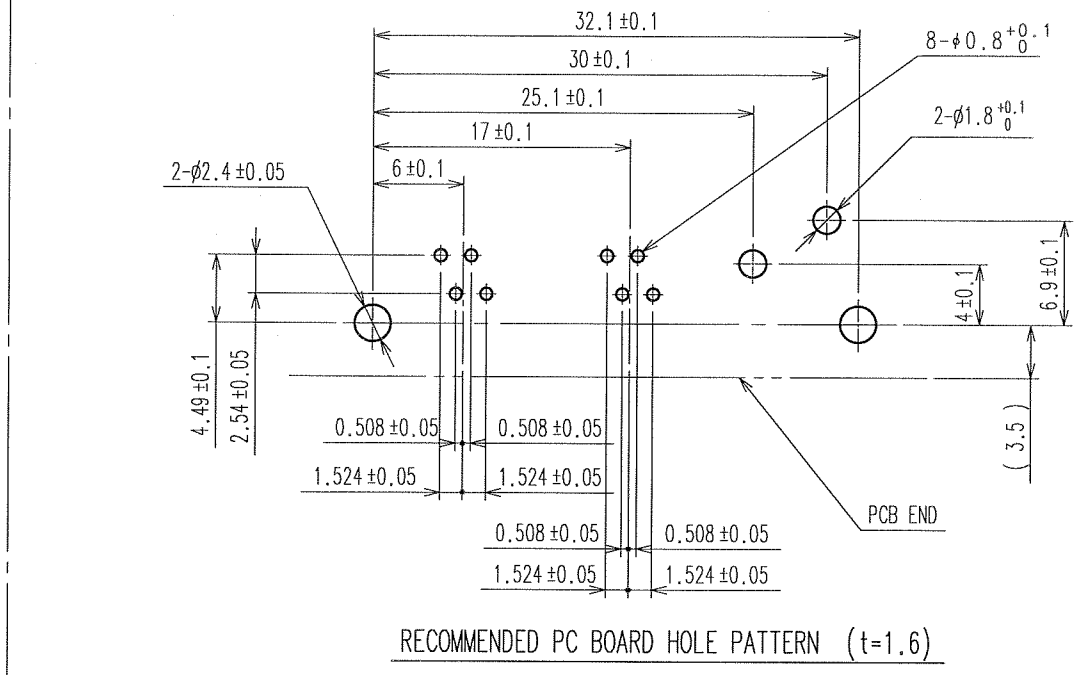
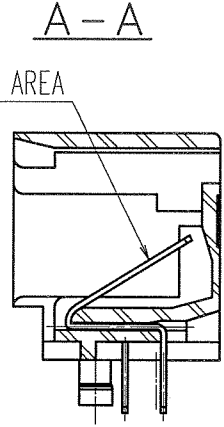
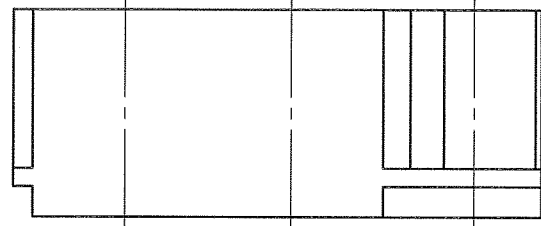
DRAWING FOR REFERENCE: This is subject to change without notice

SPECIFICATIONS

ITEM	TEST METHOD	REQUIREMENTS	QT	AT		
DAMP HEAT (STEADY STATE)	EXPOSED AT 40 °C, 90 TO 95 %, 500 h.	① CONTACT RESISTANCE: RJ-12 220 mΩ MAX. OUTERPOWER JACK 100 mΩ MAX. ② INSULATION RESISTANCE: 1 MΩ MIN. (AT HIGH HUMIDITY) ③ INSULATION RESISTANCE: 10 MΩ MIN. (AT DRY) ④ NO DAMAGE, CRACK AND LOOSENESS, OF PARTS.	○	—		
RAPID CHANGE OF TEMPERATURE	TEMPERATURE -55±3 →5 TO 35→85±2→5 TO 35°C TIME 30 TO 35 →5 MAX→30 TO 35→ 5 MAX min UNDER 5 CYCLES.	① CONTACT RESISTANCE: RJ-12 220 mΩ MAX. OUTERPOWER JACK 100 mΩ MAX. ② INSULATION RESISTANCE: 100 MΩ MIN. ③ NO DAMAGE, CRACK AND LOOSENESS, OF PARTS.	○	—		
CORROSION SALT MIST	EXPOSED IN 5 % SALT WATER SPRAY FOR 48 h.	① CONTACT RESISTANCE: RJ-12 220 mΩ MAX. OUTERPOWER JACK 100 mΩ MAX. ② NO DAMAGE, CRACK AND LOOSENESS,	○	—		
RESISTANCE TO SOLDERING HEAT	SOLDER TEMPERATURE, 260±5 °C FOR IMMERSION, DURATION, 10±1 s. (WHEN USING FLOW SOLDER)	① NO DEFORMATION OF CASE AND EXCESSIVE LOOSENESS OF THE TERMINALS.	○	—		
SOLDER ABILITY	SOLDERED AT SOLDER TEMPERATURE, 235±5 °C FOR IMMERSION, DURATION 3 ±1s. (WHEN USING FLOW SOLDER)	① NO DEFORMATION IN APPEARANCE OR SOLDERIES ON CONTACT SURFACE ETC.	○	—		
REMARKS		DRAWN	DESIGNED	CHECKED	APPROVED	RELEASED
		<i>J. Watanabe</i>	<i>J. Watanabe</i>	<i>H. Miura</i>	<i>H. Miura</i>	
		'05.11.14	'05.11.14	'05.11.14	'05.11.14	
Unless otherwise specified, refer to JIS C 5402.						
Note QT:Qualification Test AT:Assurance Test O:Applicable Test						
HRS HIROSE ELECTRIC CO., LTD.		SPECIFICATION SHEET		PART NO. TM5RT-1208PWJ(50)		
CODE NO.(OLD) CL	DRAWING NO. ELC4-122834-01	CODE NO. CL 222 - 4106 - 7 - 5 0			2/2	

TO
Q1

COUNT	DESCRIPTION OF REVISIONS	BY	CHKD	DATE	COUNT	DESCRIPTION OF REVISIONS	BY	CHKD	DATE
△					△				
△					△				
△					△				



NOTE 1 APPLICABLE PLUG OF THE EXTERNAL POWER SUPPLY JACK PORTION IS IN ACCORDANCE WITH EIAJ.RC-5320 VOLTAGE CLASSIFICATION 3.
 2 HATCHING AREA IS ROUGHLY FINISHED.

NO.	MATERIAL	FINISH, REMARKS	NO.	MATERIAL	FINISH, REMARKS
2	PHOSPHOR BRONZE	SELECTIVE GOLD PLATING	4	COPPER ALLOY	SILVER PLATING
1	PBT	UL94V-0 BLACK	3	COPPER ALLOY	SILVER PLATING

CODE NO. (OLD) CL	DRAWN Y. Sato 05.10.04	DESIGNED T. Taniguchi 05.10.04	CHECKED Y. Enami 05.10.07	APPROVED X. Miwa 05.10.13	RELEASED
SCALE 2 : 1 UNITS mm	DRAWING NO. EDC3-122834-01	PART NO. TM5RT-1208PWJ (50)	CODE NO. CL222-4106-7-50	1/1	

TO
Q2