

## Distributor - SAC-ASI-J-Y-B-FFKDS - 1407579


Please be informed that the data shown in this PDF Document is generated from our Online Catalog. Please find the complete data in the user's documentation. Our General Terms of Use for Downloads are valid (<http://phoenixcontact.com/download>)



AS-Interface distributor, for a branch from two flat-ribbon conductors to two double spring-cage terminal blocks



### Key Commercial Data

Packing unit	1 STK
GTIN	 4 046356 779999
GTIN	4046356779999

### Technical data

#### Mechanical characteristics

Number of positions	4
Connection method	AS-i penetration technique
Conductor cross section	0.2 mm <sup>2</sup> ... 1.5 mm <sup>2</sup> 0.25 mm <sup>2</sup> ... 0.75 mm <sup>2</sup> (with ferrules)
Connection cross section AWG	24 ... 16 23 ... 18 (with ferrules)
Color	black
Tightening torque, min.	1.65 Nm
Degree of protection	IP20

#### Ambient conditions

Ambient temperature (operation)	-25 °C ... 75 °C (Plug / socket)
Ambient temperature (storage/transport)	-25 °C ... 85 °C

#### Material data

Housing material	PBT
Contact material	CuSn
Contact surface material	Au
Material	CuSn (Leg spring)

# Distributor - SAC-ASI-J-Y-B-FFKDS - 1407579

## Technical data

### Material data

	PA (Spring-cage terminal block housing)
	Tin-plated (Leg spring contact surface)

### Electrical characteristics

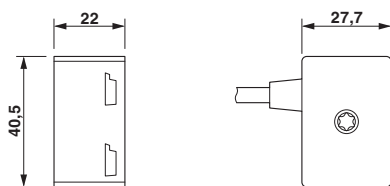
Rated voltage (III/3)	≤ 35 V
Rated current	≤ 6 A

### Pin assignment

Position = wire color (signal) = position (optional)	1+ (Spring connection)   AS-i+   3.1 (AS-i distributors)
	1- (Spring connection)   AS-i-   3.2 (AS-i distributors)
	2+ (Spring connection)   AS-i+   4.1 (AS-i distributors)
	2- (Spring connection)   AS-i-   4.2 (AS-i distributors)

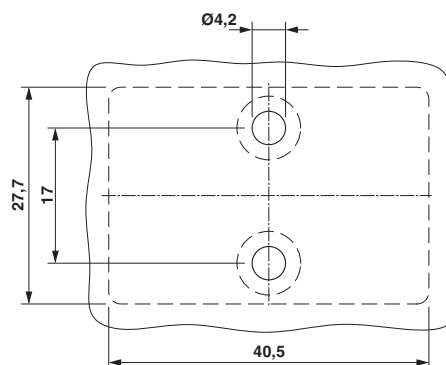
## Drawings

Dimensional drawing



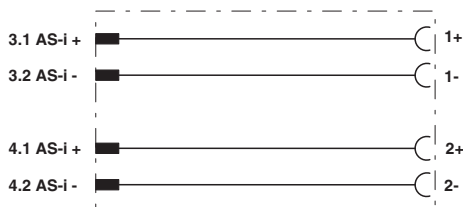
Distributor, AS-Interface

Dimensional drawing



Distance and position of the mounting holes

Circuit diagram



Contact assignment of the AS-Interface distributor

Phoenix Contact 2017 © - all rights reserved  
<http://www.phoenixcontact.com>

PHOENIX CONTACT GmbH & Co. KG  
Flachsmarktstr. 8  
32825 Blomberg  
Germany  
Tel. +49 5235 300  
Fax +49 5235 3 41200  
<http://www.phoenixcontact.com>