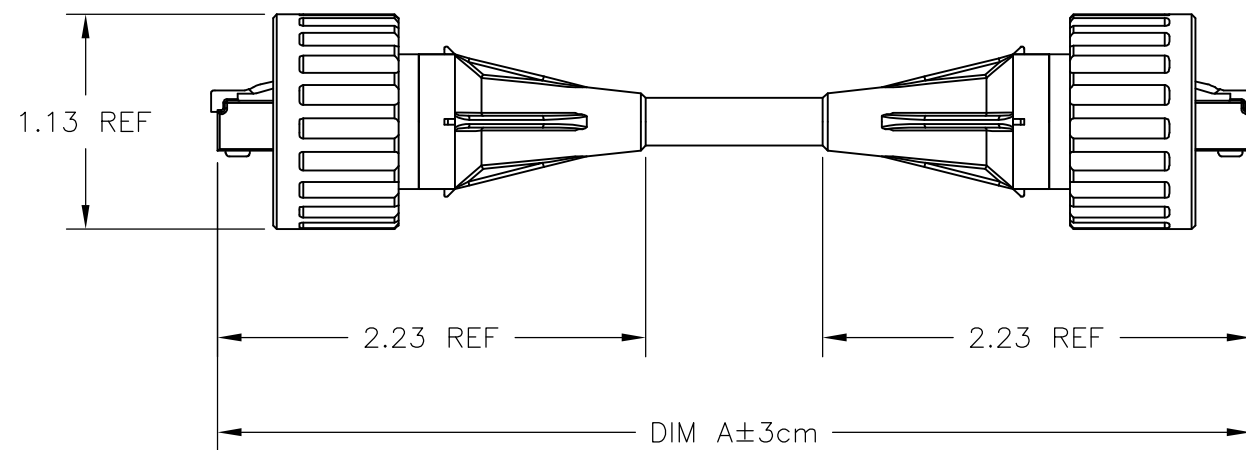

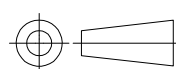


THIS DRAWING IS UNPUBLISHED. RELEASED FOR PUBLICATION
 © COPYRIGHT - By - ALL RIGHTS RESERVED.

LOC	DIST	REVISIONS			
P	LTR	DESCRIPTION	DATE	DWN	APVD
FT	0	G3	REVISED PER ECO-12-021870	14DEC12	KH MB



10 METERS	+39.69cm -0	1-1546452-6
31 METERS	+62.23cm -0	1-1546452-5
16 METERS	+62.23cm -0	1-1546452-4
8 METERS	+31.75cm -0	1-1546452-3
5 METERS	+16.51cm -0	1-1546452-2
2 METERS	+8.89cm -0	1-1546452-1
SUPERSEDED	31 METERS	1546452-5
SUPERSEDED	16 METERS	1546452-4
SUPERSEDED	8 METERS	1546452-3
SUPERSEDED	5 METERS	1546452-2
SUPERSEDED	2 METERS	1546452-1
DIM A		PART NO.

THIS DRAWING IS A CONTROLLED DOCUMENT.		DWN S SCHLEGEL 12NOV02	 TE Connectivity	
DIMENSIONS: INCHES		CHK H WAKEEM 11/12/02		
		APVD H WAKEEM 11/12/02	NAME INDUSTRIAL ETHERNET CORDSET, PROPLEX CABLE, DOUBLE ENDED INDUSTRIAL	
TOLERANCES UNLESS OTHERWISE SPECIFIED:		PRODUCT SPEC -	RESTRICTED TO -	
MATERIAL -		FINISH -	APPLICATION SPEC -	SIZE A3
		WEIGHT -	CAGE CODE 00779	DRAWING NO C-1546452
CUSTOMER DRAWING			SCALE NTS	SHEET 1 OF 1
			REV G3	