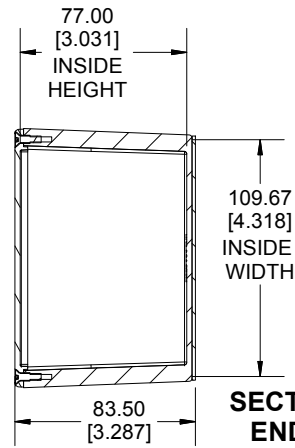
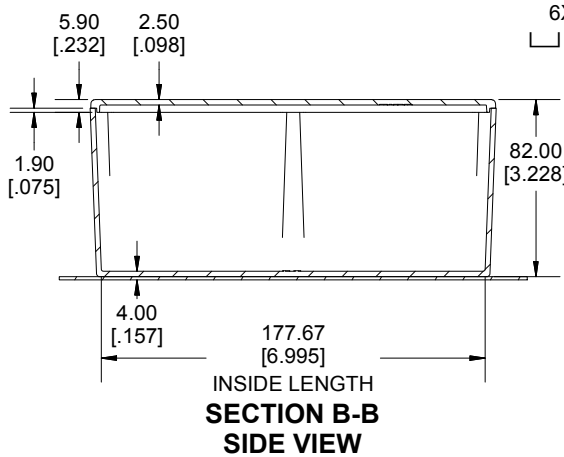
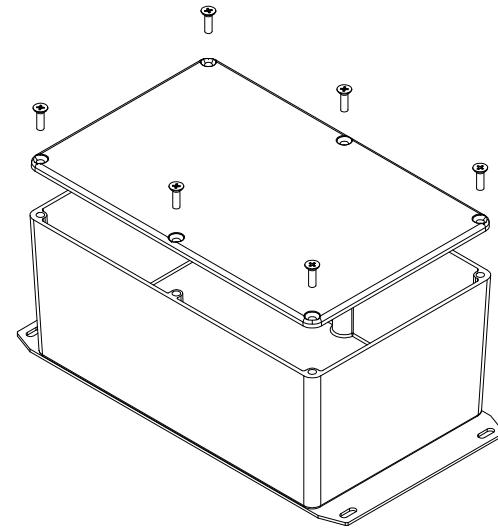


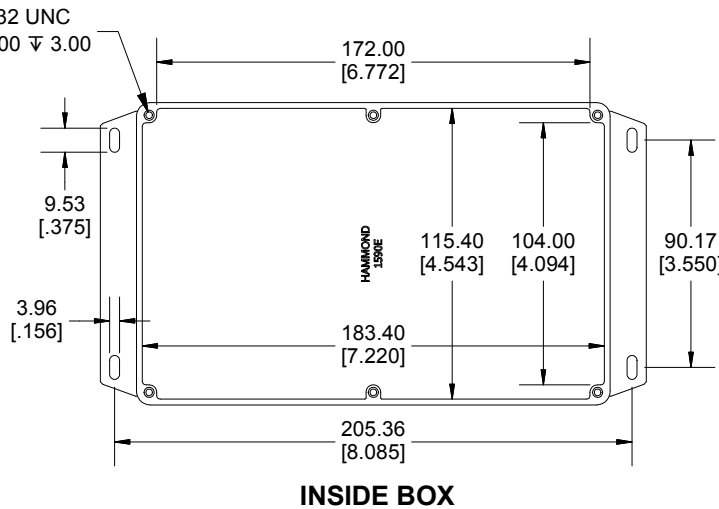
TOP VIEW



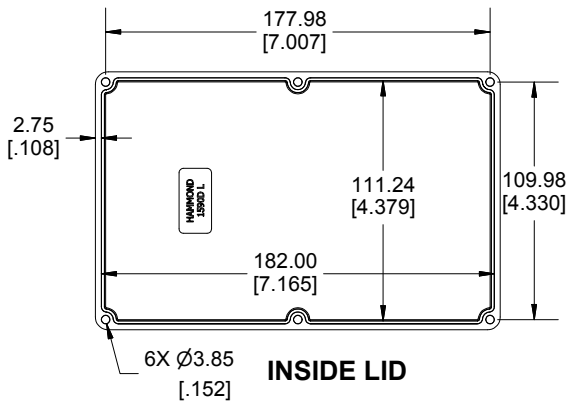
**SECTION A-A
END VIEW**



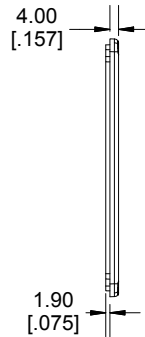
**SECTION B-B
SIDE VIEW**



INSIDE BOX



INSIDE LID



Enclosures can be Factory Modified (Milling, Drilling, Printing etc.)
Contact Factory mjm@hammondmfg.com for quotes
Solid models of this enclosure available in STEP or IGES.
(Part number and text placement/orientation on our products are subject to change,
we do not recommend using them as a locating reference for modification purposes)

NOTE

Purchased assembly includes box, lid and 6 cover screws.
Box and lid are made from Diecast Aluminum Alloy.
Silicone Gasket supplied with liquid resistant enclosure.
Bottom Flange is Welded.

Recommended Torque: 50-55 cN.m [71-78 ozf.in]

Recommended Torque with Gasket : 25-30 cN.m [36-43 ozf.in]

PART NUMBERS

| 1590EF Enclosure | |
|-----------------------------------------------------|-----------|
| Natural Finish Enclosure | 1590EF |
| Black Textured Enclosure | 1590EFBK |
| 1590EF Liquid Resistant Enclosure (Silicone Gasket) | |
| Natural Finish Enclosure | 1590WEF |
| Black Textured Enclosure | 1590WEFBK |

ACCESSORIES

Liquid Resistant Cover Screws

| | |
|---------------------------------------------------------------------------|--------------|
| Stainless Steel Cover Screws (Pkg 100) [6-32 x 1/2" With O-Ring] | 1590WMS100 |
| Black Stainless Steel Cover Screws (Pkg 100) [6-32 x 1/2" With O-Ring] | 1590WMS100BK |

Standard Cover Screws

| | |
|------------------------------------------------|-------------|
| Plated Cover Screws (Pkg 100) [6-32 x 1/2"] | 1590MS100 |
| Black Cover Screws (Pkg 100) [6-32 x 1/2"] | 1590MS100BK |

Dimensions:
mm
[inches]



**HAMMOND
MANUFACTURING®**

1590EF

www.hammondmfg.com