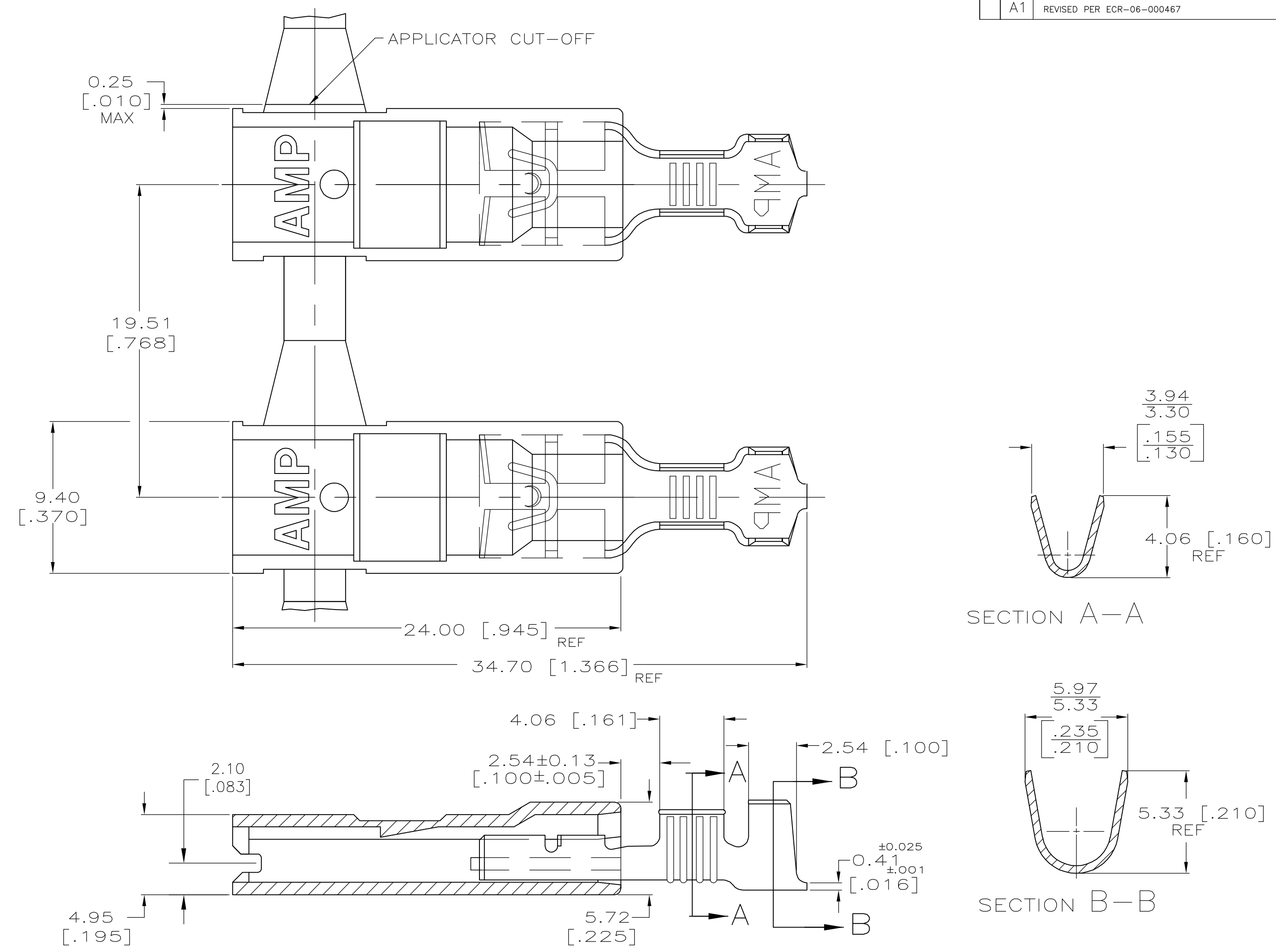


LOC	DIST	REVISIONS			
P	LTR	DESCRIPTION	DATE	DWN	APVD
AF	50	A1	REVISED PER ECR-06-000467	23MAY06	HMR GP



1 LOW-INSERTION FASTON TERMINALS, BASE P/N 63957, ARE USED IN THIS PRODUCT.

2 TIN PLATE PER .002032 [.000080] MIN PER MIL-T-10727.

TIN PLATE	2.79-4.32 [.110-.170] DIA	0.8-2.0 mm ² [18-14]	0.813 [.032]	521114-1
TERMINAL FINISH	INSULATION RANGE	WIRE SIZE	MATING TAB THK ±0.025 [±.001]	PART NO
THIS DRAWING IS A CONTROLLED DOCUMENT.		DWN JR RUTH 3/21/97	tyco Tyco Electronics Corporation Harrisburg, PA 17105-3608	
DIMENSIONS: mm [INCHES]		CHK MS FEHER 3/21/97	ASSEMBLY, ULTRA-POD, RECEPTACLE, 6.35 [.250] SERIES	
TOLERANCES UNLESS OTHERWISE SPECIFIED:		APVD J WORMAN 3/21/97	NAME	
0 PLC ± -	1 PLC ± -	PRODUCT SPEC 108-1285		
2 PLC ± -	3 PLC ± 0.25 [.010]	APPLICATION SPEC 114-2124		
4 PLC ± -	ANGLES ± -	SIZE CAGE CODE DRAWING NO RESTRICTED TO		
MATERIAL HOUSING - 6/6 NYLON TERMINAL - 4M HARD BRASS	FINISH HOUSING - NATURAL TERMINAL - SEE TABLE	WEIGHT -	A2 00779 C-521114	-
CUSTOMER DRAWING		SCALE 5:1	SHEET 1 of 1	REV A1