



# PRODUCT SPECIFICATION

**SPEC. No: W-1101-144**

**Attn:** \_\_\_\_\_

**DATE:** \_\_\_\_\_

CUSTOMER PRODUCT NAME:
TDK PRODUCT NAME: <b>WR221230-36M8-G</b>
APPROVED BY:
CUSTOMER COMMENT:
<b>REMARK:</b> Please sign back specification after customer confirmation until 2weeks. If customer can't sign back specification, customer should be approved TDK specification. Or TDK receive customer PO. TDK will deem that customer recognises TDK specification.

## **TDK Corporation**

### **Head Office Address:**

3-9-1, Shibaura, Minato-ku, Tokyo

108-0023 , Japan

### **SALES**

MANAGER	SALES

### **ENGINEERING**

APPROVED	CHECKED	ISSUED

Sales Office \_\_\_\_\_

Sales Tel. \_\_\_\_\_

PRODUCT	
---------	--

# REVISED HISTORY

CUSTOMER PRODUCT NAME: \_\_\_\_\_

TDK PRODUCT NAME: WR221230-36M8-G

NO.	REV.	REVISED CONTENT	REVISED REASON	DATE
1	0	To establish specification		2015.06.08
2	1	1.Change package method from Paper tray 2288pcs to PS tray 1800pcs.		2016.02.15

# PRODUCT SPECIFICATION

TDK PRODUCT NAME:

**WR221230-36M8-G**

SPEC. NO.

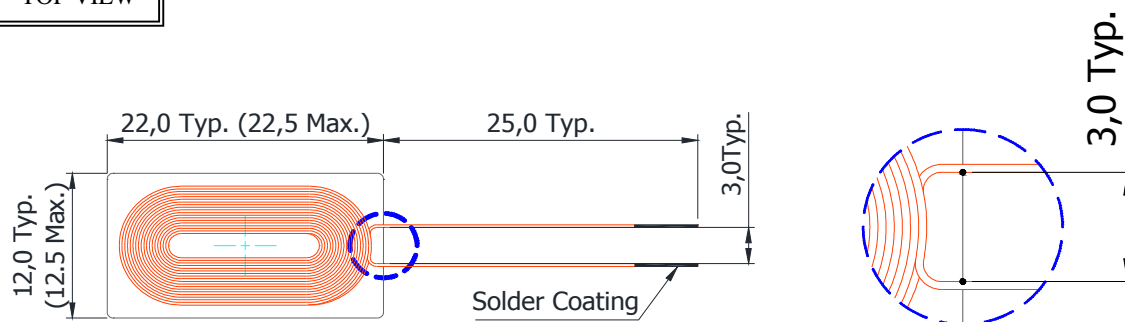
**W-1101-144**

CUSTOMER PRODUCT NAME:

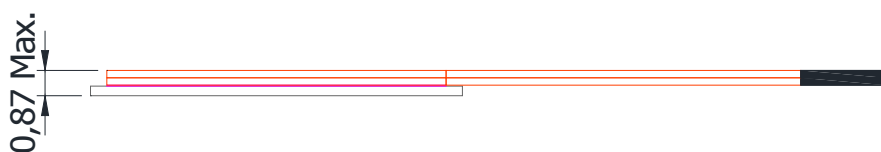
(1) Apperance & Dimensions (Unit: mm)

Weight: 0.65g (Typ.)

TOP VIEW



SIDE VIEW



[ Remarks ]

1. Lead Wire Pitch is the end of wire position, not Output terminal.

2. Marking Content:

a. T: Manufacturing Centers (Taiwan)

b: Lot No.: □□ ○○ △△

(1) (2) (3)

(1) Year: A.D. end number in double

(2) Month: Jan.(01) , Feb.(02)...Dec.(12)

(3) Day: 01,02,03,...31.

TDK 36M8-G

T□□○○△△

LOT NO.

# PRODUCT SPECIFICATION

TDK PRODUCT NAME:

**WR221230-36M8-G**

SPEC. NO.

**W-1101-144**

CUSTOMER PRODUCT NAME:

## (2) Air coil specification

Wire Diameter:  $\phi 0.18$  ( Single Wire Coil)

Coil Turns: 18Ts / per layer, total 2 layers

## (3) Electrical Characteristics

No.	Parameter	Specification	Test Instrument
1	Inductance	27.9 $\mu\text{H}$ +/- 5%	HP 4284A DIGITAL LCR METER or EQUIVALENT (@100kHz 1.0 Vrms)
2	Rs	1.21 $\Omega$ Max	HP 4284A DIGITAL LCR METER or EQUIVALENT (@100kHz 1.0 Vrms)

## (4) Temperature Characteristics

No.	Parameter	Specification
1	Operating Temperature	-30~70°C
2	Storage Temperature	-40~85°C

## (5) Application

1. Reflow and dip-flow soldering can not used for this product.
2. The product fit in with RoHS rule.
3. The product fit in with Halogen-Free.

# PRODUCT SPECIFICATION

TDK PRODUCT NAME: <b>WR221230-36M8-G</b>	SPEC. NO. <b>W-1101-144</b>	CUSTOMER PRODUCT NAME:
---	--------------------------------	------------------------

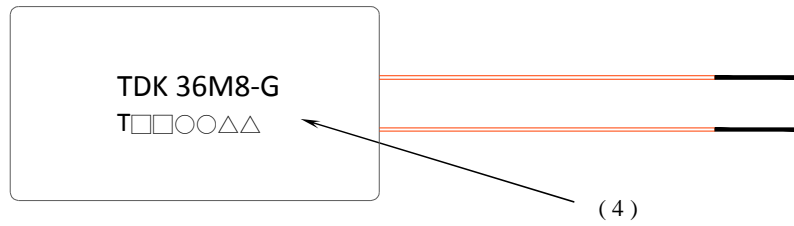
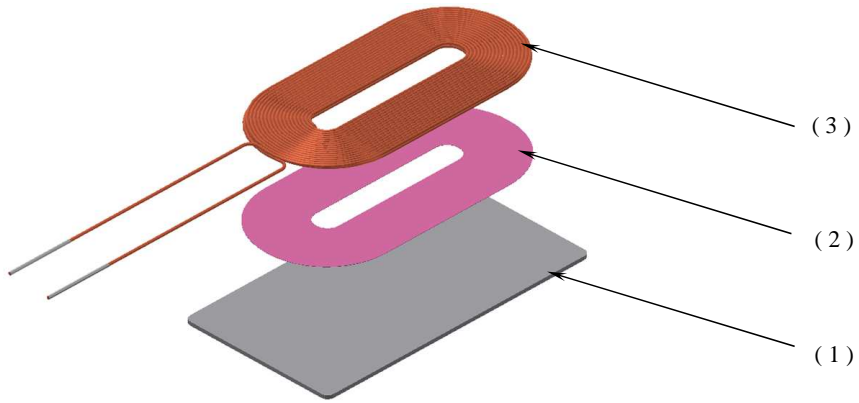
## (6) Reliability Conditions

No.	Parameter	Conditions
1	Low Temperature (Storage)	(1) Temperature : $-40\pm 2^{\circ}\text{C}$ (2) Time : 240Hrs
2	High Temperature (Storage)	(1) Temperature : $+85\pm 2^{\circ}\text{C}$ (2) Time : 240Hrs
3	Thermal Shock (Storage)	(1) Temperature : $-40\pm 5^{\circ}\text{C} / 30\text{min} \sim +85\pm 5^{\circ}\text{C} / 30\text{min}$ (2) Ambient Time : 5min (3) Times : 100cycles
4	Vibration	Unpacked: (1) frequency: 10~500Hz sweep octave wave(1 oct/ min) (2) Amplitude: 10G or 1.5mm P-P (3) Testing time : XYZ 2h/axis, total 6h
5	Shock Test	Fixed within the jig (1) Acceleration : $1000\text{m} / \text{s}^2$ (2) Pulse width : 6 msec (3) Direction : $\pm X, \pm Y, \pm Z$ (4) Frequency of shock : 3 times each (Total 18 times)  Half-sine shock (1) 200G, 3ms(Gravity) (2) One shock per face (3) Total 6 shocks
6	Temperature / Humidity (Storage)	(1) Temperature : $+60\pm 2^{\circ}\text{C}$ (2) Humidity: 90% RH. (3) Time: 240Hrs
7	Drop Test	(1) Height : 160cm to the concrete floor (fixture weight : 100g(REF) ) (2) Direction : 6 directions (3) Times : 3 times / direction
8	Package Drop	(1) Drop the sample package in a carton box. (2) Height : 100 cm (3) Direction : 1corner, 3 edges, 6 faces (4) Drop time : 10 times

# PRODUCT SPECIFICATION

TDK PRODUCT NAME: <b>WR221230-36M8-G</b>	SPEC. NO. <b>W-1101-144</b>	CUSTOMER PRODUCT NAME:
---	--------------------------------	------------------------

(7) Construction



(8) Material List

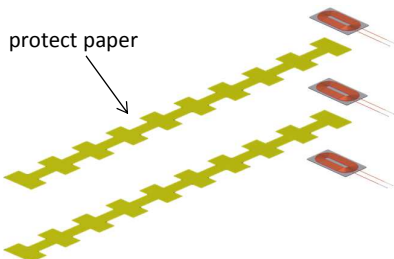
No.	Material Name
1	Sheet
2	Adhesive Tape
3	Air Coil
4	Ink

# PRODUCT SPECIFICATION

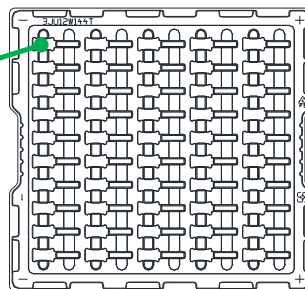
TDK PRODUCT NAME: <b>WR221230-36M8-G</b>	SPEC. NO. <b>W-1101-144</b>	CUSTOMER PRODUCT NAME:
---	--------------------------------	------------------------

**(9) Packing**

- To stack the the Trays onto 5 Layers. :
  - PS tray dimension: 326\*329\*11mm (REF.)
  - 150 Pcs / per PS tray



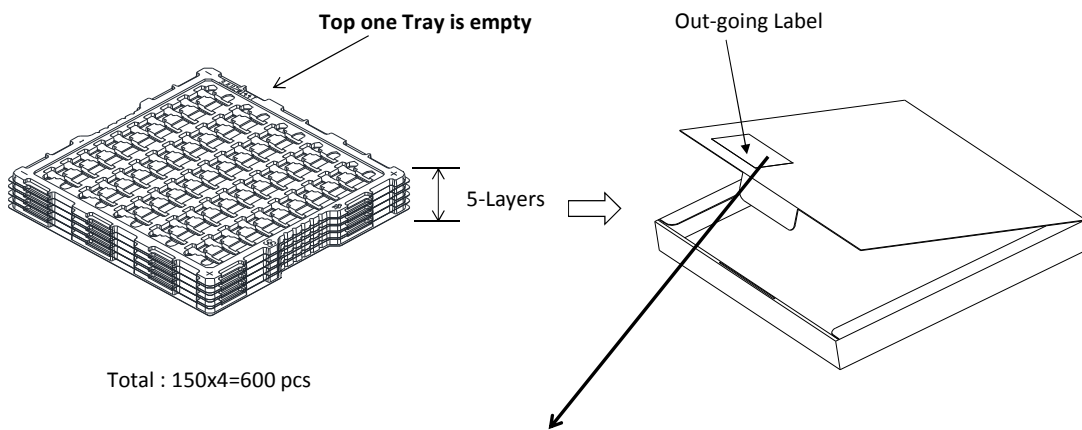
3 pcs / per lattice



Total : 50x3=150 pcs  
150 pcs / per tray

- Put 5 layers PS trays into the small carton and affixing the out-going label on the outside .

- Small carton dimension: 331\*337\*33mm (REF.)
- 5 PS Trays / per small carton ( One cardboard on the top side of PS tray in the small carton)



Total : 150x4=600 pcs

<b>CUST PROD ID(P):</b> [Barcode]	Customer
<b>QTY(Q):</b> 408	ROHS
<b>(6P):</b> TXDF10171TWNXXXXXXXXXX [Barcode]	
<b>TDK ITEM(1P):</b> WR221230-36M8-G [Barcode]	<b>VDR(V):</b> TDK [Barcode]
<b>LOT NO(1T):</b> WL11K06001 + M0001 [Barcode]	<b>DATE CODE(T):</b> 1143 0001
20XX/XX/XX	001/014
MADE IN TAIWAN	12296A1181
<b>(ITEM:)</b> WR221230-36M8-G	<b>(1M)</b> TTDF10171
	<b>TDK (S)</b> TDK TAIWAN CORPORATION

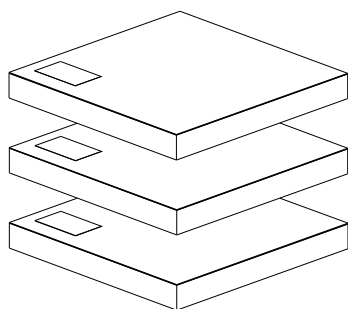
Out-going Label



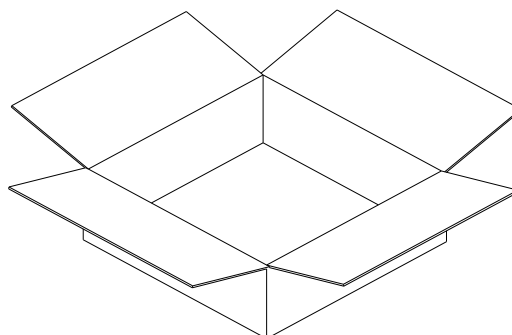
# PRODUCT SPECIFICATION

TDK PRODUCT NAME: <b>WR221230-36M8-G</b>	SPEC. NO. <b>W-1101-144</b>	CUSTOMER PRODUCT NAME:
---	--------------------------------	------------------------

3. To put 3 small carton into the carton .
- Outer carton dimension: 353\*351\*137mm (REF.)
  - 3 small cartons / per outer carton
  - Total quantity : 1800 Pcs



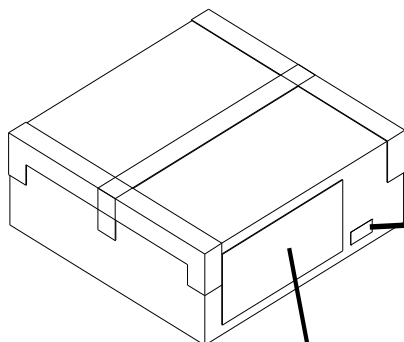
3 small cartons



Outer carton

## 4. Packing.

- To pack the carton by scotch tape and affix out-going label (outside) on it outside.
- The Inspection data in the box , there would be a signet mark on it outside.



INSPECTION DATA  
ENCLOSED  
檢驗紀錄表在內

signet mark of inspection data

(3S) TTTW+WL11K0600200101400000360 		CUSTOMER: Customer	
(6S) C/NO:1 		CUST. PART NO(P): 12A34567-89A 	
BOX COUNT 001/009	ROHS	TDK ITEM CODE(6P): TTXDF12345TWN 	
SHIPPING MARK		P/O NO.(K): TTTT-S123456789 	
<b>SAMPLE</b>		LOT NO.(IT): WL12345678 	DATE: Nov.22.2011
Customer	Location	QTY(Q): 288 	
MADE IN TAIWAN		TDK ITEM (IP): WR221230-36M8-G 	
WL12K34567 12345A6789 		(WR221230-36M8-G)	
C/NO:1		SUB P/O NO.(6K): 4500059424 	
WAREHOUSE (CT) NW 3.6 GW 4.0		TDK SPEC.	
		TDK TAIWAN CORPORATION YANGMEI, TAIWAN 9 	
		TTXDF10105	

out-going label (outside)



# REMINDERS

Please read this before using the product.



## REMINDERS

1. We may modify products or discontinue production of a product listed in this catalog without prior notification.
2. We provide "Delivery Specification" that explain precautions for the specifications and safety of each product listed in this catalog.  
We strongly recommend that you exchange these delivery specifications with customers that use one of these products.
3. If you plan to export a product listed in this catalog, keep in mind that it may be a restricted item according to the "Foreign Exchange and Foreign Trade Control Law". In such cases, it is necessary to acquire export permission in harmony with this law.
4. Any reproduction or transferring of the contents of this catalog is prohibited without prior permission from our company.
5. We are not responsible for problems that occur related to the intellectual property rights or other rights of our company or a third party when you use a product listed in this catalog. We do not grant license of these rights.
6. This catalog only applies to products purchased through our company or one of our company's official agencies. This catalog does not apply to products that are purchased through other third parties.
7. The products listed on this catalog are intended for use in general electronic equipment (AV equipment, telecommunications equipment, home appliances, amusement equipment, computer equipment, personal equipment, office equipment, measurement equipment, industrial robots) under a normal operation and use condition.

The products are not designed or warranted to meet the requirements of the applications listed below, whose performance and/or quality require a more stringent level of safety or reliability, or whose failure, malfunction or trouble could cause serious damage to society, person or property.

If you intend to use the products in the applications listed below or if you have special requirements exceeding the range or conditions set forth in the each catalog, please contact us.

- (1) Aerospace/Aviation equipment
- (2) Transportation equipment (cars, electric trains, ships, etc.)
- (3) Medical equipment
- (4) Power-generation control equipment
- (5) Atomic energy-related equipment
- (6) Seabed equipment
- (7) Transportation control equipment
- (8) Public information-processing equipment
- (9) Military equipment
- (10) Electric heating apparatus, burning equipment
- (11) Disaster prevention/crime prevention equipment
- (12) Safety equipment
- (13) Other applications that are not considered general-purpose applications

When designing your equipment even for general-purpose applications, you are kindly requested to take into consideration securing protection circuit/device or providing backup circuits in your equipment.