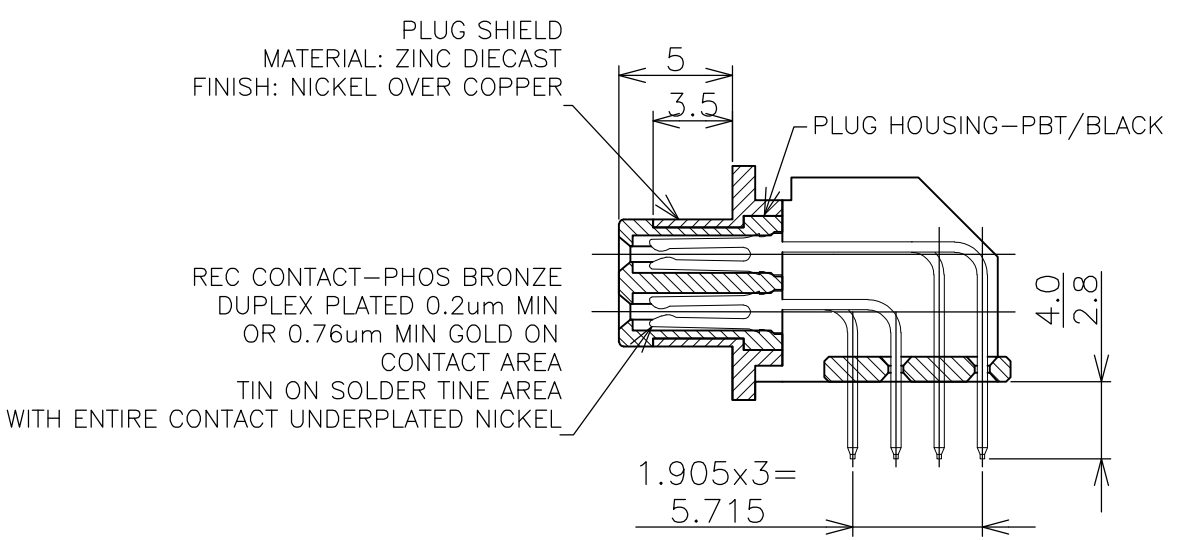
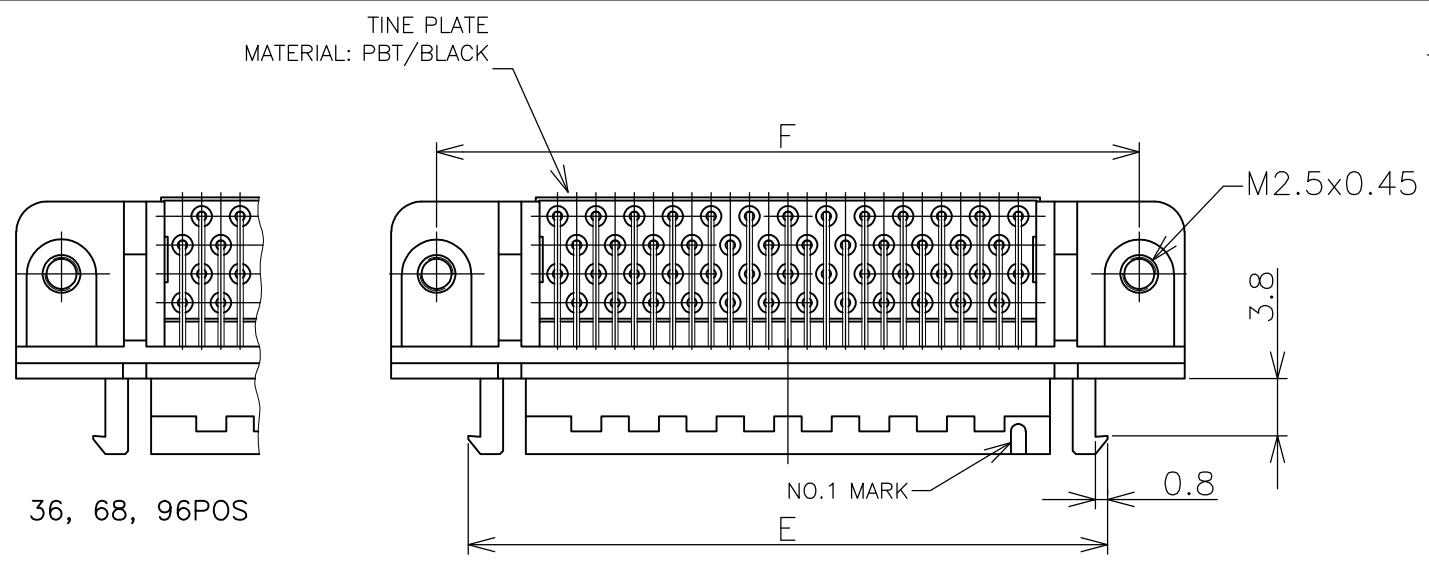


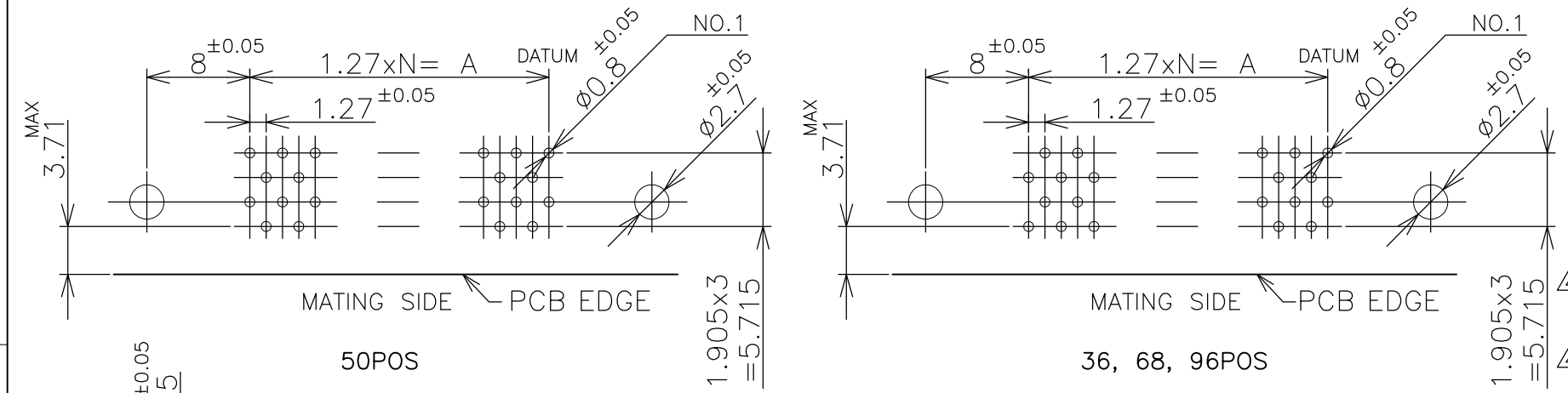
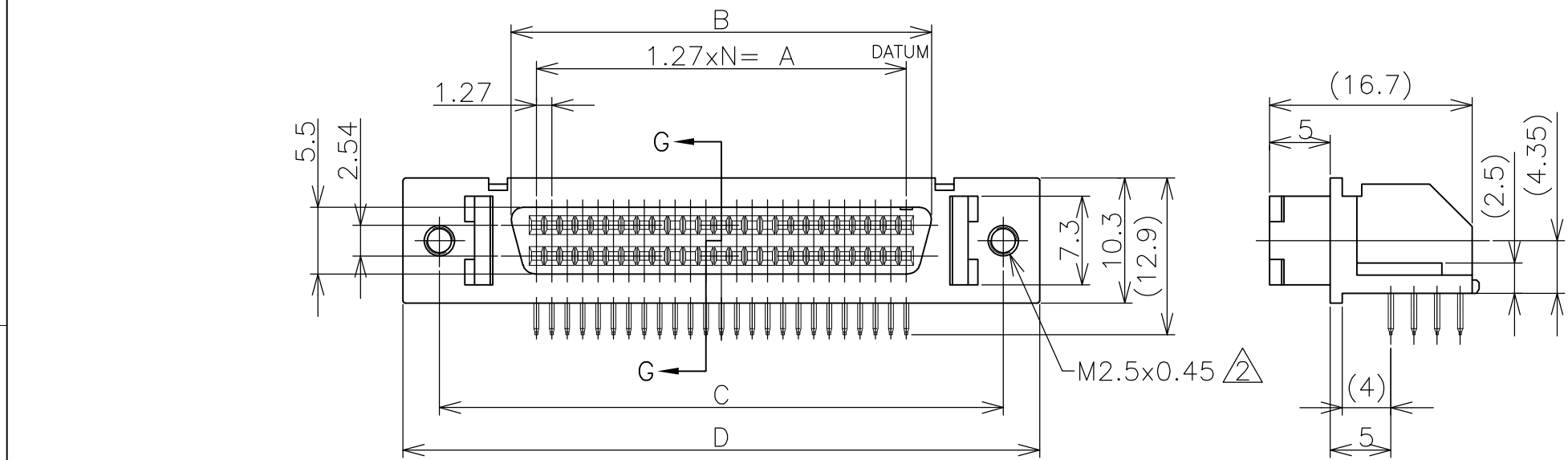
THIS DRAWING IS UNPUBLISHED. RELEASED FOR PUBLICATION SEP, 1994.  
 © COPYRIGHT 1994 BY TYCO ELECTRONICS CORPORATION. ALL RIGHTS RESERVED.

|     |      |           |     |                           |         |     |      |
|-----|------|-----------|-----|---------------------------|---------|-----|------|
| LOC | DIST | REVISIONS |     |                           |         |     |      |
| ES  | 00   | P         | LTR | DESCRIPTION               | DATE    | DWN | APVD |
|     |      |           | A1  | REVISED PER ECO-10-000444 | 19JAN10 | KK  | HMR  |

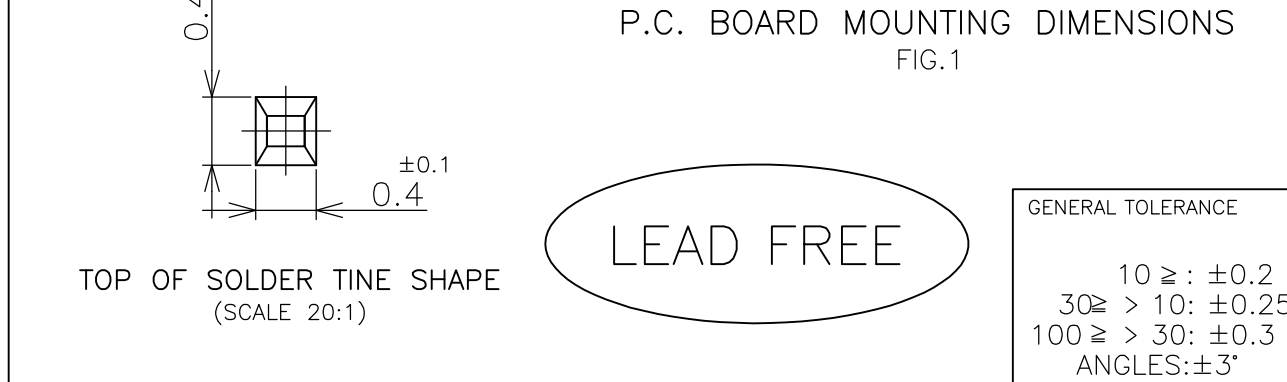
-4; AS SHOWN



- 1 P.C BOARD HOLE LAY-OUT SEE FIG.1 AND QTY OF HOLE MUST BE COUNTED UP FROM DATUM LINE.
- 2 USED SCREW SIZE; M2.5x0.45
- 3 CONNECTOR TO BE MATED:  
X-5174731-X, X-5175707-X.
- 4 OBSOLETE PARTS: OBSOLETE CIS STREAMLINING PER D.RENAUD/D.SINISI



|                                  |                  |     |    |       |       |      |      |       |      |    |           |
|----------------------------------|------------------|-----|----|-------|-------|------|------|-------|------|----|-----------|
| SUPERSEDED BY 5787394-7          | 0.00076 MIN      | 68  | 33 | 41.91 | 46.08 | 57.9 | 63.9 | 53.71 | 57.9 | 2- | -5-       |
|                                  |                  | 50  | 24 | 30.48 | 34.65 | 46.5 | 52.5 | 42.28 | 46.5 | 2- | -4        |
| OBSOLETE SUPERSEDED BY 5787394-7 | 0.0002 MIN       | 68  | 33 | 41.91 | 46.08 | 57.9 | 63.9 | 53.71 | 57.9 |    | -5-       |
|                                  |                  | 50  | 24 | 30.48 | 34.65 | 46.5 | 52.5 | 42.28 | 46.5 |    | -4        |
| OBSOLETE                         |                  | 36  | 17 | 21.59 | 25.76 | 37.6 | 43.6 | 33.39 | 37.6 |    | 5174726-3 |
|                                  | CONTACT GOLD PL. | POS | N  | A     | B     | C    | D    | E     | F    |    | PART NO.  |



THIS DRAWING IS A CONTROLLED DOCUMENT.

DWN Roy Hao 20Aug04  
 CHK STEVEN YAO 20Aug04  
 APVD I.ENOMOTO 20Aug04

**Tyco Electronics** Tyco Electronics Corporation  
 Shanghai, P.R.China, 200233

NAME: PLUG HEADER (HORIZONTAL/M2.5)  
 AMPLIMITE .050 SERIES II CONNECTOR  
 TYPE A

SIZE: A3 CAGE CODE: 00779 DRAWING NO: 5174726 RESTRICTED TO: [ ]

SCALE: 2:1 SHEET: 1 OF 1 REV: A1

CUSTOMER DRAWING

GENERAL TOLERANCE  
 10 ≥ : ±0.2  
 30 ≥ > 10: ±0.25  
 100 ≥ > 30: ±0.3  
 ANGLES: ±3°

DIMENSIONS: mm  
 TOLERANCES UNLESS OTHERWISE SPECIFIED:  
 0 PLC ±-  
 1 PLC ±-  
 2 PLC ±-  
 3 PLC ±-  
 4 PLC ±-  
 ANGLES ±-  
 FINISH ±-

MATERIAL: SEE TABLE