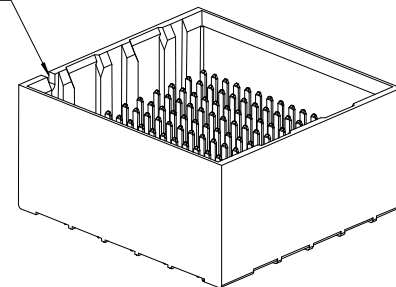


BACKPLANE HOLE PATTERN
(CONNECTOR SIDE)

NOTCH
DESIGNATES
ROW A



(DUAL ENDWALL SHOWN)

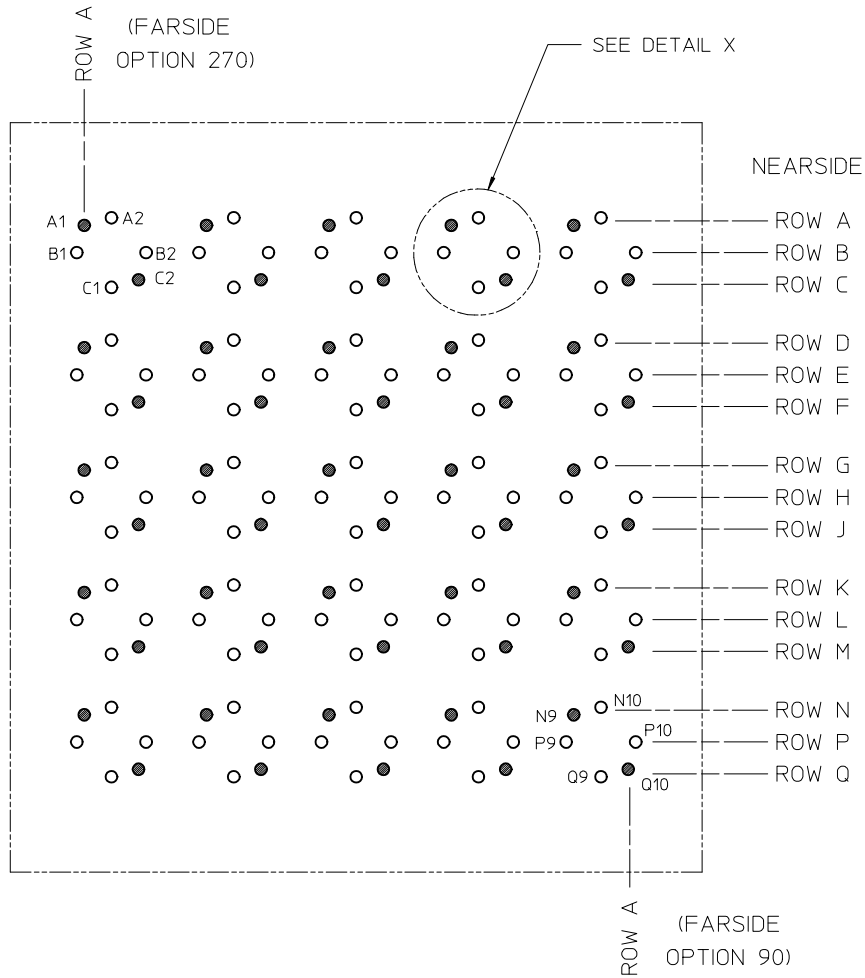
- NOTES:
- MATERIALS: HOUSING - LIQUID CRYSTAL POLYMER (LCP)
GLASS-FILLED, UL94V-0
TERMINALS - HIGH PERFORMANCE COPPER ALLOY
 - FINISH: 30μ MIN GOLD IN CONTACT AREA.
SELECTIVE MATTE TIN (LEAD-FREE) ON PCB TAILS.
NICKEL OVERALL.
 - REFER TO MOLEX PRODUCT SPECIFICATION PS-76060-999
FOR PERFORMANCE SPECIFICATIONS AND ADDITIONAL PCB INFORMATION.
 - THIS PART CONFORMS TO CLASS B REQUIREMENTS OF
COSMETIC SPEC PS-45499-002.
 - PRODUCT IS PACKAGED PER PK-70873-7707.
 - SEE SHEETS 2 THRU 4 FOR PART NUMBERS AND ORTHOGONAL PIN MAPPING.
 - REFER TO MOLEX SALES DRAWING SD-76990-001 FOR THE MATING RECEPTACLES.
 - REFER TO MOLEX ROUTING GUIDE AS-76850-990 FOR ADDITIONAL PCB LAYOUT
AND ROUTING RECOMMENDATIONS.
 - *THESE DIMENSIONS REPRESENT THE AREA NEEDED TO ACCOMODATE CONNECTOR
INSERTION AND REPAIR ON THE PC BOARD. THIS DOES NOT REPRESENT
THE ACTUAL PERIMETER OF THE CONNECTOR.*

INITIAL RELEASE	EC NO: UCP2014-2268	2013/03/05	QUALITY SYMBOLS
DRW: ARIZV101	CHKD: TELO	2013/11/22	▽=0
APP: TELO	2013/12/04		▽=0
REV	DESCRIPTION		▽=0

GENERAL TOLERANCES (UNLESS SPECIFIED)	
mm	INCH
4 PLACES ± ---	± ---
3 PLACES ± ---	± ---
2 PLACES ± 0.13	± ---
1 PLACE ± 0.25	± ---
0 PLACE ±	±
ANGULAR ±1/2°	
DRAFT WHERE APPLICABLE MUST REMAIN WITHIN DIMENSIONS	

DIMENSION STYLE		SCALE		DESIGN UNITS		THIRD ANGLE PROJECTION	
MM ONLY		4:1		METRIC		☉	
DRAWN BY	DATE	TITLE		IMPACT 5 PAIR HEADER ORTHOGONAL ASSEMBLY UNGUIDED SALES DRAWING molex DOCUMENT NO. SD-171884-0001 SHEET NO. 1 OF 4			
ARIZV101	2013/03/05	CHECKED BY					
JMENDOZA	2013/11/22	APPROVED BY					
TELO	2013/12/04	MATERIAL NO.					
SIZE		SEE CHART					

THIS DRAWING CONTAINS INFORMATION THAT IS PROPRIETARY TO MOLEX INCORPORATED AND SHOULD NOT BE USED WITHOUT WRITTEN PERMISSION



MATERIAL NUMBER	# OF COLUMNS	# OF DIFF PAIR	DIM A	DIM B	DIM C
171884-180*	8	40	16.1	14.05	14.45
171884-182*	8	40	18.9	14.05	14.45
171884-110*	10	50	20.1	18.10	18.50
171884-112*	10	50	22.9	18.10	18.50
171884-120*	12	60	24.2	22.15	22.55
171884-122*	12	60	27.0	22.15	22.55

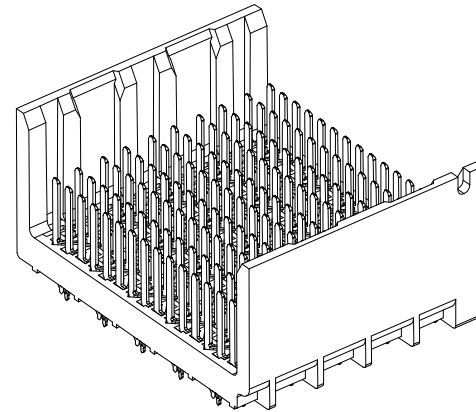
171884-1***

MODULE & TAIL PLATING TYPE
1 = UNGUIDED, TIN

OF COLUMNS
8 = 8 COLUMN
1 = 10 COLUMN
2 = 12 COLUMN

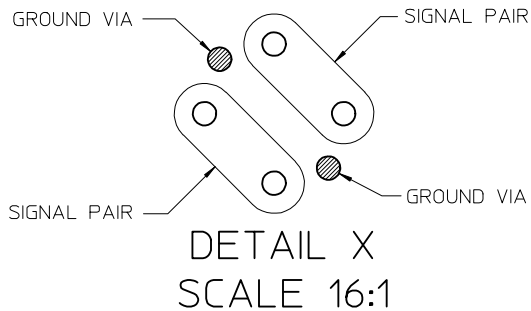
PIN LENGTH (P)
4 = 4.90 (0.46 PTH)
5 = 5.50 (0.46 PTH)
7 = 4.90 (0.39 PTH)
8 = 5.50 (0.39 PTH)

ENDWALL OPTIONS
0 = OPEN ENDS
2 = DUAL ENDWALL



OPEN END OPTION

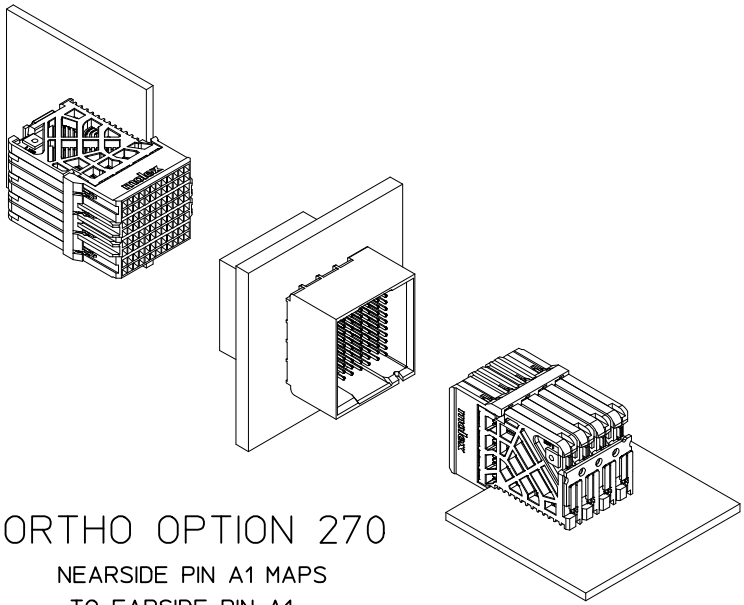
MIDPLANE PCB LAYOUT
SCALE 8:1



SEE SHEET 1 EC NO: UCP2014-2268 DRW:ARIZV101 2013/03/05 CHKD:TELO 2013/11/22 APPR:TELO 2013/12/04	QUALITY SYMBOLS ▽=0 ▽=0 ▽=0	GENERAL TOLERANCES (UNLESS SPECIFIED)		DIMENSION STYLE MM ONLY		SCALE 4:1	DESIGN UNITS METRIC	THIRD ANGLE PROJECTION			
		4 PLACES ± --- ± ---	3 PLACES ± --- ± ---	2 PLACES ± 0.13 ± ---	1 PLACE ± 0.25 ± ---	0 PLACE ± ±	DRAWN BY DATE ARIZV101 2013/03/05		CHECKED BY DATE JMENDOZA 2013/11/22		
		ANGULAR ±1/2°		DRAWN BY DATE ARIZV101 2013/03/05		CHECKED BY DATE JMENDOZA 2013/11/22		APPROVED BY DATE TELO 2013/12/04		TITLE IMPACT 5 PAIR HEADER ORTHOGONAL ASSEMBLY UNGUIDED SALES DRAWING	
		DRAFT WHERE APPLICABLE MUST REMAIN WITHIN DIMENSIONS		MATERIAL NO. SEE CHART		DOCUMENT NO. SD-171884-0001		SHEET NO. 2 OF 4			
THIS DRAWING CONTAINS INFORMATION THAT IS PROPRIETARY TO MOLEX INCORPORATED AND SHOULD NOT BE USED WITHOUT WRITTEN PERMISSION											

ORTHO PIN MAPPING									
OPTION 270 (NEAR SIDE - FAR SIDE)									
(A1-A1)	A2-B1	(A3-D1)	A4-E1	(A5-G1)	A6-H1	(A7-K1)	A8-L1	(A9-N1)	A10-P1
B1-A2	B2-C1	B3-D2	B4-F1	B5-G2	B6-J1	B7-K2	B8-M1	B9-N2	B10-O1
C1-B2	(C2-C2)	C3-E2	(C4-F2)	C5-H2	(C6-J2)	C7-L2	(C8-M2)	C9-P2	(C10-Q2)
(D1-A3)	D2-B3	(D3-D3)	D4-E3	(D5-G3)	D6-H3	(D7-K3)	D8-L3	(D9-N3)	D10-P3
E1-A4	E2-C3	E3-D4	E4-F3	E5-G4	E6-J3	E7-K4	E8-M3	E9-N4	E10-O3
F1-B4	(F2-C4)	F3-E4	(F4-F4)	F5-H4	(F6-J4)	F7-L4	(F8-M4)	F9-P4	(F10-Q4)
(G1-A5)	G2-B5	(G3-D5)	G4-E5	(G5-G5)	G6-H5	(G7-K5)	G8-L5	(G9-N5)	G10-P5
H1-A6	H2-C5	H3-D6	H4-F5	H5-G6	H6-J5	H7-K6	H8-M5	H9-N6	H10-O5
J1-B6	(J2-C6)	J3-E6	(J4-F6)	J5-H6	(J6-J6)	J7-L6	(J8-M6)	J9-P6	(J10-Q6)
(K1-A7)	K2-B7	(K3-D7)	K4-E7	(K5-G7)	K6-H7	(K7-K7)	K8-L7	(K9-N7)	K10-P7
L1-A8	L2-C7	L3-D8	L4-F7	L5-G8	L6-J7	L7-K8	L8-M7	L9-N8	L10-Q7
M1-B8	(M2-C8)	M3-E8	(M4-F8)	M5-H8	(M6-J8)	M7-L8	(M8-M8)	M9-P8	(M10-Q8)
(N1-A9)	N2-B9	(N3-D9)	N4-E9	(N5-G9)	N6-H9	(N7-K9)	N8-L9	(N9-N9)	N10-P9
P1-A10	P2-C9	P3-D10	P4-F9	P5-G10	P6-J9	P7-K10	P8-M9	P9-N10	P10-Q9
Q1-B10	(Q2-C10)	Q3-E10	(Q4-F10)	Q5-H10	(Q6-J10)	Q7-L10	(Q8-M10)	Q9-P10	(Q10-Q10)

NOTE: PINOUTS SHOWN IN BALLOONS ARE GROUNDS.
 PINOUTS SHOWN ARE FOR SQUARE (10 COLUMN) PATTERN ONLY.



ORTHO OPTION 270
 NEAR SIDE PIN A1 MAPS
 TO FAR SIDE PIN A1

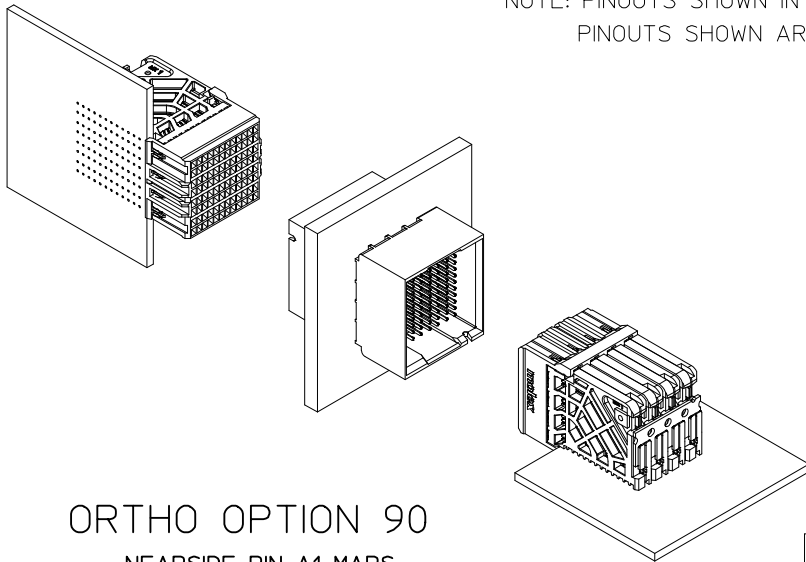
SEE SHEET 1 EC NO: UCP2014-2268 DRW: ARIZV101 2013/03/05 CHKD: TELO 2013/11/22 APPR: TELO 2013/12/04	QUALITY SYMBOLS	GENERAL TOLERANCES (UNLESS SPECIFIED)	DIMENSION STYLE	SCALE	DESIGN UNITS	THIRD ANGLE PROJECTION
	▽=0	mm INCH	MM ONLY	8:1	METRIC	
	▽=0	4 PLACES ± --- ± ---	DRAWN BY DATE	TITLE		
	▽=0	3 PLACES ± --- ± ---	ARIZV101 2013/03/05	IMPACT 5 PAIR HEADER ORTHOGONAL ASSEMBLY UNGUIDED SALES DRAWING		
▽=0	2 PLACES ± 0.13 ± ---	CHECKED BY DATE	DOCUMENT NO.			
	1 PLACE ± 0.25 ± ---	JMENDOZA 2013/11/22	SD-171884-0001			
	0 PLACE ± ±	APPROVED BY DATE	SHEET NO.			
	ANGULAR ±1/2°	TELO 2013/12/04	3 OF 4			
	DRAFT WHERE APPLICABLE MUST REMAIN WITHIN DIMENSIONS	MATERIAL NO.	THIS DRAWING CONTAINS INFORMATION THAT IS PROPRIETARY TO MOLEX INCORPORATED AND SHOULD NOT BE USED WITHOUT WRITTEN PERMISSION			
A		SEE CHART				

ORTHO PIN MAPPING

OPTION 90 (NEAR SIDE - FAR SIDE)

(A1-Q10)	A2-P10	(A3-M10)	A4-L10	(A5-J10)	A6-H10	(A7-F10)	A8-E10	(A9-C10)	A10-B10
B1-Q9	B2-N10	B3-M9	B4-K10	B5-J9	B6-G10	B7-F9	B8-D10	B9-C9	B10-A10
C1-P9	(C2-N9)	C3-L9	(C4-K9)	C5-H9	(C6-G9)	C7-E9	(C8-D9)	C9-B9	(C10-A9)
(D1-Q8)	D2-P8	(D3-M8)	D4-L8	(D5-J8)	D6-H8	(D7-F8)	D8-E8	(D9-C8)	D10-B8
E1-Q7	E2-N8	E3-M7	E4-K8	E5-J7	E6-G8	E7-F7	E8-D8	E9-C7	E10-A8
F1-P7	(F2-N7)	F3-L7	(F4-K7)	F5-H7	(F6-G7)	F7-E7	(F8-D7)	F9-B7	(F10-A7)
(G1-Q6)	G2-P6	(G3-M6)	G4-L6	(G5-J6)	G6-H6	(G7-F6)	G8-E6	(G9-C6)	G10-B6
H1-Q5	H2-N6	H3-M5	H4-K6	H5-J5	H6-G6	H7-F5	H8-D6	H9-C5	H10-A6
J1-P5	(J2-N5)	J3-L5	(J4-K5)	J5-H5	(J6-G5)	J7-E5	(J8-D5)	J9-B5	(J10-A5)
(K1-Q4)	K2-P4	(K3-M4)	K4-L4	(K5-J4)	K6-H4	(K7-F4)	K8-E4	(K9-C4)	K10-B4
L1-Q3	L2-N4	L3-M3	L4-K4	L5-J3	L6-G4	L7-F3	L8-D4	L9-C3	L10-A4
M1-P3	(M2-N3)	M3-L3	(M4-K3)	M5-H3	(M6-G3)	M7-E3	(M8-D3)	M9-B3	(M10-A3)
(N1-Q2)	N2-P2	(N3-M2)	N4-L2	(N5-J2)	N6-H2	(N7-F2)	N8-E2	(N9-C2)	N10-B2
P1-Q1	P2-N2	P3-M1	P4-K2	P5-J1	P6-G2	P7-F1	P8-D2	P9-C1	P10-A2
Q1-P1	(Q2-N1)	Q3-L1	(Q4-K1)	Q5-H1	(Q6-G1)	Q7-E1	(Q8-D1)	Q9-B1	(Q10-A1)

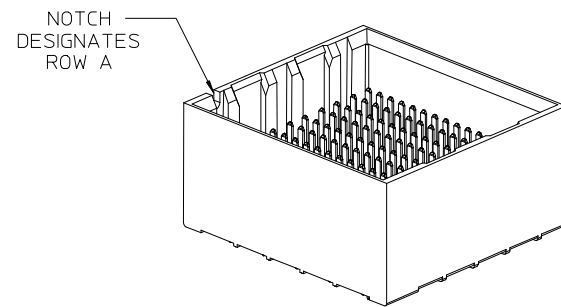
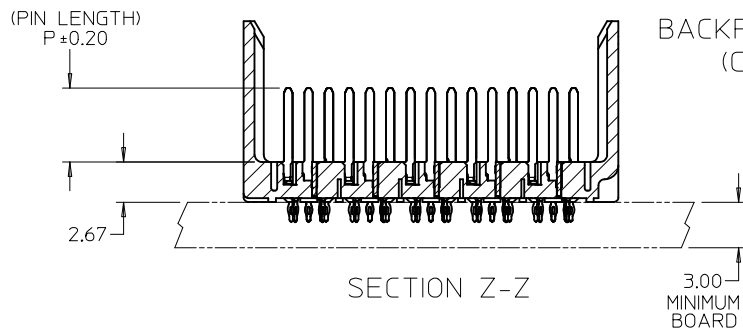
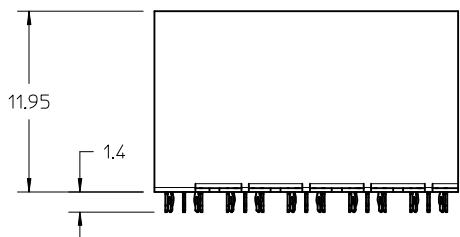
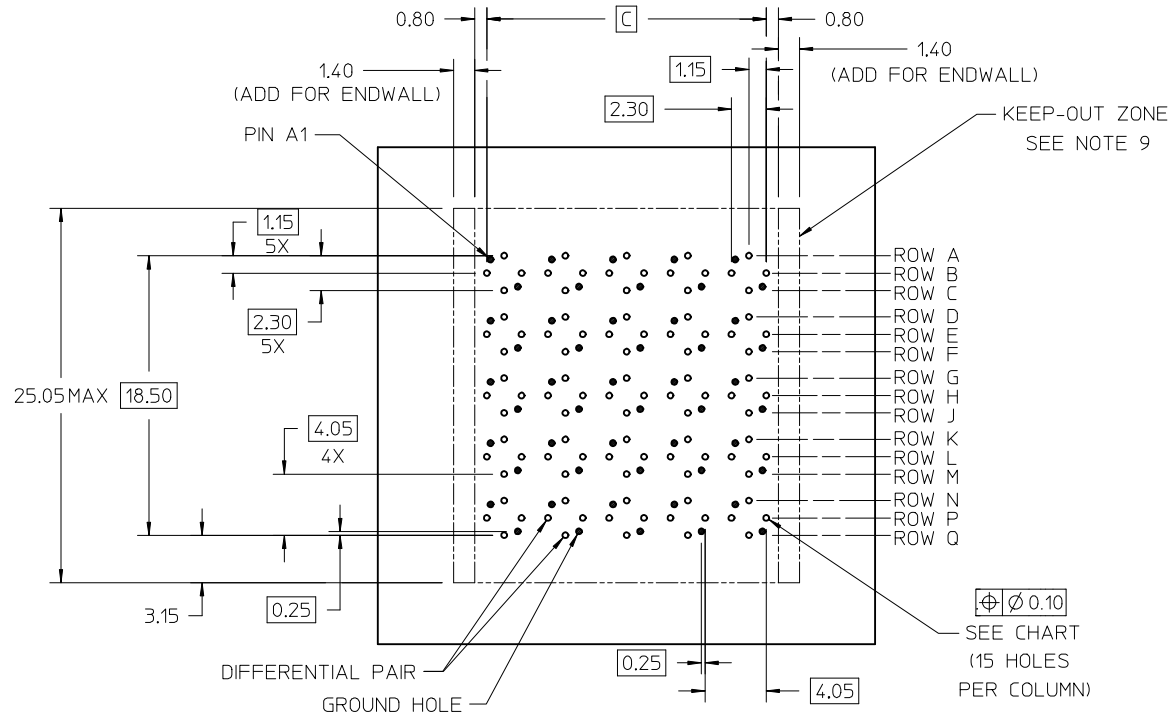
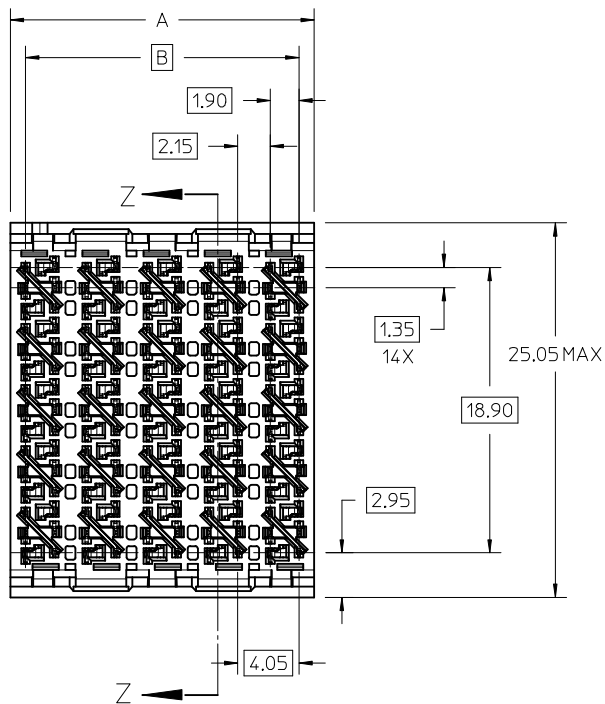
NOTE: PINOUTS SHOWN IN BALLOONS ARE GROUNDS.
 PINOUTS SHOWN ARE FOR SQUARE (10 COLUMN) PATTERN ONLY.



ORTHO OPTION 90

NEAR SIDE PIN A1 MAPS
 TO FAR SIDE PIN Q10
 (FOR SQUARE PATTERN)

SEE SHEET 1 EC NO: UCP2014-2268 DRWNR: ARIZV101 CHKD: TELO APPR: TELO	REV A	DESCRIPTION 2013/03/05 2013/11/22 2013/12/04	QUALITY SYMBOLS ▽=0 ▽=0 ▽=0	GENERAL TOLERANCES (UNLESS SPECIFIED)		DIMENSION STYLE MM ONLY		SCALE 4:1	DESIGN UNITS METRIC	THIRD ANGLE PROJECTION
				4 PLACES ±	mm	INCH	DRAWN BY ARIZV101	DATE 2013/03/05	TITLE IMPACT 5 PAIR HEADER ORTHOGONAL ASSEMBLY UNGUIDED SALES DRAWING molex	
				3 PLACES ±	±	±	CHECKED BY JMENDOZA	DATE 2013/11/22		
				2 PLACES ±0.13	±	±	APPROVED BY TELO	DATE 2013/12/04		
1 PLACE ±0.25	±	±	MATERIAL NO. SEE CHART	DOCUMENT NO. SD-171884-0001	SHEET NO. 4 OF 4					
0 PLACE ±	±	±	ANGULAR ±1/2°		DRAFT WHERE APPLICABLE MUST REMAIN WITHIN DIMENSIONS		THIS DRAWING CONTAINS INFORMATION THAT IS PROPRIETARY TO MOLEX INCORPORATED AND SHOULD NOT BE USED WITHOUT WRITTEN PERMISSION			



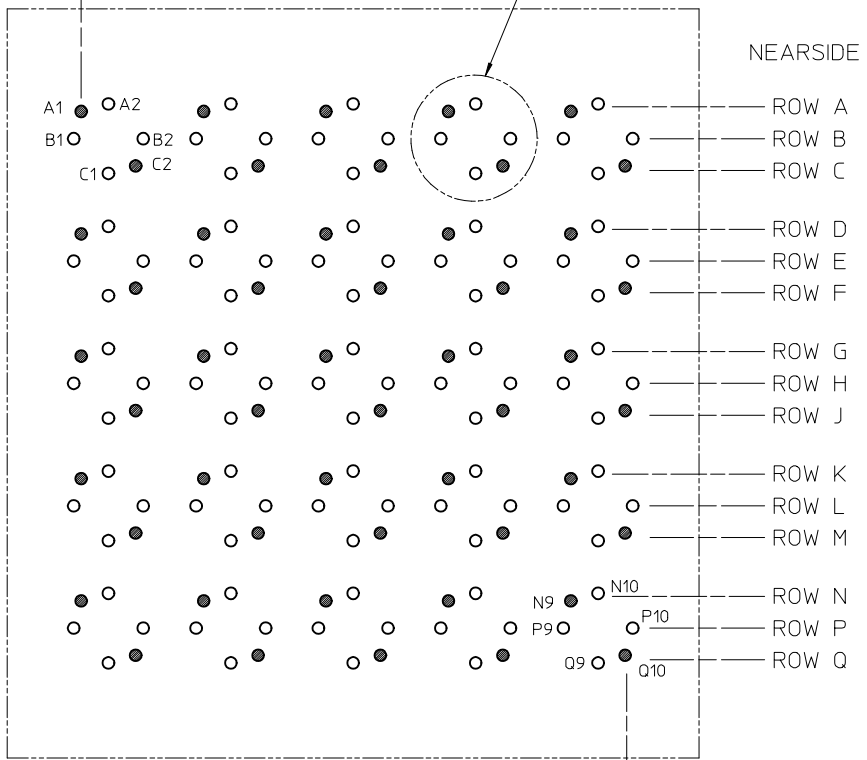
- NOTES:
- MATERIALS: HOUSING - LIQUID CRYSTAL POLYMER (LCP)
GLASS-FILLED, UL94V-0
TERMINALS - HIGH PERFORMANCE COPPER ALLOY
 - FINISH: 30µ MIN GOLD IN CONTACT AREA.
SELECTIVE TIN OR TIN-LEAD ON PCB TAILS,
NICKEL OVERALL.
 - REFER TO MOLEX PRODUCT SPECIFICATION PS-76060-999
FOR PERFORMANCE SPECIFICATIONS AND ADDITIONAL PCB INFORMATION.
 - THIS PART CONFORMS TO CLASS B REQUIREMENTS OF
COSMETIC SPEC PS-45499-002.
 - PRODUCT IS PACKAGED PER PK-70873-7707.
 - SEE SHEETS 2 THRU 4 FOR PART NUMBERS AND ORTHOGONAL PIN MAPPING.
 - REFER TO MOLEX SALES DRAWING SD-76990-001 FOR THE MATING RECEPTACLES.
 - REFER TO MOLEX ROUTING GUIDE AS-76850-990 FOR ADDITIONAL PCB LAYOUT
AND ROUTING RECOMMENDATIONS.
 - *THESE DIMENSIONS REPRESENT THE AREA NEEDED TO ACCOMODATE CONNECTOR
INSERTION AND REPAIR ON THE PC BOARD. THIS DOES NOT REPRESENT
THE ACTUAL PERIMETER OF THE CONNECTOR.*

UPDATED VIEWS EC NO: UCP2014-2698 DRWNR: ZV101 2013/04/01 CHKD: APPR: TELO 2015/03/24	QUALITY SYMBOLS ▽=0 ▽=0 ▽=0	GENERAL TOLERANCES (UNLESS SPECIFIED)		DIMENSION STYLE MM ONLY		SCALE 4:1	DESIGN UNITS METRIC	THIRD ANGLE PROJECTION		
		4 PLACES ± --- ± ---	3 PLACES ± --- ± ---	2 PLACES ± 0.13 ± ---	1 PLACE ± 0.25 ± ---	0 PLACE ± ±	DRAWN BY JLAURX		DATE 4/28/09	
		ANGULAR ±1/2°		DRAFT WHERE APPLICABLE MUST REMAIN WITHIN DIMENSIONS		CHECKED BY JMENDOZA		DATE 2010/01/13		IMPACT 5 PAIR HEADER ORTHOGONAL ASSEMBLY UNGUIDED SALES DRAWING molex DOCUMENT NO. SD-76985-001
		MATERIAL NO. SEE CHART		DATE 2010/01/14		APPROVED BY JB INGHAM		DATE 2010/01/14		
THIS DRAWING CONTAINS INFORMATION THAT IS PROPRIETARY TO MOLEX INCORPORATED AND SHOULD NOT BE USED WITHOUT WRITTEN PERMISSION										

ROW A
(FARSIDE
OPTION 270)

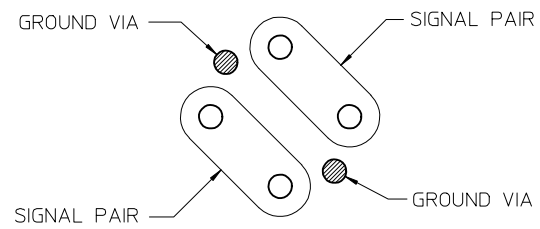
SEE DETAIL X

NEARSIDE



ROW A
(FARSIDE
OPTION 90)

MIDPLANE PCB LAYOUT
SCALE 8:1



MATERIAL NUMBER	# OF COLUMNS	# OF DIFF PAIR	DIM A	DIM B	DIM C
76985-*80*	8	40	16.1	14.05	14.45
76985-*82*	8	40	18.9	14.05	14.45
76985-*10*	10	50	20.1	18.10	18.50
76985-*12*	10	50	22.9	18.10	18.50
76985-*20*	12	60	24.2	22.15	22.55
76985-*22*	12	60	27.0	22.15	22.55

76985-****

MODULE & TAIL PLATING TYPE

- 0 = UNGUIDED, TIN/LEAD
- 1 = UNGUIDED, TIN

OF COLUMNS

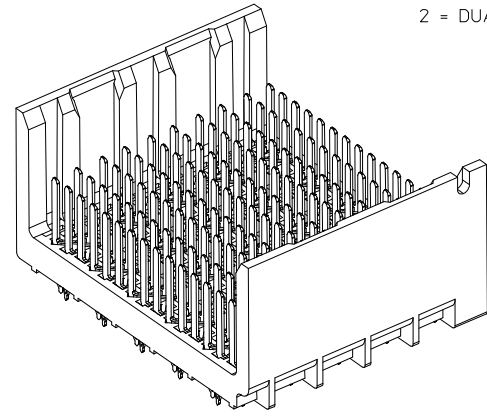
- 8 = 8 COLUMN
- 1 = 10 COLUMN
- 2 = 12 COLUMN

PIN LENGTH (P)

- 4 = 4.90 (0.46 PTH)
- 5 = 5.50 (0.46 PTH)
- 7 = 4.90 (0.39 PTH)
- 8 = 5.50 (0.39 PTH)

ENDWALL OPTIONS

- 0 = OPEN ENDS
- 2 = DUAL ENDWALL

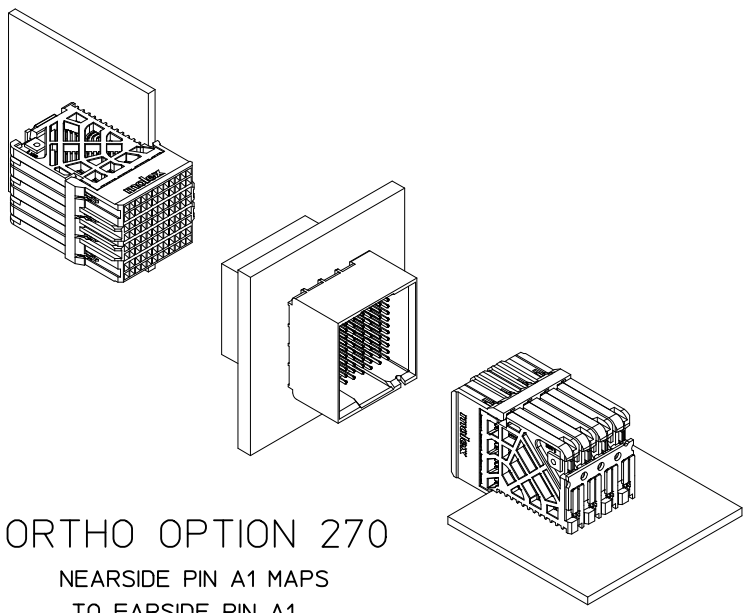


OPEN END OPTION

SEE SHEET 1 EC NO: UCP2014-2698 TDR: RAR/ZV/01 2013/04/01 CHKD: APPR: TELO 2015/03/24	QUALITY SYMBOLS ▽=0 ▽=0 ▽=0	GENERAL TOLERANCES (UNLESS SPECIFIED) <table border="1"> <thead> <tr> <th></th> <th>mm</th> <th>INCH</th> </tr> </thead> <tbody> <tr> <td>4 PLACES</td> <td>± ---</td> <td>± ---</td> </tr> <tr> <td>3 PLACES</td> <td>± ---</td> <td>± ---</td> </tr> <tr> <td>2 PLACES</td> <td>± 0.13</td> <td>± ---</td> </tr> <tr> <td>1 PLACE</td> <td>± 0.25</td> <td>± ---</td> </tr> <tr> <td>0 PLACE</td> <td>±</td> <td>±</td> </tr> </tbody> </table>		mm	INCH	4 PLACES	± ---	± ---	3 PLACES	± ---	± ---	2 PLACES	± 0.13	± ---	1 PLACE	± 0.25	± ---	0 PLACE	±	±	DIMENSION STYLE MM ONLY DRAWN BY: JLAURX DATE: 4/28/09 CHECKED BY: JMENDOZA DATE: 2010/01/13 APPROVED BY: JB INGHAM DATE: 2010/01/14	SCALE: 4:1 DESIGN UNITS: METRIC THIRD ANGLE PROJECTION	TITLE: IMPACT 5 PAIR HEADER ORTHOGONAL ASSEMBLY UNGUIDED SALES DRAWING molex
		mm	INCH																				
	4 PLACES	± ---	± ---																				
	3 PLACES	± ---	± ---																				
2 PLACES	± 0.13	± ---																					
1 PLACE	± 0.25	± ---																					
0 PLACE	±	±																					
DRAFT WHERE APPLICABLE MUST REMAIN WITHIN DIMENSIONS	MATERIAL NO. SEE CHART SIZE: C	DOCUMENT NO. SD-76985-001 SHEET NO. 2 OF 4	THIS DRAWING CONTAINS INFORMATION THAT IS PROPRIETARY TO MOLEX INCORPORATED AND SHOULD NOT BE USED WITHOUT WRITTEN PERMISSION																				

ORTHO PIN MAPPING									
OPTION 270 (NEARSIDE - FAR SIDE)									
(A1-A1)	A2-B1	(A3-D1)	A4-E1	(A5-G1)	A6-H1	(A7-K1)	A8-L1	(A9-N1)	A10-P1
B1-A2	B2-C1	B3-D2	B4-F1	B5-G2	B6-J1	B7-K2	B8-M1	B9-N2	B10-O1
C1-B2	(C2-C2)	C3-E2	(C4-F2)	C5-H2	(C6-J2)	C7-L2	(C8-M2)	C9-P2	(C10-Q2)
(D1-A3)	D2-B3	(D3-D3)	D4-E3	(D5-G3)	D6-H3	(D7-K3)	D8-L3	(D9-N3)	D10-P3
E1-A4	E2-C3	E3-D4	E4-F3	E5-G4	E6-J3	E7-K4	E8-M3	E9-N4	E10-O3
F1-B4	(F2-C4)	F3-E4	(F4-F4)	F5-H4	(F6-J4)	F7-L4	(F8-M4)	F9-P4	(F10-Q4)
(G1-A5)	G2-B5	(G3-D5)	G4-E5	(G5-G5)	G6-H5	(G7-K5)	G8-L5	(G9-N5)	G10-P5
H1-A6	H2-C5	H3-D6	H4-F5	H5-G6	H6-J5	H7-K6	H8-M5	H9-N6	H10-O5
J1-B6	(J2-C6)	J3-E6	(J4-F6)	J5-H6	(J6-J6)	J7-L6	(J8-M6)	J9-P6	(J10-Q6)
(K1-A7)	K2-B7	(K3-D7)	K4-E7	(K5-G7)	K6-H7	(K7-K7)	K8-L7	(K9-N7)	K10-P7
L1-A8	L2-C7	L3-D8	L4-F7	L5-G8	L6-J7	L7-K8	L8-M7	L9-N8	L10-Q7
M1-B8	(M2-C8)	M3-E8	(M4-F8)	M5-H8	(M6-J8)	M7-L8	(M8-M8)	M9-P8	(M10-Q8)
(N1-A9)	N2-B9	(N3-D9)	N4-E9	(N5-G9)	N6-H9	(N7-K9)	N8-L9	(N9-N9)	N10-P9
P1-A10	P2-C9	P3-D10	P4-F9	P5-G10	P6-J9	P7-K10	P8-M9	P9-N10	P10-Q9
Q1-B10	(Q2-C10)	Q3-E10	(Q4-F10)	Q5-H10	(Q6-J10)	Q7-L10	(Q8-M10)	Q9-P10	(Q10-Q10)

NOTE: PINOUTS SHOWN IN BALLOONS ARE GROUNDS.
 PINOUTS SHOWN ARE FOR SQUARE (10 COLUMN) PATTERN ONLY.

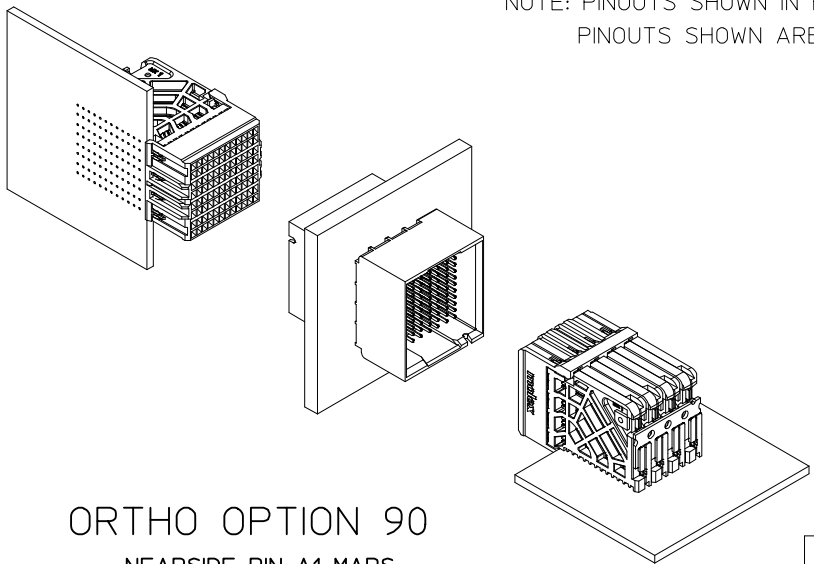


ORTHO OPTION 270
 NEARSIDE PIN A1 MAPS
 TO FAR SIDE PIN A1

SEE SHEET 1 EC NO: UCP2014-2698 DRAWN BY: JLAURX CHKD: JLAURX APPR: TELO	DESCRIPTION 2015/03/24	QUALITY SYMBOLS	GENERAL TOLERANCES (UNLESS SPECIFIED)		DIMENSION STYLE	SCALE	DESIGN UNITS	THIRD ANGLE PROJECTION	
		▽=0 ▽=0 ▽=0	mm	INCH	MM ONLY	8:1	METRIC		
			4 PLACES ±	±	DRAWN BY	DATE	TITLE		
			3 PLACES ±	±	JLAURX	4/28/09	IMPACT 5 PAIR HEADER ORTHOGONAL ASSEMBLY UNGUIDED SALES DRAWING		
			2 PLACES ±0.13	±	CHECKED BY	DATE	molex		
			1 PLACE ±0.25	±	JMENDOZA	2010/01/13			
			0 PLACE ±	±	APPROVED BY	DATE	DOCUMENT NO.		
					JB INGHAM	2010/01/14	SD-76985-001		
					MATERIAL NO.		SHEET NO.		
					SEE CHART		3 OF 4		
					DRAFT WHERE APPLICABLE MUST REMAIN WITHIN DIMENSIONS				
					THIS DRAWING CONTAINS INFORMATION THAT IS PROPRIETARY TO MOLEX INCORPORATED AND SHOULD NOT BE USED WITHOUT WRITTEN PERMISSION				

ORTHO PIN MAPPING									
OPTION 90 (NEAR SIDE - FAR SIDE)									
(A1-Q10)	A2-P10	(A3-M10)	A4-L10	(A5-J10)	A6-H10	(A7-F10)	A8-E10	(A9-C10)	A10-B10
B1-Q9	B2-N10	B3-M9	B4-K10	B5-J9	B6-G10	B7-F9	B8-D10	B9-C9	B10-A10
C1-P9	(C2-N9)	C3-L9	(C4-K9)	C5-H9	(C6-G9)	C7-E9	(C8-D9)	C9-B9	(C10-A9)
(D1-Q8)	D2-P8	(D3-M8)	D4-L8	(D5-J8)	D6-H8	(D7-F8)	D8-E8	(D9-C8)	D10-B8
E1-Q7	E2-N8	E3-M7	E4-K8	E5-J7	E6-G8	E7-F7	E8-D8	E9-C7	E10-A8
F1-P7	(F2-N7)	F3-L7	(F4-K7)	F5-H7	(F6-G7)	F7-E7	(F8-D7)	F9-B7	(F10-A7)
(G1-Q6)	G2-P6	(G3-M6)	G4-L6	(G5-J6)	G6-H6	(G7-F6)	G8-E6	(G9-C6)	G10-B6
H1-Q5	H2-N6	H3-M5	H4-K6	H5-J5	H6-G6	H7-F5	H8-D6	H9-C5	H10-A6
J1-P5	(J2-N5)	J3-L5	(J4-K5)	J5-H5	(J6-G5)	J7-E5	(J8-D5)	J9-B5	(J10-A5)
(K1-Q4)	K2-P4	(K3-M4)	K4-L4	(K5-J4)	K6-H4	(K7-F4)	K8-E4	(K9-C4)	K10-B4
L1-Q3	L2-N4	L3-M3	L4-K4	L5-J3	L6-G4	L7-F3	L8-D4	L9-C3	L10-A4
M1-P3	(M2-N3)	M3-L3	(M4-K3)	M5-H3	(M6-G3)	M7-E3	(M8-D3)	M9-B3	(M10-A3)
(N1-Q2)	N2-P2	(N3-M2)	N4-L2	(N5-J2)	N6-H2	(N7-F2)	N8-E2	(N9-C2)	N10-B2
P1-Q1	P2-N2	P3-M1	P4-K2	P5-J1	P6-G2	P7-F1	P8-D2	P9-C1	P10-A2
Q1-P1	(Q2-N1)	Q3-L1	(Q4-K1)	Q5-H1	(Q6-G1)	Q7-E1	(Q8-D1)	Q9-B1	(Q10-A1)

NOTE: PINOUTS SHOWN IN BALLOONS ARE GROUNDS.
 PINOUTS SHOWN ARE FOR SQUARE (10 COLUMN) PATTERN ONLY.



ORTHO OPTION 90
 NEAR SIDE PIN A1 MAPS
 TO FAR SIDE PIN Q10
 (FOR SQUARE PATTERN)

SEE SHEET 1 EC NO: UCP2014-2698 DRWNR:RIZV101 2013/04/01 CHKD: APPR:TELO 2015/03/24	QUALITY SYMBOLS ▽=0 ▽=0 ▽=0	GENERAL TOLERANCES (UNLESS SPECIFIED)		DIMENSION STYLE MM ONLY		SCALE 4:1	DESIGN UNITS METRIC	THIRD ANGLE PROJECTION				
			mm	INCH	DRAWN BY JLAURX	DATE 4/28/09	TITLE IMPACT 5 PAIR HEADER ORTHOGONAL ASSEMBLY UNGUIDED SALES DRAWING molex DOCUMENT NO. SD-76985-001 SHEET NO. 4 OF 4					
		4 PLACES	±	---	±	---					CHECKED BY JMENDOZA	DATE 2010/01/13
		3 PLACES	±	---	±	---					APPROVED BY JB INGHAM	DATE 2010/01/14
2 PLACES	±	0.13	±	---	MATERIAL NO.							
1 PLACE	±	0.25	±	---	SEE CHART		ANGULAR ±1/2°					
0 PLACE	±		±		DRAFT WHERE APPLICABLE MUST REMAIN WITHIN DIMENSIONS		THIS DRAWING CONTAINS INFORMATION THAT IS PROPRIETARY TO MOLEX INCORPORATED AND SHOULD NOT BE USED WITHOUT WRITTEN PERMISSION					