



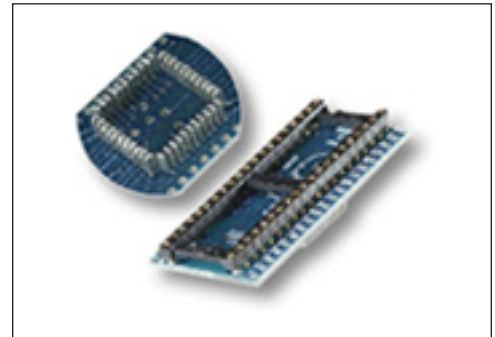
P/N 111163 40-Pin DIP-to-Socketable PLCC Adapter

FEATURES

- Can be used with Intel 80/83C652 and 80C251 microprocessors and any IC that follows standard DIP-to-PLCC pinout conventions.
- Allows user to switch package styles and avoid shortage problems.
- Designed to plug directly into your 44-pin PLCC socket.
- On-board bypass capacitors to reduce power/ground electrical noise.
- All DIP Pins brought out to the side of the adapter's plated-through holes to facilitate troubleshooting or debugging.

GENERAL SPECIFICATIONS

- PCB: natural UL 94V-0 FR-4, 0.062 [1.56] thick with 1-oz. Cu traces
- MALE PINS: Brass 360 1/2-hard per UNS C36000, ASTM B16/B16M
- MALE PIN PLATING: 200 μ [5.08 μ] Sn/Pb per ASTM B579-73 over 100 μ [2.54 μ] Ni per SAE AMS-QQ-N-290
- SOCKET MATERIAL: UL 94V-0 glass-filled 4/6 Nylon
- FEMALE PIN: Brass 360 1/2-hard per UNS C36000, ASTM B16/B16M
- FEMALE PIN PLATING: 10 μ [0.254 μ] Au per MIL-G-45204 over 100 μ [2.54 μ] Ni per SAE AMS-QQ-N-290
- 4-FINGER COLLET CONTACT: BeCu per UNS C17200, ASTM B194-08
- COLLET CONTACT PLATING: 10 μ [0.254 μ] Au per MIL-G-45204 over 50 μ [127 μ] Ni per SAE AMS-QQ-N-290
- OPERATING TEMPERATURE: 221°F [105°C]
- INSERTION FORCE: 180g/pin, based on a 0.018 [0.46] dia. test lead
- WITHDRAWAL FORCE: 90g/pin, based on a 0.018 [0.46] dia. test lead
- NORMAL FORCE: 140g/pin, based on a 0.018 [0.46] dia. test lead
- SOCKET ACCEPTS LEADS: 0.015-0.025 [0.38-0.64] dia., 0.100-0.125 [2.54-3.18] long



CUSTOMIZATION: In addition to the standard products shown on this page, Aries specializes in custom design and production. Special materials, platings, sizes, and configurations can be furnished, depending on the quantity. **NOTE:** Aries reserves the right to change product general specifications without notice.

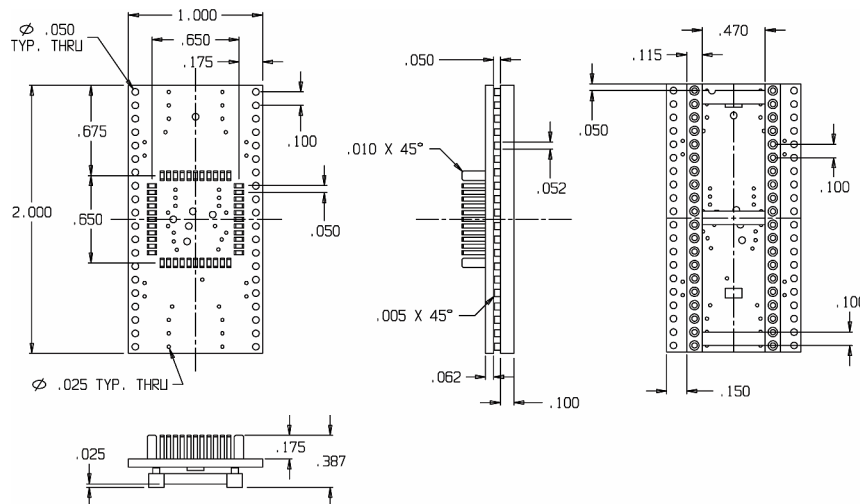
ORDERING INFORMATION

Specify P/N 111163

ALL DIMENSIONS: INCHES [MILLIMETERS]

ALL TOLERANCES: ± 0.005 [0.13] UNLESS OTHERWISE SPECIFIED

CONSULT [DATA SHEET 18027](#) FOR PLCC-TO-DIP ADAPTER WITH INTEL PROCESSORS.



Pin List			
PLCC Pin #	DIP Pin #	PLCC Pin #	DIP Pin #
1	20	23	--
2	1	24	21
3	2	25	22
4	3	26	23
5	4	27	24
6	5	28	25
7	6	29	26
8	7	30	27
9	8	31	28
10	9	32	29
11	10	33	30
12	--	34	--
13	11	35	31
14	12	36	32
15	13	37	33
16	14	38	34
17	15	39	35
18	16	40	36
19	17	41	37
20	18	42	38
21	19	43	39
22	20	44	40



ARIES
ELECTRONICS, INC.

Bristol, PA 19007-6810 USA
TEL (215) 781-9956 • FAX (215) 781-9845
WWW.ARIESELEC.COM • INFO@ARIESELEC.COM