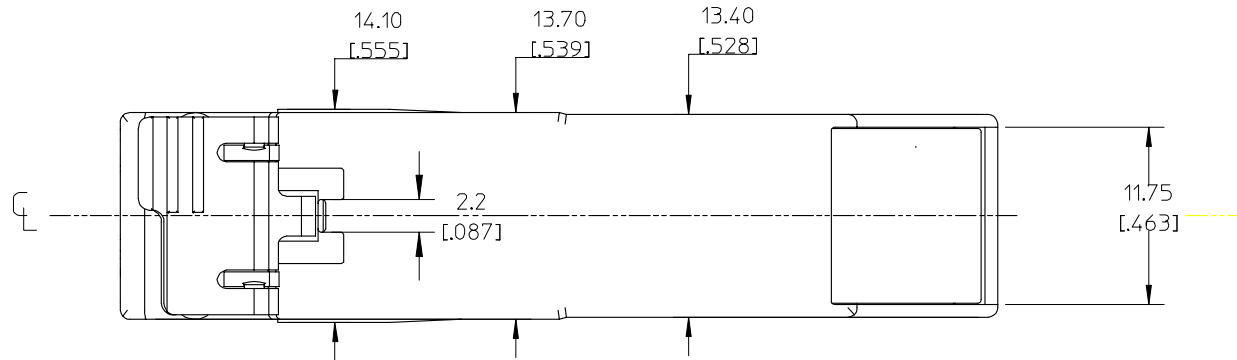
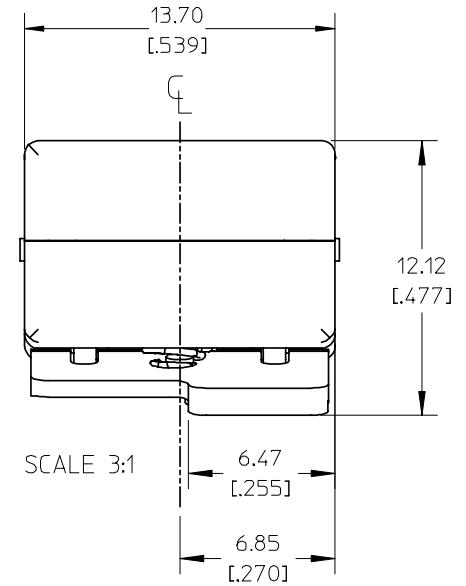
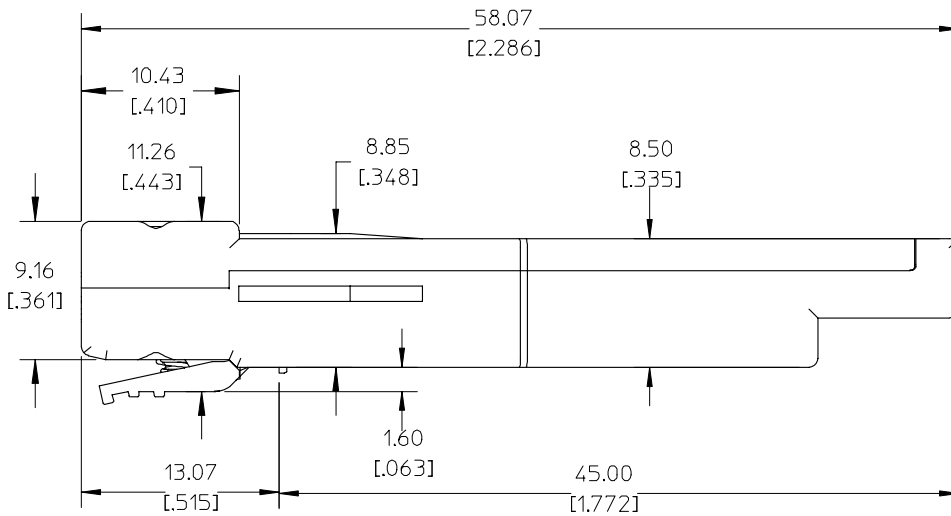


1. Mates to SFP components which comply to standard MSA dimension specifications.
2. Robust zinc die cast body, bright nickel plated. Mounts belly-to-belly using .093"+ boards.
3. Raised wedges assure electrical contact with surrounding EMI cage assembly.
4. Spring loaded latch releases with simple squeeze, and pull action.

EC NO: USY20026-10205 DRWN: JERWIN 2005/08/24 CHK: APPR: KLOYD 2005/08/24	QUALITY SYMBOLS ▴ -0 ▽ -0	GENERAL TOLERANCES (UNLESS SPECIFIED)		SCALE 6:1	DESIGN UNITS METRIC	☉ □ THIRD ANGLE PROJECTION	REVISE ON CAD ONLY				
			mm	INCH	DIMENSION STYLE		TITLE SFP EMI PLUG				
					MM/IN						
		4 PLACES	± ---	± ---	DRAWN BY	DATE	MOLEX INCORPORATED				
		3 PLACES	± ---	± .005	DIRKERS	2002/05/01					
2 PLACES	± 0.13	± ---	CHECKED BY	DATE	MATERIAL NO. 747200510		DOCUMENT NO. SD-74720-0510		SHEET NO. 1 OF 2		
1 PLACE	± ---	± ---	DIRKERS	2002/05/01							
ANGULAR ± 1/2 °			APPROVED BY		DATE						
DRAFT WHERE APPLICABLE			RUSSELL		2002/05/01	THIS DRAWING CONTAINS INFORMATION THAT IS PROPRIETARY TO MOLEX INCORPORATED AND SHOULD NOT BE USED WITHOUT WRITTEN PERMISSION					
MUST REMAIN WITHIN DIMENSIONS											



EC NO: USY2006-10005 DRWN: JERWIN 2005/08/24 CHK: APPR: KLOYD 2005/08/24 REV DESCRIPTION	QUALITY SYMBOLS	GENERAL TOLERANCES (UNLESS SPECIFIED)		SCALE 2:1	DESIGN UNITS METRIC	THIRD ANGLE PROJECTION	REVISE ON CAD ONLY		
	▽ - 0 ∇ - 0		mm	INCH	DIMENSION STYLE MM/IN		TITLE SFP EMI PLUG		
		4 PLACES	± ---	± ---	DRAWN BY DIRKERS	DATE 2002/05/01			
		3 PLACES	± ---	± .005	CHECKED BY DIRKERS	DATE 2002/05/01			
		2 PLACES	± 0.13	± ---	APPROVED BY RUSSELL	DATE 2002/05/01	MATERIAL NO. 747200510	DOCUMENT NO. SD-74720-0510	SHEET NO. 2 OF 2
		1 PLACE	± ---	± ---	DRAFT WHERE APPLICABLE MUST REMAIN WITHIN DIMENSIONS		THIS DRAWING CONTAINS INFORMATION THAT IS PROPRIETARY TO MOLEX INCORPORATED AND SHOULD NOT BE USED WITHOUT WRITTEN PERMISSION		