

# Miniature Banana Jack Insulated Rib-Loc® Turret Terminal



INCHES (MILLIMETERS)  
CUSTOMER DRAWINGS AVAILABLE UPON REQUEST

## SPECIFICATIONS

**Contact:** Brass per QQ-B-626D

**Finish:** Silver

**Insulated Handle:** Nylon 6/6 per ASTM D4066

**Panel Thickness:** Up to .313 (80)

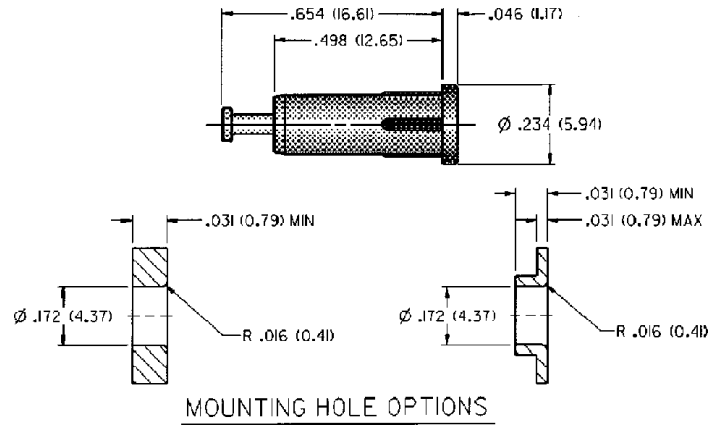
## RATINGS

**Current:** 10 amps

**Breakdown Voltage:** 3500 Vrms minimum

**Contact Resistance:** 0.010 ohms maximum

**Contact-To-Panel C:** 2.4 pF nominal



<b>SILVER PLATING</b>	
108-1103-001	Black

**For Miniature Banana Plug: .120 (3.00) Across Flats**

## FEATURES:

- Hardwareless Rib-Loc® mounting design
- Nylon UL approved for self extinguishing