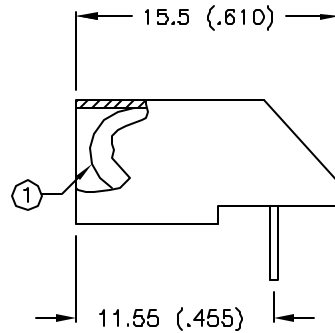
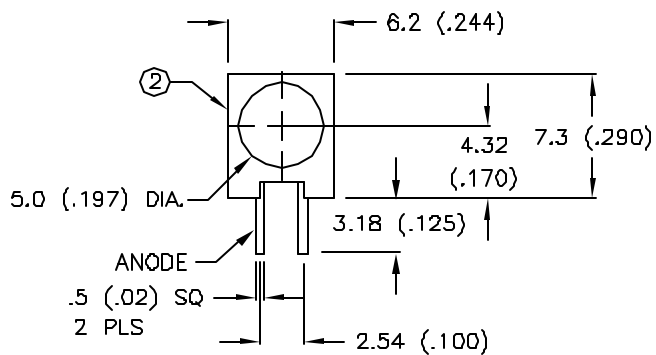


DATE	REVISIONS	REV
6-8-95	UPDATED SPECS./	A

DRAWING NUMBER	REV
SSF-LXH1071ID	A

UNCONTROLLED DOCUMENT



ELECTRO-OPTICAL CHARACTERISTICS TA=25 °C I_f=20mA

PARAMETER	MIN	TYP	MAX	UNITS	TEST COND
PEAK WAVELENGTH		635 (RED)		nm	
FORWARD VOLTAGE		2.1	2.8	V _f	
REVERSE VOLTAGE	5.0			V _r	I _r =100μA
AXIAL INTENSITY		40		mcad	I _f =20mA
VIEWING ANGLE		60		2x theta	
EMITTED COLOR:		RED			
EPOXY LENS FINISH:		RED DIFFUSED			

Ⓐ LIMITS OF SAFE OPERATION AT 25 DEG. C

PARAMETER	MAX	UNITS
PEAK FORWARD CURRENT *	150	mA
STEADY CURRENT	30	mA
POWER DISSIPATION	105	mW
DERATE FROM 25 °C	-1.2	mW/ °C
OPERATING, STORAGE TEMP.	-40 TO +85	°C
LEAD SOLDERING TEMP.	+260	°C
2.0mm FROM BODY		3 SEC. MAX

* t<10μS

NOTES:

- SSL-LX509F3ID LED.
- SSH-LXH1071 WHITE HOLDER.
- TOLERANCE: ±0.25 (±.010).

RELIABILITY NOTE:

OUR MANY YEARS OF EXPERIENCE DATA ACCUMULATION INDICATE THAT SOLDER HEAT IS A MAJOR CAUSE OF EARLY AND FUTURE FAILURE. PLEASE PAY ATTENTION TO YOUR SOLDERING PROCESS.

UNCONTROLLED DOCUMENT

LUMEX OPTO COMPONENTS INC.		292 E. HELLEN ROAD PALATINE, ILLINOIS 60067 (708) 359-2790	
DATE: 9-1-93	APPROVED BY:	DRAWN BY:	
SCALE: N/A			
T-5 (T-1 3/4) RIGHT ANGLE FAULT INDICATOR, RED DIFFUSED			
PAGE 1 OF 1	DRAWING NUMBER SSF-LXH1071ID		REV A