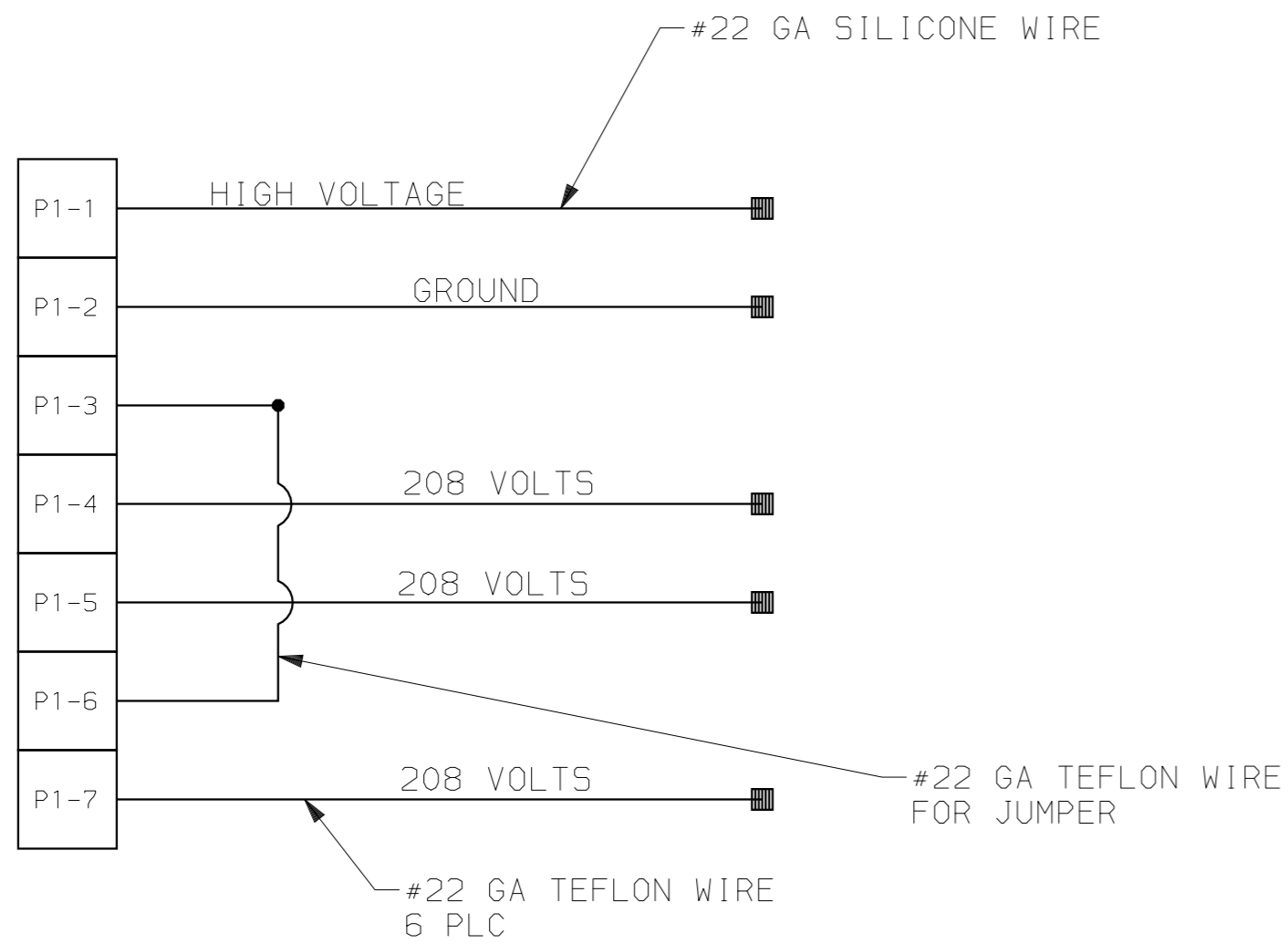
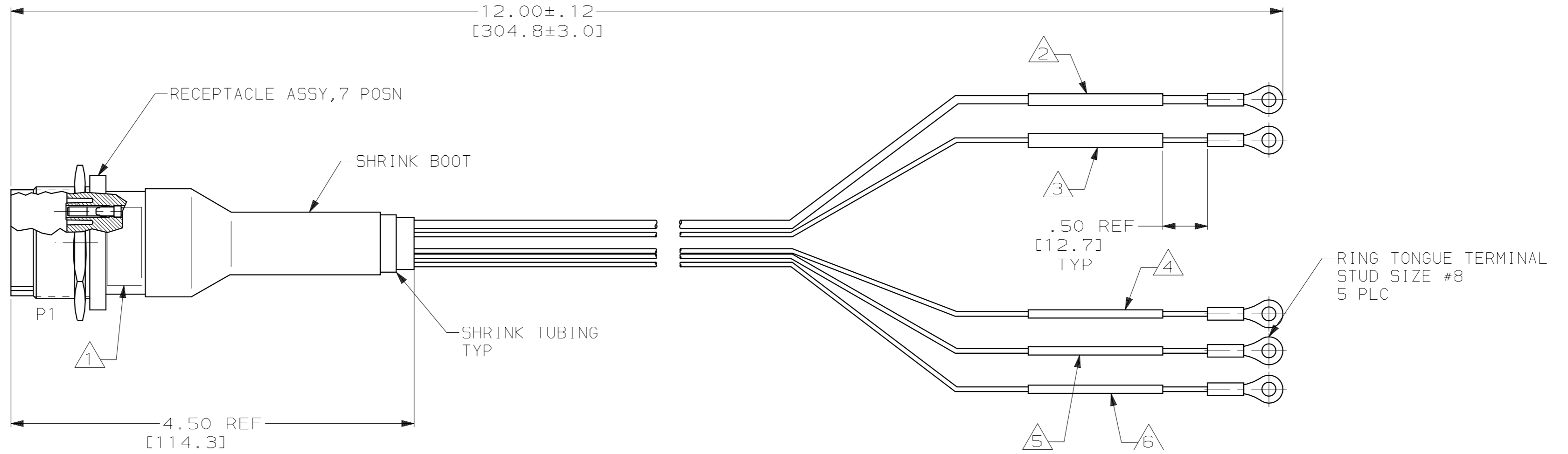


THIS DRAWING IS UNPUBLISHED. RELEASED FOR PUBLICATION
 © COPYRIGHT 19 BY AMP INCORPORATED. ALL RIGHTS RESERVED.

LOC	DIST	REVISIONS			
P	LTR	DESCRIPTION	DATE	DWN	APVD
DF	SO				
	A	REV PER 0G3D-0430-03	3-04	JMK	DE

- 1 MARK AMP INFORMATION PER MIL-STD-130.
- 2 "HIGH VOLTAGE" MARKED ON THIS LEAD PER MIL-STD-130.
- 3 "GROUND" MARKED ON THIS LEAD PER MIL-STD-130.
- 4 "208 VOLTS" AND P1-4 MARKED ON THIS LEAD PER MIL-STD-130.
- 5 "208 VOLTS" AND P1-5 MARKED ON THIS LEAD PER MIL-STD-130.
- 6 "208 VOLTS" AND P1-7 MARKED ON THIS LEAD PER MIL-STD-130.



-	443929-1
CUSTOMER MARKING	PART NO. 1

THIS DRAWING IS A CONTROLLED DOCUMENT.		DWN C.C. THOMAS 8-12-97	AMP Incorporated Harrisburg, PA 17105-3608	
DIMENSIONS: INCHES [mm]		CHK D.EABY 11-18-97	NAME CABLE ASSY, SGL END, LGH	
TOLERANCES UNLESS OTHERWISE SPECIFIED:		APVD D.EABY 11-18-97	PRODUCT SPEC -	
0 PLC ±-		APPLICATION SPEC -		
1 PLC ±-		WEIGHT -		
2 PLC ±.01 [0.3]		SIZE A2		
3 PLC ±-		CAGE CODE 00779		
4 PLC ±-		DRAWING NO C-443929		
ANGLES ±-		RESTRICTED TO -		
FINISH -		SCALE 1:1		
		SHEET 1 OF 1		
		REV A		