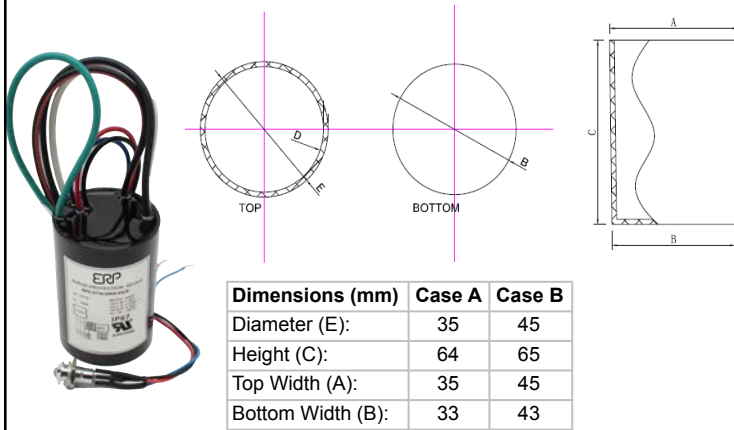


Surge Protectors

ERP Part Number	Nominal Input Voltage (Vac)	MCOV/Uc ⁽⁴⁾ (Vac)	Max. Peak Current (8/20µs) (kA)		Combination Wave (1.2/50µs-8/20µs) (kV/kA)		Measured Limited Voltage (MLV) ⁽³⁾ (V)			Thermal Fuse	EOL (End of Life) Remote Indicator LED	Connection	Case
			Inom ⁽¹⁾	I _{max} ⁽²⁾	Vnom	Vmax	L-N	L-G	N-G				
SPD-277P-10KA	120 to 277	320	5	10	10	20	1230	1400	1420			Parallel	A
SPD-277P-20KA	120 to 277	320	10	20	20	20	1890	1900	1870			Parallel	B
SPD-277S-10KA ⁽⁵⁾	120 to 277	320	5	10	10	20	1140	1140	1130	★		Series	A
SPD-277S-20KA ⁽⁵⁾	120 to 277	320	10	20	20	20	1260	1280	1840	★		Series	B
SPD-277S-20KA-EILR ⁽⁵⁾	120 to 277	320	10	20	20	20	1300	1290	2000	★	★	Series with EOL Remote LED Indicator	B



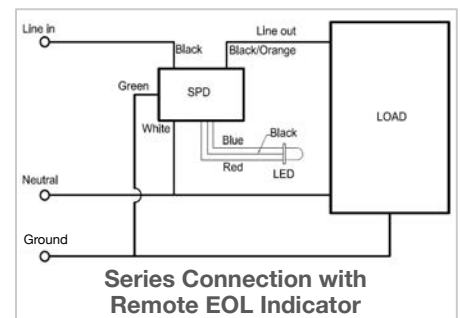
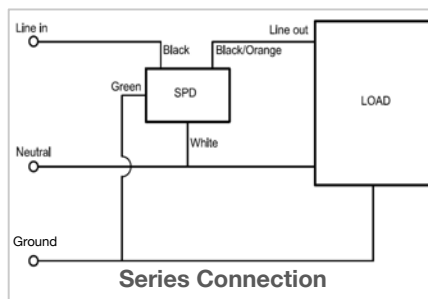
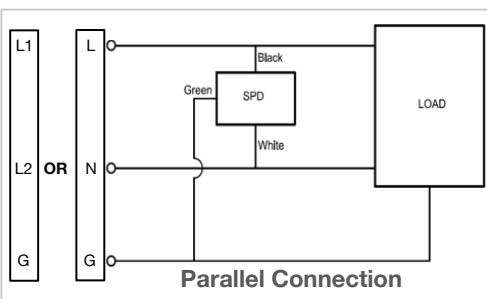
Dimensions (mm)	Case A	Case B
Diameter (E):	35	45
Height (C):	64	65
Top Width (A):	35	45
Bottom Width (B):	33	43

Notes:

- NOMINAL DISCHARGE CURRENT (I_n) (kA):** It is the peak value of the current through the device having a current waveshape of 8/20µs where the device is capable of discharging 15 times.
- MAXIMUM DISCHARGE CURRENT (I_{max}) (kA):** It is the peak value of the current through the device having a current waveshape of 8/20µs where the device is capable of discharging once.
- MEASURED LIMITING VOLTAGE (MLV) (V):** Maximum residual voltage after the application of 8/20µs impulses at nominal discharge current.
- MAXIMUM CONTINUOUS OPERATING VOLTAGE (MCOV/Uc) (Vac):** It is the maximum root-mean-square (rms) voltage that may be continuously applied to the device.
- MAXIMUM CONTINUOUS OPERATING LOAD:** 8 A for "SPD-277S-xxkA"

RoHS

UL US



OVERVIEW

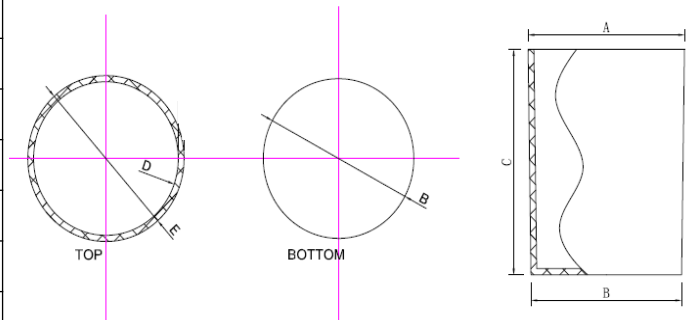
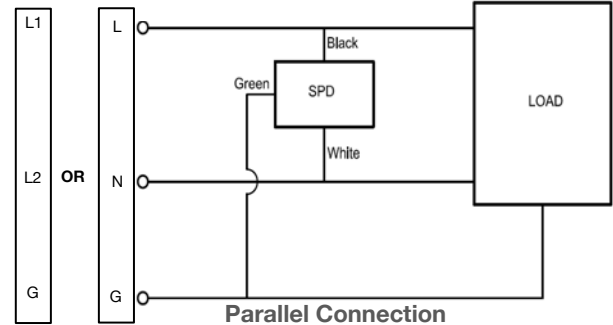
- IP67, optimized for use in outdoor applications
- Protects against surges in accordance with UL1449 and IEEE C62.41.2.C
- 90°C high temperature flameproof enclosure
- CAUTION: Only for use with universal input voltage LED drivers (120 to 277 Vac)

APPLICATIONS

- Additional level of protection from dangerous power line transient in commercial and industrial applications
- Area & Roadway lighting
- Factory, Warehouse, and Distribution Center lighting
- Sports & Stage lighting
- Airports & Dockyard lighting

10 kA/kV Surge Protector, Parallel Connection

Input Voltage (Vac)	120 to 277	
Frequency (Hz)	50/60	
Max Continuous Operating Voltage (Vac)	320	
Max Peak Current (8/20µs) (kA)	Inom	5
	I _{max}	10
Combination Wave (1.2/50µs – 8/20µs) (kV/kA)	V _{nom}	10
	V _{max}	20
Measured Limited Voltage (MLV) (V)	L-N	1230
	L-G	1400
	N-G	1420
Case Dimensions (mm)	Top Width (A)	35
	Bottom Width (B)	33
	Height (C)	64
	Diameter (E)	35
Operating Temperature (°C)	-40 to +85	
Lead Wire Gauge (AWG)	16	
Lead Wire Length (mm)	Black (half-stripped by 10mm)	200±1
	White (half-stripped by 10mm)	200±1
	Green (half-stripped by 10mm)	200±1



RoHS

C_{UL} US



10 kA Strike Rating (8/20 µs)	
1	@ 10,000 A
2	@ 6,500 A
15	@ 5,000 A
110	@ 1,500 A

OVERVIEW

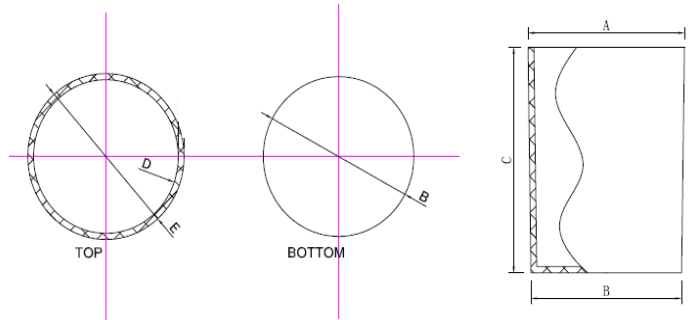
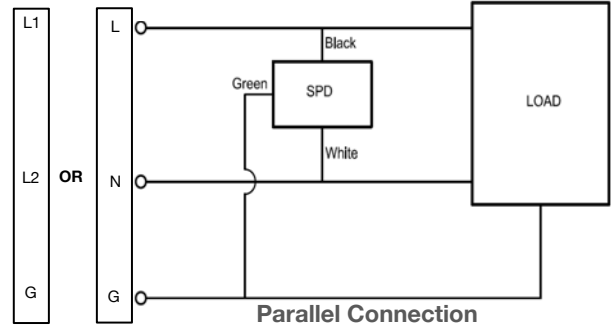
- IP67, optimized for use in outdoor applications
- Protects against surges in accordance with UL1449 and IEEE C62.41.2.C
- 90°C high temperature flameproof enclosure
- CAUTION: Only for use with universal input voltage LED drivers (120 to 277 Vac)

APPLICATIONS

- Additional level of protection from dangerous power line transient in commercial and industrial applications
- Area & Roadway lighting
- Factory, Warehouse, and Distribution Center lighting
- Sports & Stage lighting
- Airports & Dockyard lighting

20 kA/kV Surge Protector, Parallel Connection

Input Voltage (Vac)		120 to 277
Frequency (Hz)		50/60
Max Continuous Operating Voltage (Vac)		320
Max Peak Current (8/20µs) (kA)	Inom	10
	Imax	20
Combination Wave (1.2/50µs – 8/20µs) (kV/kA)	Vnom	20
	Vmax	20
Measured Limited Voltage (MLV) (V)	L-N	1890
	L-G	1900
	N-G	1870
Case Dimensions (mm)	Top Width (A)	45
	Bottom Width (B)	43
	Height (C)	65
	Diameter (E)	45
Operating Temperature (°C)		-40 to +85
Lead Wire Gauge (AWG)		16
Lead Wire Length (mm)	Black (half-stripped by 10mm)	200±1
	White (half-stripped by 10mm)	200±1
	Green (half-stripped by 10mm)	200±1



RoHS

UL US



20 kA Strike Rating (8/20 µs)	
1	@ 25,000 A
2	@ 20,000 A
5	@ 15,000 A
18	@ 10,000 A
130	@ 3,000 A

OVERVIEW

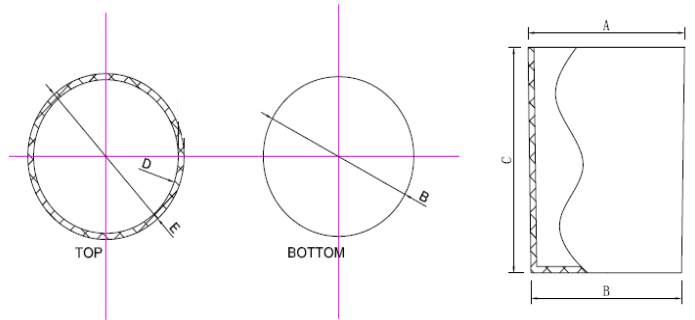
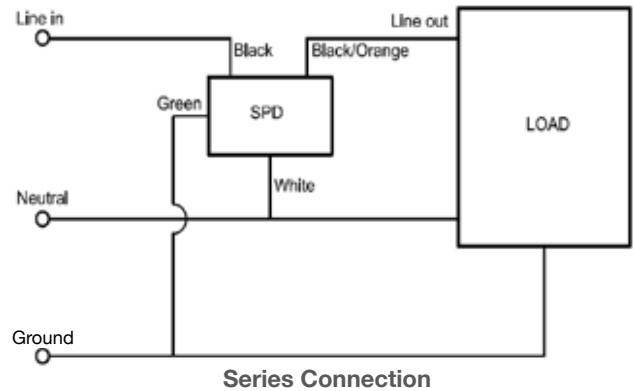
- IP67, optimized for use in outdoor applications
- Protects against surges in accordance with UL1449 and IEEE C62.41.2.C
- 90°C high temperature flameproof enclosure
- CAUTION: Only for use with universal input voltage LED drivers (120 to 277 Vac)

APPLICATIONS

- Additional level of protection from dangerous power line transient in commercial and industrial applications
- Area & Roadway lighting
- Factory, Warehouse, and Distribution Center lighting
- Sports & Stage lighting
- Airports & Dockyard lighting

10 kA/kV Surge Protector, Series Connection, with Thermal Fuse

Input Voltage (Vac)	120 to 277	
Frequency (Hz)	50/60	
Max Continuous Operating Voltage (Vac)	320	
Max Peak Current (8/20µs) (kA)	Inom	5
	I _{max}	10
Combination Wave (1.2/50µs – 8/20µs) (kV/kA)	V _{nom}	10
	V _{max}	20
Measured Limited Voltage (MLV) (V)	L-N	1140
	L-G	1140
	N-G	1130
Case Dimensions (mm)	Top Width (A)	35
	Bottom Width (B)	33
	Height (C)	64
	Diameter (E)	35
Operating Temperature (°C)	-40 to +85	
Lead Wire Gauge (AWG)	16	
Lead Wire Length (mm)	Black (half-stripped by 10mm)	200±1
	White (half-stripped by 10mm)	200±1
	Green (half-stripped by 10mm)	200±1
	Black & Orange (half-stripped by 10mm)	220±1



RoHS

UL US



10 kA Strike Rating (8/20 µs)	
1	@ 10,000 A
2	@ 6,500 A
15	@ 5,000 A
110	@ 1,500 A

OVERVIEW

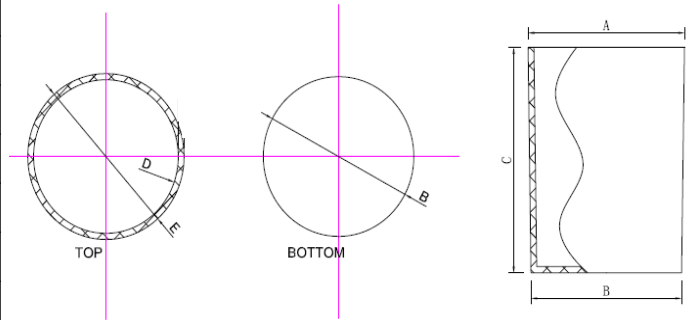
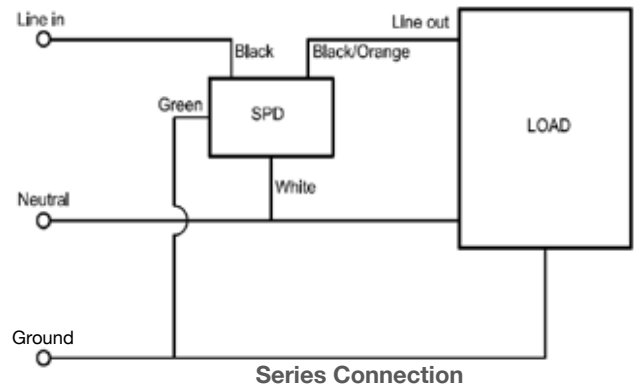
- IP67, optimized for use in outdoor applications
- Protects against surges in accordance with UL1449 and IEEE C62.41.2.C
- 90°C high temperature flameproof enclosure
- 8.0 A maximum continuous operating load
- CAUTION: Only for use with universal input voltage LED drivers (120 to 277 Vac)

APPLICATIONS

- Additional level of protection from dangerous power line transient in commercial and industrial applications
- Area & Roadway lighting
- Factory, Warehouse, and Distribution Center lighting
- Sports & Stage lighting
- Airports & Dockyard lighting

20 kA/kV Surge Protector, Series Connection, with Thermal Fuse

Input Voltage (Vac)	120 to 277	
Frequency (Hz)	50/60	
Max Continuous Operating Voltage (Vac)	320	
Max Peak Current (8/20 μ s) (kA)	Inom	10
	Imax	20
Combination Wave (1.2/50 μ s – 8/20 μ s) (kV/kA)	Vnom	20
	Vmax	20
Measured Limited Voltage (MLV) (V)	L-N	1260
	L-G	1280
	N-G	1840
Case Dimensions (mm)	Top Width (A)	45
	Bottom Width (B)	43
	Height (C)	65
	Diameter (E)	45
Operating Temperature (°C)	-40 to +85	
Lead Wire Gauge (AWG)	16	
Lead Wire Length (mm)	Black (half-stripped by 10mm)	200 \pm 1
	White (half-stripped by 10mm)	200 \pm 1
	Green (half-stripped by 10mm)	200 \pm 1
	Black & Orange (half-stripped by 10mm)	220 \pm 1



RoHS

UL US



20 kA Strike Rating (8/20 μ s)	
1	@ 25,000 A
2	@ 20,000 A
5	@ 15,000 A
18	@ 10,000 A
130	@ 3,000 A

OVERVIEW

- IP67, optimized for use in outdoor applications
- CAUTION: Only for use with universal input voltage LED drivers (120 to 277 Vac)
- Protects against surges in accordance with UL1449 and IEEE C62.41.2.C
- 90°C high temperature flameproof enclosure
- 12.0 A maximum continuous operating load

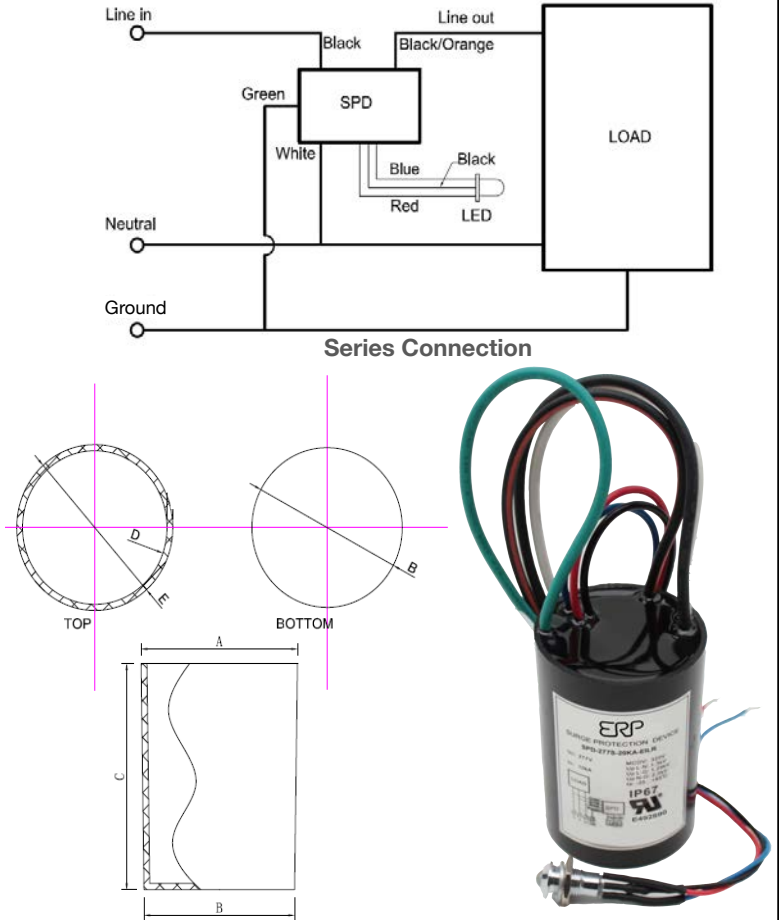
APPLICATIONS

- Additional level of protection from dangerous power line transient in commercial and industrial applications
- Area & Roadway lighting
- Factory, Warehouse, and Distribution Center lighting
- Sports & Stage lighting
- Airports & Dockyard lighting

20 kA/kV Surge Protector, Series Connection, with Thermal Fuse and Remote EOL LED Indicator

Input Voltage (Vac)	120 to 277	
Frequency (Hz)	50/60	
Max Continuous Operating Voltage (Vac)	320	
Max Peak Current (8/20µs) (kA)	Inom	10
	Imax	20
Combination Wave (1.2/50µs – 8/20µs) (kV/kA)	Vnom	20
	Vmax	20
Measured Limited Voltage (MLV) (V)	L-N	1300
	L-G	1290
	N-G	2000
Case Dimensions (mm)	Top Width (A)	45
	Bottom Width (B)	43
	Height (C)	65
	Diameter (E)	45
Operating Temp. (°C)	-40 to +85	
Wire Gauge (AWG)	16	
Lead Wire Length (mm)	Black (half-stripped by 10mm)	200±1
	White (half-stripped by 10mm)	200±1
	Green (half-stripped by 10mm)	200±1
	Black & Orange (half-stripped by 10mm)	220±1

20 kA Strike Rating (8/20 µs)	
1	@ 25,000 A
2	@ 20,000 A
5	@ 15,000 A
18	@ 10,000 A
130	@ 3,000 A



IMPORTANT INFORMATION:
 The SPD-277S-20KA-EILR is shipped with the LED indicator not soldered to the surge protector. Please solder the Red, Blue and Black wires of the LED indicator to respectively the Red, Blue and Black wires coming out of the surge protector.

OVERVIEW

- CAUTION: Only for use with universal input voltage LED drivers (120 to 277 Vac)
- IP67, optimized for use in outdoor applications
- 90°C high temperature flameproof enclosure
- 12 A maximum continuous operating load
- Remote EOL (End of Life) bi-color LED indicator:
 - Green LED On: the device is functional and operating.
 - Red LED On: the device has reached its end of life.

APPLICATIONS

- Additional level of protection from power line transient in commercial and industrial applications
- Area & Roadway lighting
- Factory, Warehouse, Industrial lighting
- Sports & Stage lighting
- Airports & Dockyard lighting

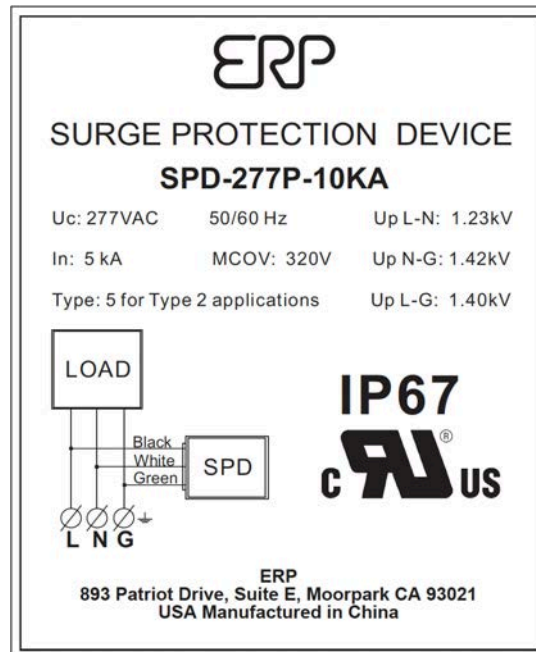
RoHS c US



Surge Protectors

LABELING

An example of label is shown here below, for the SPD-277P-10KA.



USA Headquarters
 Tel: +1-805-517-1300
 Fax: +1-805-517-1411
 893 Patriot Drive, Suite E,
 Moorpark, CA 93021, USA

CHINA Operations
 Tel: +86-756-6266298
 Fax: +86-756-6266299
 No. 8 Pingdong Road 2
 Zhuhai, Guangdong, China 519060

ERP Power, LLC (ERP) reserves the right to make changes without further notice to any products herein. ERP makes no warranty, representation or guarantee regarding the suitability of its products for any particular purpose, nor does ERP assume any liability arising out of the application or use of any product or circuit, and specifically disclaims any and all liability, including without limitation special, consequential or incidental damages. "Typical" parameters which may be provided in ERP data sheets and/or specifications can and do vary in different applications and actual performance may vary over time. All operating parameters, including "Typicals" must be validated for each customer application by customer's technical experts. ERP does not convey any license under its patent rights nor the rights of others. ERP products are not designed, intended, or authorized for use as components in systems intended for surgical implant into the body, or other applications intended to support or sustain life, or for any other application in which the failure of the ERP product could create a situation where personal injury or death may occur. Should Buyer purchase or use ERP products for any such unintended or unauthorized application, Buyer shall indemnify and hold ERP and its officers, employees, subsidiaries, affiliates, and distributors harmless against all claims, costs, damages, and expenses, and reasonable attorney fees arising out of, directly or indirectly, any claim of personal injury or death associated with such unintended or unauthorized use, even if such claim alleges that ERP was negligent regarding the design or manufacture of the part. ERP is an Equal Opportunity/Affirmative Action Employer. This literature is subject to all applicable copyright laws and is not for resale in any manner.