

THIS DRAWING IS UNPUBLISHED. RELEASED FOR PUBLICATION 20  
 © COPYRIGHT 20 BY TYCO ELECTRONICS CORPORATION. ALL RIGHTS RESERVED.

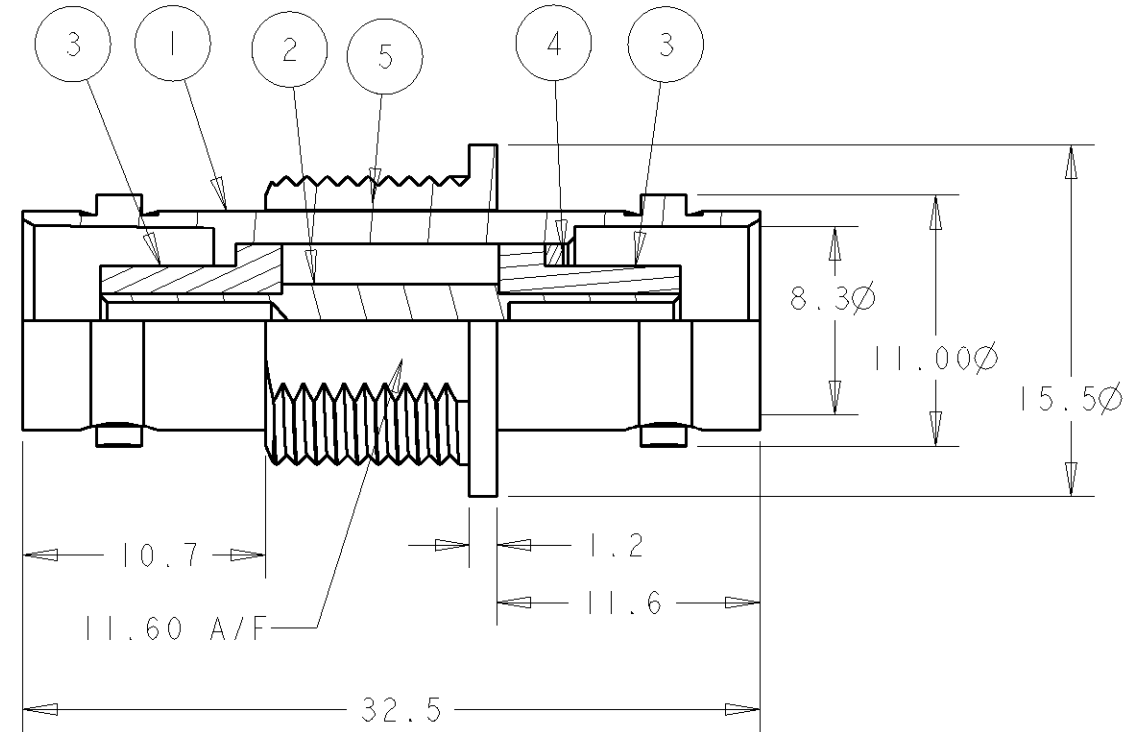
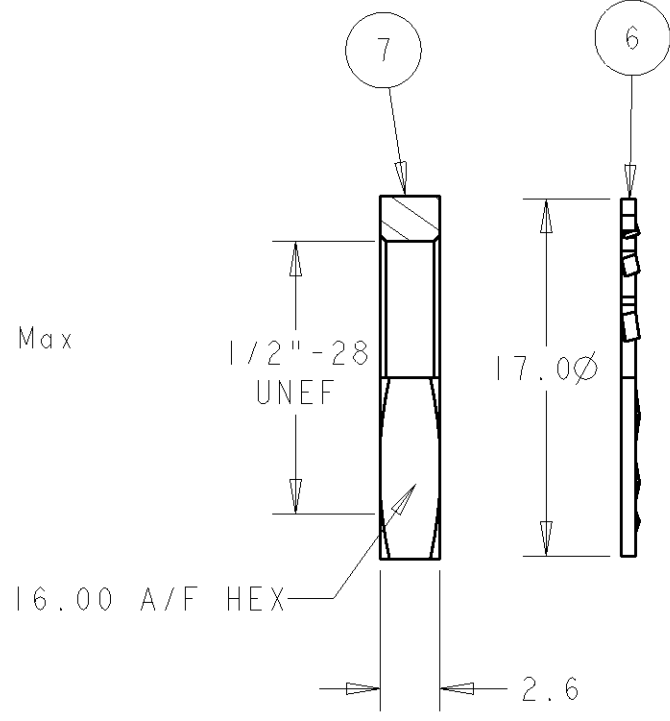
LOC	DIST	REVISIONS					
		P	LTR	DESCRIPTION	DATE	DWN	APVD
B	E		D	ECR-09-007005	29/04/09	MJG	JA

- NOTES:
- 1 PACK IN ACCORDANCE WITH AMP SPEC 107-3275
  - 2 100 TRAY PACK IN ACCORDANCE WITH AMP SPEC 107-3275
  - 3 Au PLATING
  - 4 Ni PLATING

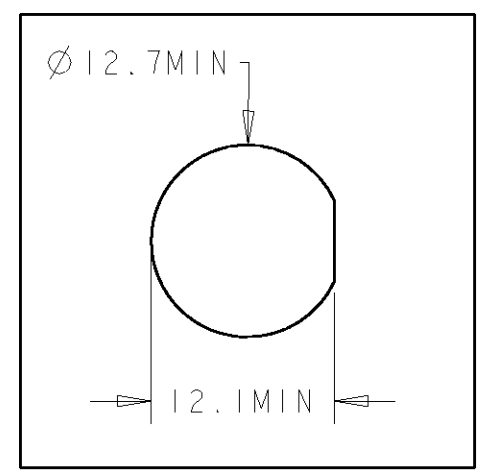
5. ELECTRICAL CHARECTERISTICS  
 FREQUENCY RANGE: DC-4GHz  
 NOMINAL IMPEDANCE 50 Ohm  
 INSULATION RESISTANCE: 5000 MOhm  
 WORKING VOLTAGE: 500 Volts RMS at Sea Level  
 DIELECTRIC WITHSTAND VOLTAGE: 1500 Volts RMS Max  
 CONTACT RESISTANCE  
 CENTRE CONTACT: 1.50 mOhm MAX  
 OUTER CONTACT: 0.20 mOhm MAX  
 VSWR @ xGHz: N/A  
 INSERTION LOSS xdb N/A

6. MECHANICAL CHARECTERISTICS  
 COUPLING RETENTION FORCE: N/A  
 CABLE RETENTION FORCE: N/A  
 MOUNT NUT RECOMMENDED TORQUE: 2N  
 DURABILITY: 500 CYCLES MIN

7. ENVIRONMENTAL CHARECTERISTICS  
 OPERATING TEMPERATURE: -65 to +85°C



RECOMMENDED MOUNTING HOLE



QTY/ASSY	FINISH	MATERIAL	DESCRIPTION	ITEM
1		BRASS	HEX NUT	7
1		STEEL	WASHER	6
1		ABS	INSULATION	5
1		BRASS	SLEEVE	4
2		PTFE	DIELECTRIC	3
1		BRASS	CONTACT	2
1		BRASS	BODY	1
6--0	1--0			

THIS DRAWING IS A CONTROLLED DOCUMENT FOR TYCO ELECTRONICS CORPORATION IT IS SUBJECT TO CHANGE AND THE CONTROLLING ENGINEERING ORGANIZATION SHOULD BE CONTACTED FOR THE LATEST REVISION.

DIMENSIONS:	TOLERANCES UNLESS OTHERWISE SPECIFIED:	DWN	13/12/05	Tyco Electronics UK Ltd. Bideford, North Devon, EX39 4HE
mm		CHK	13/12/05	
	0 PLC ±0.5	APVD	13/12/05	
	1 PLC ±0.5			
	2 PLC ±0.5	PRODUCT SPEC		NAME
	3 PLC ±0.5			BNC INSULATED BULKHEAD ADAPTOR
	4 PLC ±0.5	APPLICATION SPEC		J - J 50 OHM
	ANGLES ±0.5			SIZE
MATERIAL	FINISH	WEIGHT		CAGE CODE
SEE TABLE	-	-		00779
				DRAWING NO
				1337454
				RESTRICTED TO
				-
				SCALE
				NTS
				SHEET
				1 OF 1
				REV
				D

CUSTOMER DRAWING