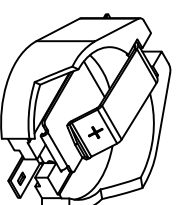
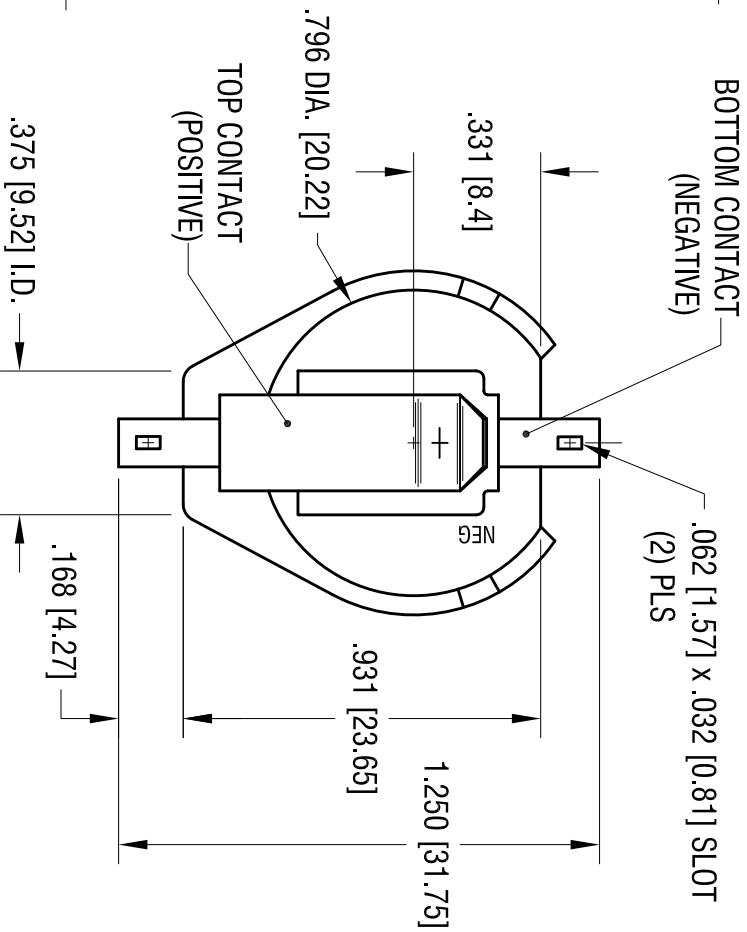
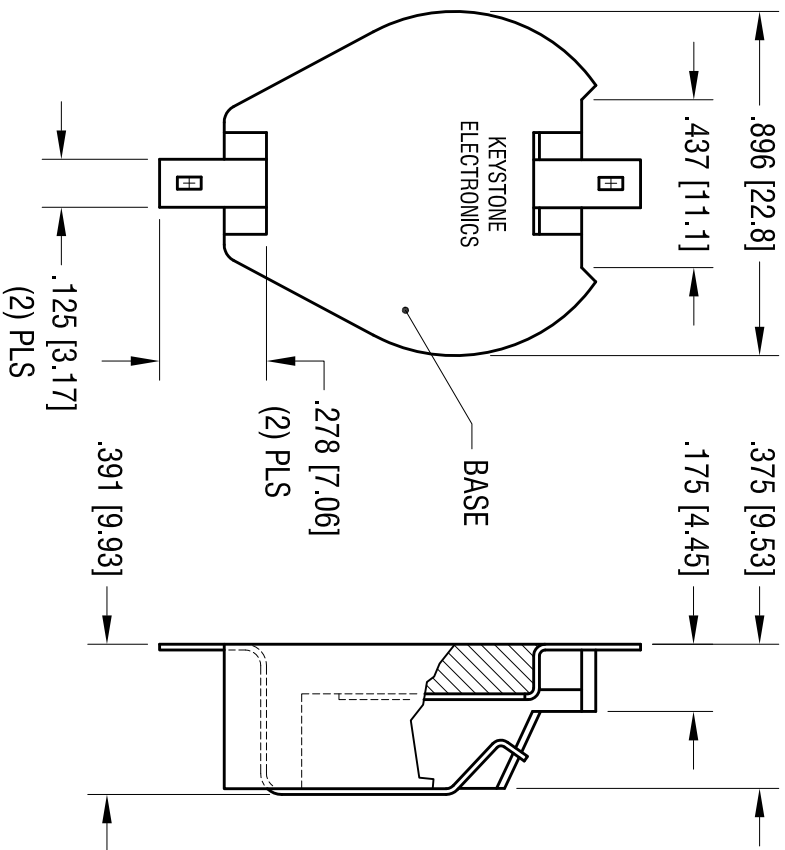
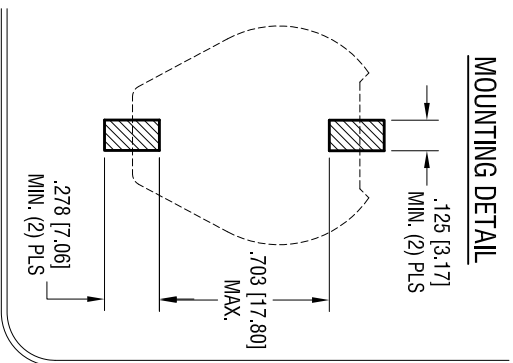


MOUNTING DETAIL



ACTUAL SIZE

- NOTES:**
1. BASE:
MATEL - HIGH TEMPERATURE NYLON (UL 94V-0)
COLOR BLACK
 2. CONTACTS (TOP AND BOTTOM):
MATEL - .015 [0.38] THK SPRING STEEL
FINISH: GOLD FLASH PLATE

DATE	DESCRIPTION	REV.
8.12.11	CHANGE AS PER ECN 11-104	A

KEYSTONE ELECTRONICS CORP.			
www.keystec.com • ASTORIA, N.Y. 11105-2017 • Tel (718) 956-8900			
PART NAME DUAL 20mm BATTERY HOLDER, SMT			
MATERIAL AS NOTED			
FINISH AS NOTED		DRN BY NT	DATE 3.19.09
TOLERANCES DECIMAL ± .010 [± 0.25] ANGULAR ± 1°		CODE C	App'D LN
UNLESS OTHERWISE SPECIFIED		DWG NO.	SCALE 2X
			1094

THIS DOCUMENT IS THE PROPERTY OF KEYSTONE ELECTRONICS CORP. AND SHALL NOT BE REPRODUCED, DISTRIBUTED OR USED AS A BASIS FOR MANUFACTURE WITHOUT PRIOR WRITTEN PERMISSION FROM KEYSTONE ELECTRONICS CORP.