

13 12 11 10 9 8 7 6 5 4 3 2 1

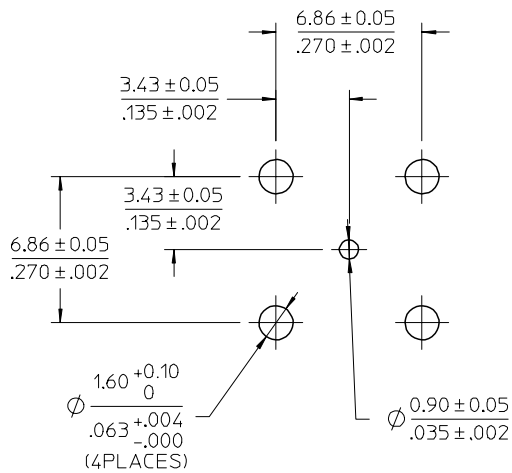
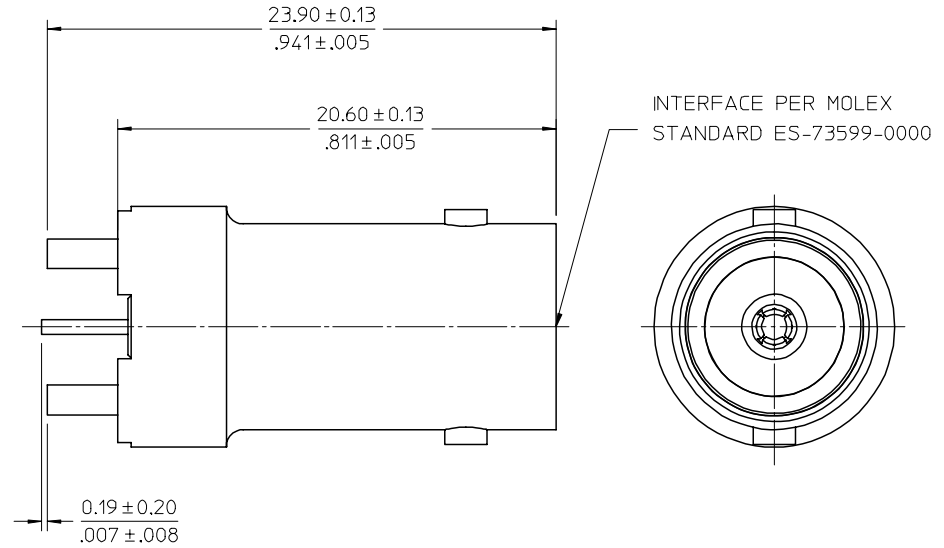
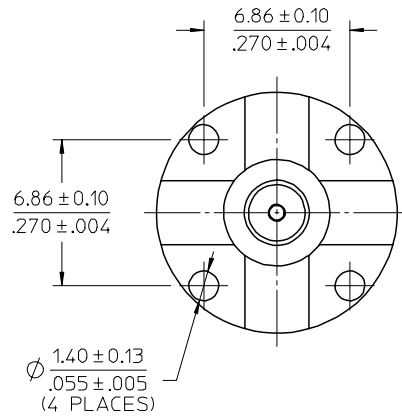
J J

MATERIALS AND FINISHES

BODY ZINC ALLOY  
PLATED NICKEL 70u" MIN

CENTER CONTACT  
PHOSPHOR BRONZE  
PLATED GOLD 30u" MIN

INSULATOR TEFLON



PCB HOLE CONFIGURATION

LOAD TO WM EC NO: URF2008-0099 DRAWN/CLL: 2007/08/17 CHKD: 2007/08/17 APPR: MHIANG 2007/08/17 REV: C1	QUALITY SYMBOLS ▽=0 ▽=0	GENERAL TOLERANCES (UNLESS SPECIFIED)		DIMENSION STYLE MM/IN		SCALE	DESIGN UNITS METRIC	THIRD ANGLE PROJECTION			
		4 PLACES ± --- ± ---	mm INCH	DRAWN BY CLL I	DATE 05/07/02	TITLE BNC JACK VERTICAL PCB 75 OHM BNC-J/PCB					
		3 PLACES ± --- ± ---		CHECKED BY BETTY	DATE 05/07/02	MOLEX INCORPORATED					
		2 PLACES ± --- ± ---		APPROVED BY MISEN	DATE 05/07/02	MATERIAL NO. 73101-0360		DOCUMENT NO. SD-73101-036	SHEET NO. 1 OF 1		
1 PLACE ± --- ± ---		ANGULAR ± 2 °		DRAFT WHERE APPLICABLE MUST REMAIN WITHIN DIMENSIONS							
THIS DRAWING CONTAINS INFORMATION THAT IS PROPRIETARY TO MOLEX INCORPORATED AND SHOULD NOT BE USED WITHOUT WRITTEN PERMISSION											

A A

12 11 10 9 8 7 6 5 4 3 2 1