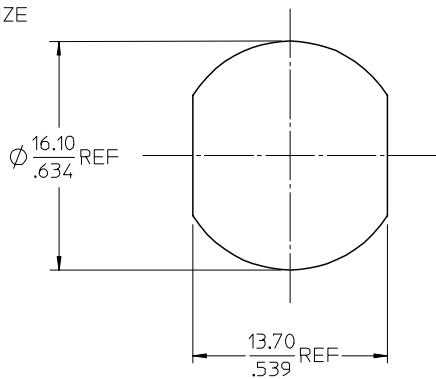


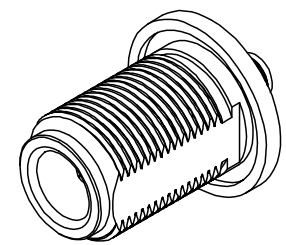
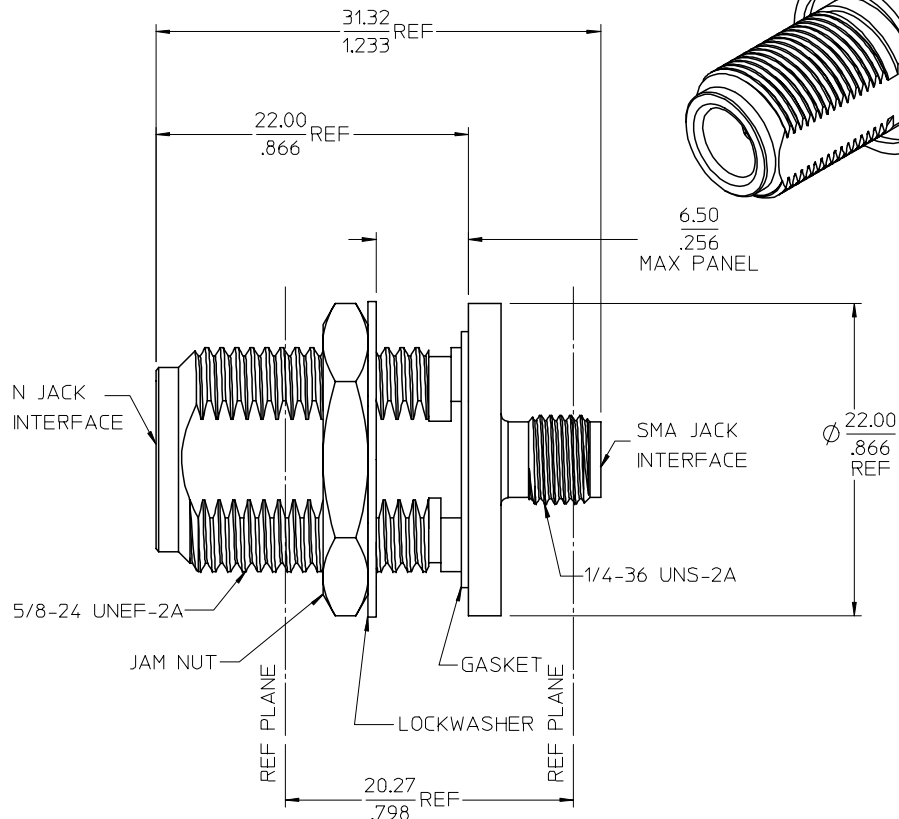
13 12 11 10 9 8 7 6 5 4 3 2 1

MATERIALS AND FINISHES

- J BODY STAINLESS STEEL
PASSIVATED
- I JAM NUT BRASS
PLATED NICKEL
- H CENTER CONTACT BERYLLIUM COPPER
PLATED GOLD
- H INSULATOR TEFLON
- G GASKET SILICONE RUBBER
- G LOCK WASHER PHOSPHOR BRONZE
PLATED NICKEL



RECOMMENDED MOUNTING HOLE



| | |
|-------------------------|-----------------------|
| MIL-STD-348A, FIG 304-2 | N INTERFACE |
| MIL-STD-348A, FIG 310-2 | SMA INTERFACE |
| PS-89675-2720 | ELEC/MECH PERFORMANCE |
| SPECIFICATION | DESCRIPTION |

| | |
|------------|-------------------------|
| 73386-1091 | 73386-1090, ONE PER BAG |
| 73386-1090 | BULK |
| PART NO. | PACKAGING |

| | | | | | | | | |
|--|---|-----------------------------|---------------------------------------|------------------------|--------------------------|-----------------------|--|------------------------|
| CHG: ADDED P/N 73386-1091 | EC NO: URF2007-0287 DRAWN: FLAHERTY 2007/02/08 CHKD: SHAH 2007/02/08 APPR: JIM ENER 2007/02/08 | QUALITY SYMBOLS =0 =0 | GENERAL TOLERANCES (UNLESS SPECIFIED) | | DIMENSION STYLE MM/IN | SCALE | DESIGN UNITS METRIC | THIRD ANGLE PROJECTION |
| | | | 4 PLACES ± .004 ± .004 | 3 PLACES ± .005 ± .005 | 2 PLACES ± .006 ± .006 | 1 PLACE ± .008 ± .008 | ANGULAR ± 2 ° | DRAWN BY JM |
| DRAFT WHERE APPLICABLE MUST REMAIN WITHIN DIMENSIONS | | | MATERIAL NO. | | DATE 2005/08/23 | MOLEX INCORPORATED | | SHEET NO. 1 OF 1 |
| SIZE C | | | SEE TABLE | | SD-73386-109 | | THIS DRAWING CONTAINS INFORMATION THAT IS PROPRIETARY TO MOLEX INCORPORATED AND SHOULD NOT BE USED WITHOUT WRITTEN PERMISSION | |