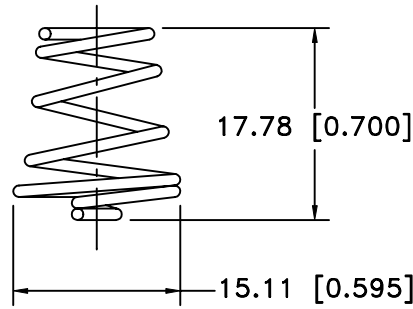
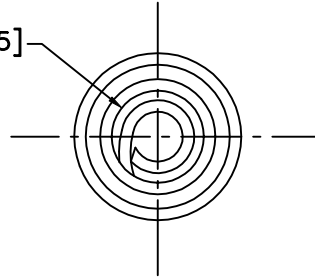
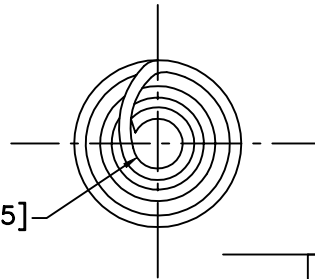


Date	SYM	REVISION RECORD	AUTH	DR.	CK.

Ø8.25 [Ø0.325]



Ø4.45 [Ø0.175]



**NOTES:**

**MATERIAL: SPRING STEEL WIRE, NICKLE PLTD**

Tolerance  
(Except as noted)



Memory Protection Devices, Inc

200 Broad Hollow Road, Farmingdale, New York 11735

decimal  
±.5 (.020)

Scale

Drawn By B.S.

Approved By T.B.

Fractional  
± .8 (.030)

Title

D BATTERY SPRING CONTACT

Angular  
± 3°

Date

05/25/01

Drawing Number

BC-D