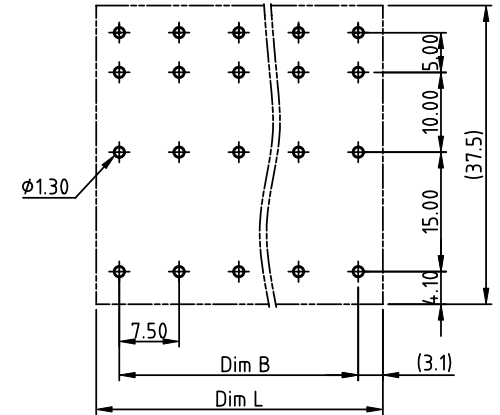
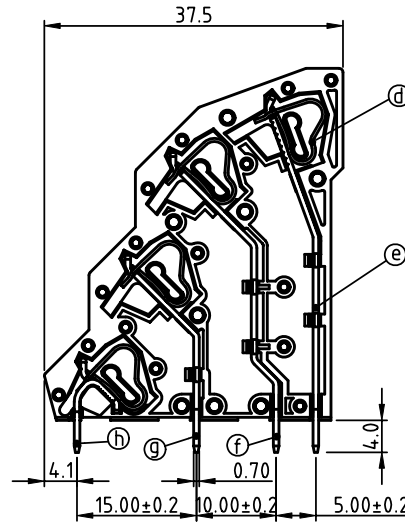
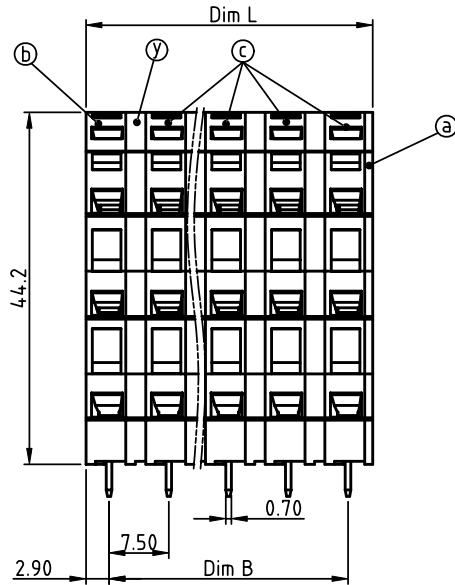


PRODUCT NUMBER	PITCH
HSxx10x000J0G	7.50mm



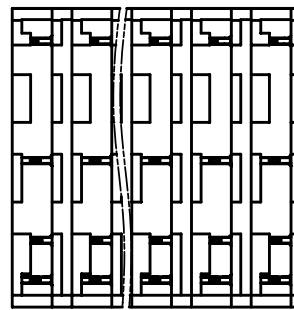
RECOMMENDED P.C.B LAYOUT  
TOP VIEW

Material:

- Item (a) Insulator (Cover): Thermoplastic (UL94V-0)
- Item (b) Insulator (Side housing): Thermoplastic (UL94V-0)
- Item (c) Insulator (Middle housing): Thermoplastic (UL94V-0)
- Item (d) Spring clamp: Stainless steel
- Item (e) Solder Pin (The fourth layer): Brass, Tin plated
- Item (f) Solder Pin (The third layer): Brass, Tin plated
- Item (g) Solder Pin (The second layer): Brass, Tin plated
- Item (h) Solder Pin (The first layer): Brass, Tin plated
- Item (y) Insulator (pad board): Thermoplastic (UL94V-0)

Electrical:

- Voltage rating: 300V
- Current rating: 10A
- Wire range:
  - Solid wire (AWG): 12-28
  - Stranded wire (AWG): 12-28
- Wire strip length: 6-7mm
- Withstanding Voltage: 1.6KV
- Operating temperature: -40°C to +115°C
- Soldering temperature: 260°C±5°C/5 Sec
- Safety Approval: us



N=Number of poles  
Dim L=N/4×7.50+1.0  
Dim B=(N/4-1)×7.50

Poles	Dim L	Dim B
4×2p-4×4p	±0.15	±0.15
4×5p-4×8p	±0.25	±0.25
4×9p-4×12p	±0.35	±0.30
4×12p-4×16p	±0.45	±0.40

PART NO.: HS xx 10 x 000J0 G

No. of poles	Color	RoHS compliant (lead<4%) In copper Alloy
0	Black (RAL9005)	
End Stackable	2 Red (RAL3001/D)	
08 4x2 poles	3 Orange (RAL2011/P)	
12 4x3 poles	4 Yellow (RAL1018/A)	
...	5 Green (RAL6018/T)	
64 4x16 poles	6 Blue (RAL5015/A)	
	8 Grey (RAL7004/P)	
	9 White (RAL1102)	
	C Multiple colors	

mat'l. code		surface ASME Y14.5	tolerance ASME Y14.5	projection	product family
ltr ecn no dr date		tolerances unless otherwise specified			TERMINAL BLOCK
		angles	X.±0.5	MM	title
		fil	X.X±0.3		TERMINAL BLOCK
		X*±1*	X.XX±0.1	scale	SPRING CLAMP, 4SD WIRE INLET, 4-LEVEL, PARALLEL TYPE
		dr	EVIN ZHONG 053014		dwg no
		enr	EVIN ZHONG 053014		sheet 1 of 1
		chr	HANKE FENG 053014		size
		appd	SHI JUN 053014		A4
sheet index	revision sheet	A			type CUSTOMER Drawing