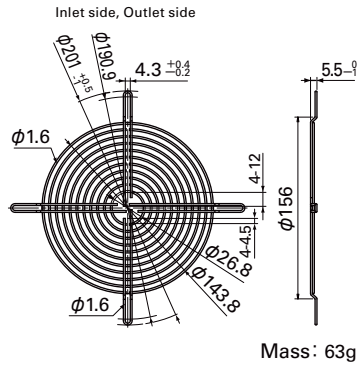


Dimensions (unit : mm)

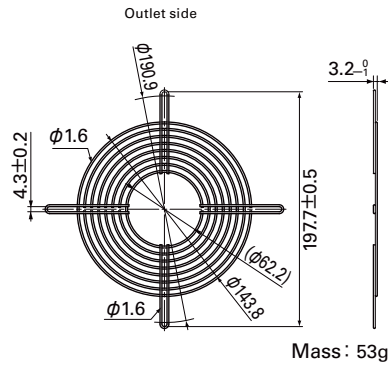
150mm sq. type

Model : 109-1051 Surface treatment : Nickel-chrome plating Color (silver)



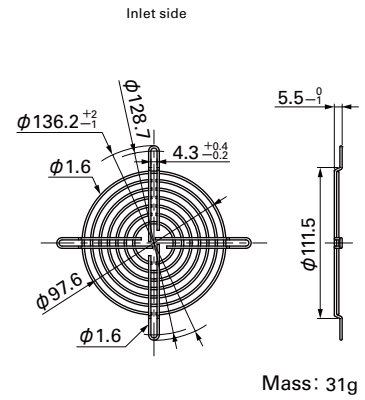
150mm sq. type

Model : 109-1052 Surface treatment : Nickel-chrome plating Color (silver)



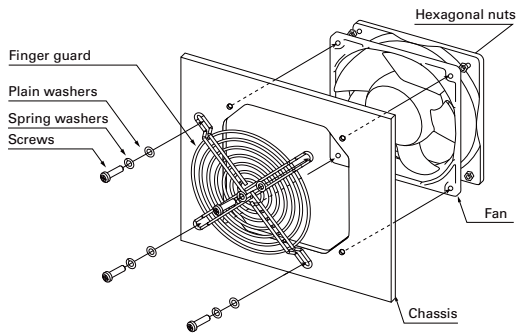
$\phi 150$ mm type

Model : 109-1104 Surface treatment : Nickel-chrome plating Color (silver)
: 109-1104H Surface treatment : Cation electropainting (black)



Mounting example

Axial fan



Centrifugal fan

