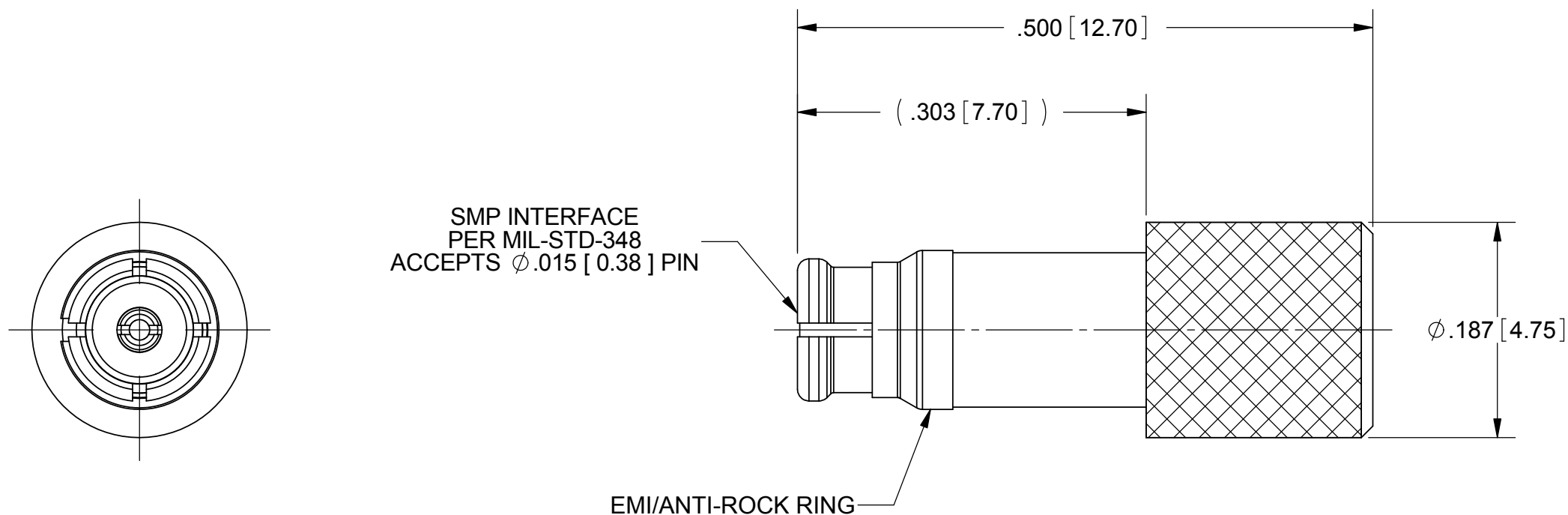


PRODUCT DATA DRAWING

REVISION HISTORY			
REV	DESCRIPTION	DATE	APPROVED
-	NRN 36488	01/11	STW
A	DCN 38277	06/11	STW



MATERIALS:

BODY, CONTACT, EMI/ANTI-ROCK RING & CAP:

BERYLLIUM COPPER ALLOY PER ASTM B196 ALLOY No. UNS17300 TD04

INSULATOR:
RESISTOR ELEMENT:

PTFE PER ASTM D1710
ALUMINA SUBSTRATE WITH NICHROME RESISTOR

FINISHES:

BODY, CONTACT, EMI/ANTI-ROCK RING & CAP:

GOLD PER ASTM B488, TYPE II, GRADE C, CLASS 1.27, OVER NICKEL PER AMS-QQ-N-290, CLASS 1

ELECTRICAL:

IMPEDANCE:
FREQ. RANGE:
VSWR:
OPER. TEMP:
AVG. POWER:

50 OHMS
DC TO 26.5 GHZ
1.25:1, DC TO 26.5 GHZ
-55 °C TO +125 °C
1/2 WATT (POWER INPUT DERATED LINEARLY FROM 25 °C TO .05 WATTS AT 125 °C)
100 WATTS, PULSE WIDTH OF 5 MICROSECONDS AND A DUTY CYCLE OF 5 X10-4

MATERIAL: SEE NOTES	DIMENSIONS ARE IN INCHES TOLERANCES: FRACTIONAL: ±1/64 ANGULAR: X° ±1'0" X"X' ±15'	UNLESS OTHERWISE SPECIFIED 1) ALL DIMENSIONS ARE IN INCHES (MILLIMETERS) 2) ALL DIMENSIONS ARE AFTER PLATING. 3) BREAK CORNERS & EDGES .005 R. MAX. 4) CHAM. 1ST & LAST THREADS. 5) SURFACE ROUGHNESS 63-MIL-STD-10. 6) DIA.'S ON COMMON CENTERS TO BE CONCENTRIC WITHIN .005 T.I.R. 7) REMOVE ALL BURRS	SV Microwave, Inc. 2400 Centrepark West Drive, Suite 100 West Palm Beach, FL 33409 TITLE: SMP FEMALE TERMINATION 1/2 WATT	
FINISH: SEE NOTES	DECIMAL: X ±.030 .XX ±.010 .XXX ±.005			
SURFACE AREA: N/A	INTERPRET DIMENSIONS AND TOLERANCES PER ASME Y14.5M - 1994	THIRD ANGLE PROJECTION	DRAWN: JMC 03/04/08	SIZE: B
PROPRIETARY THE INFORMATION CONTAINED IN THIS DRAWING IS THE SOLE PROPERTY OF SV MICROWAVE, INC. ANY REPRODUCTION IN PART OR AS A WHOLE WITHOUT THE WRITTEN PERMISSION OF SV MICROWAVE, INC IS PROHIBITED.		CHECKED: SVG 03/04/08	DWG. NO. 8012-4006	CAGE CODE 95077
			APPROVED: SVG 03/04/08	SCALE: 8:1