

This document is the property of Amphenol Corporation and is delivered on the express condition that is not to be disclosed, reproduced or used, in whole or in part, for manufacture or sale by anyone other than Amphenol Corporation without its prior consent, and that no right is granted to disclose or to use any information in this document.  
 The marking on this product doesn't contain environmental hazardous material and must follow one or more specifications per Material Specification SS-00259 for Sony GP compliant or per directive 2011/65/EU for RoHS compliant or per IEC 61249-2-21 for Halogen Free compliant.

**ORIGINAL**

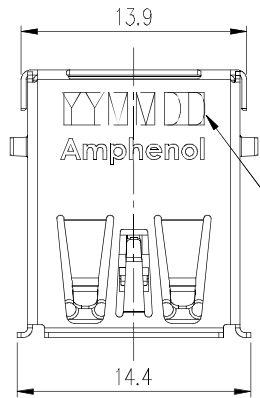
REVISIONS				
SYM	ECN No.	DESCRIPTION	DATE	BY
A	NE-14119	RELEASE TO PRODUCTION	06/20/2014	Sondra Sang
B	NE-14133	MODIFIED TAIL LENGTH	07/10/2014	Sondra Sang

**PART NUMBER:**  
 GSB4 111 3 X X HR

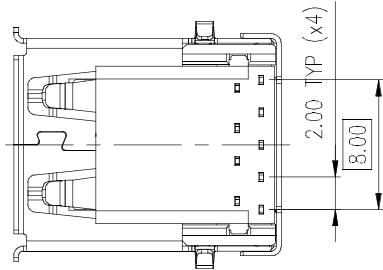
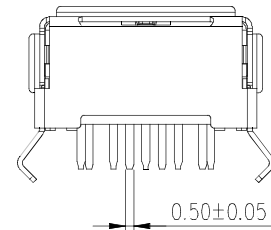
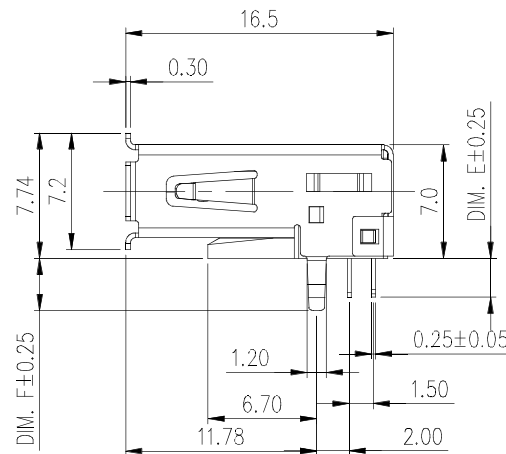
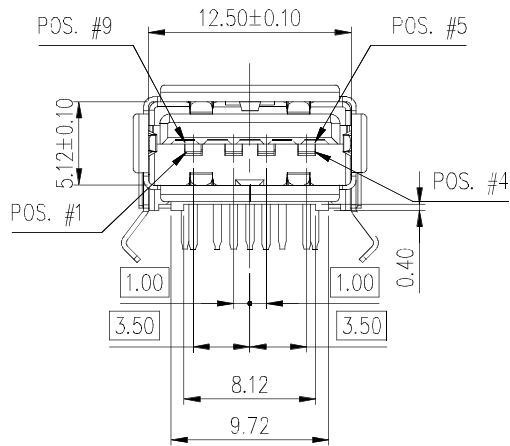
**CONTACT FINISH**  
 3: 30μ" GOLD

**SOLDER TAIL LENGTH**  
 2: 2.40mm (STANDARD)  
 3: 3.00mm

**INSULATOR AND COLOR**  
 1: LCP, Blue  
 3: LCP, Black  
 4: Nylon, Blue  
 6: Nylon, Black



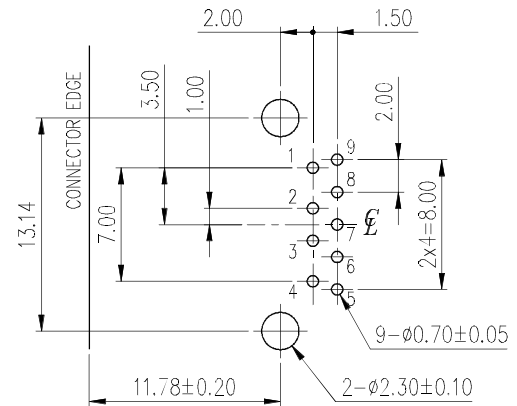
**DATE CODE : YYMMDD**  
 (exp. 140612)



PART NO	DIM. E	DIM. F
GSB41113X2HR	2.4	3.2
GSB41113X3HR	3.0	3.6

PIN #	SIGNAL NAME
1	VBUS
2	D-
3	D+
4	GND
5	SSRX-
6	SSRX+
7	GND_DRAIN
8	SSTX-
9	SSTX+
SHELL	SHIELD

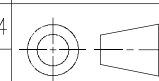
**PIN ASSIGNMENT**



**RECOMMENDED PCB LAYOUT- TOP VIEW**  
 (OTHER GENERAL TOLERANCES: ±0.05)

- NOTES:**
- HOUSING: HIGH TEMPERATURE THERMOPLASTIC, UL 94V-0 OR 94H-B, COLOR- OPTIONAL
  - BOTTOM COVER: HIGH TEMPERATURE THERMOPLASTIC, UL 94V-0, COLOR- OPTIONAL
  - CONTACT: COPPER ALLOY, 0.25mm THICKNESS, 30μ" MIN. GOLD PLATED ON CONTACT AREA, 120μ" MIN. MATTE TIN PLATED ON SOLDERING TAIL, 80μ" MIN. NICKEL UNDER-PLATED OVERALL
  - METAL SHELL: COPPER ALLOY, 0.3mm THICKNESS, 50μ" MIN. NICKEL UNDER-PLATED OVERALL
  - THIS PRODUCT DOESN'T CONTAIN ENVIRONMENTAL HAZARDOUS MATERIALS PER DIRECTIVE 2011/65/EU FOR RoHS AND PER IEC 61249-2-21 FOR HALOGEN FREE COMPLIANT.

TOLERANCE	APPROVALS	DATE	TITLE
X. ±0.30	DRAWN Sondra Sang	7/10/2014	USB 3.1 CONNECTOR STANDARD A R/A DIP TYPE
X.X ±0.20	CHECKED Chenny Yeh	7/10/2014	
X.XX ±0.10	APPROVED Hank Hsu	7/10/2014	
ANGULAR ±1°	DWG TYPE CUST DWG	PROJECT CODE T502	
UNLESS OTHERWISE SPECIFIED			



UNIT	mm	SIZE	A3
SCALE	NA	SHEET	1 OF 1

PART No.	GSB4 111 3XX HR	REV.	B
DWG No.	GSB41113XXHR		