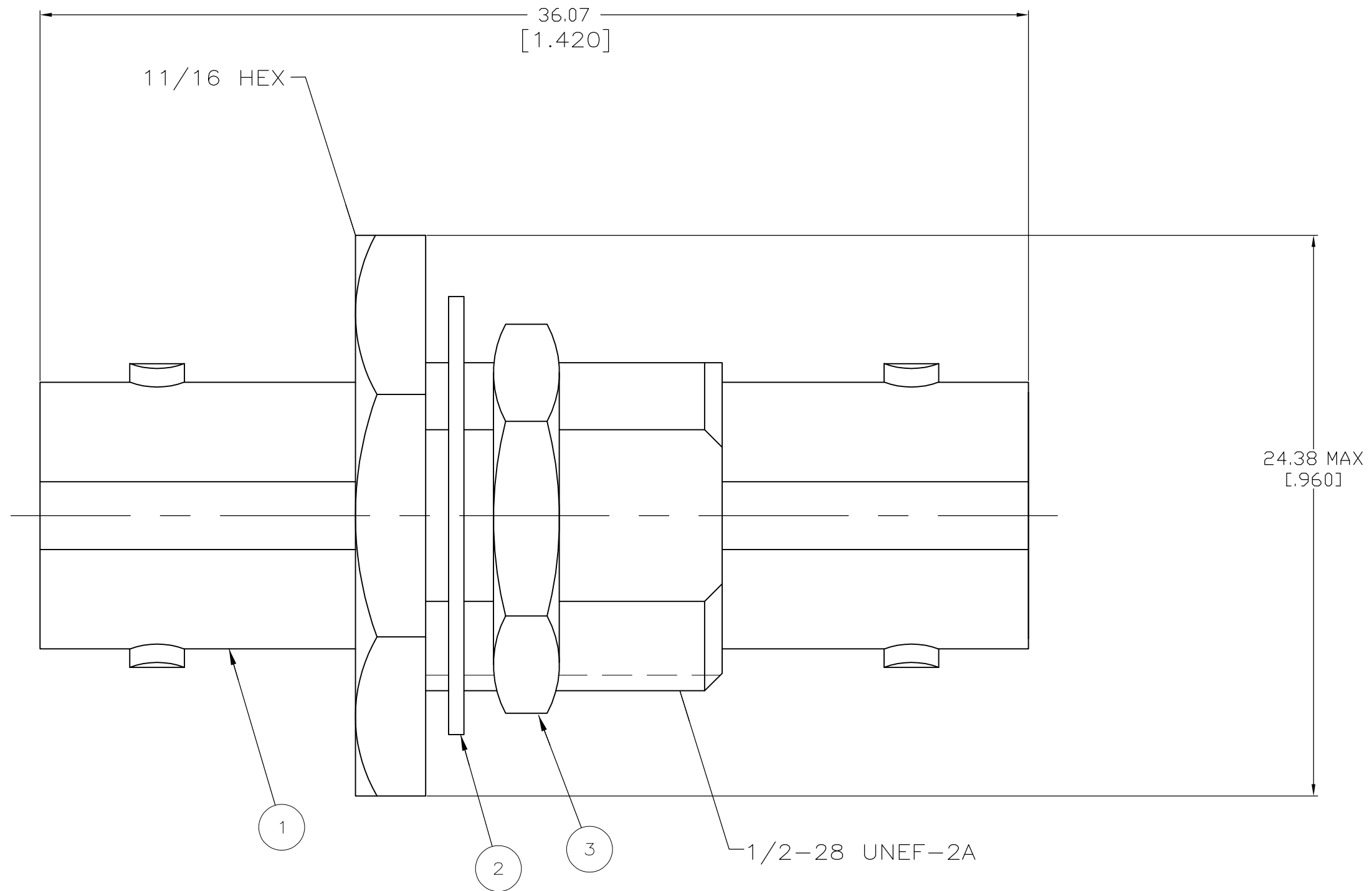
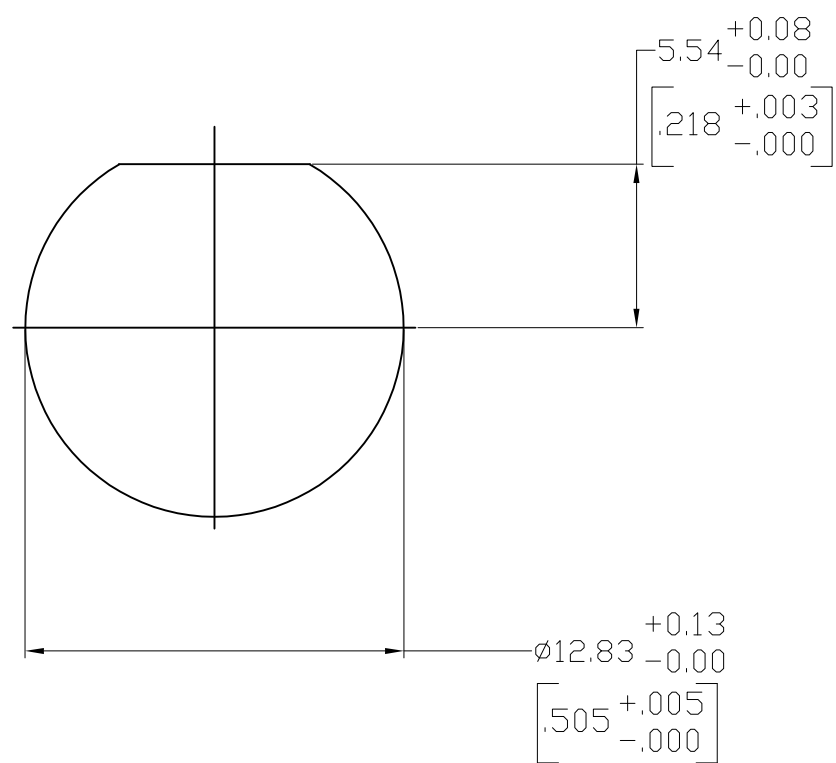


THIS DRAWING IS UNPUBLISHED. RELEASED FOR PUBLICATION
 © COPYRIGHT - By - ALL RIGHTS RESERVED.

LOC	DIST	REVISIONS			
P	LTR	DESCRIPTION	DATE	DWN	APVD
AJ	16	H1	REVISED PER ECO-11-005030	11MAR11	RK HMR



- 1. PARTS PACKAGED UNASSEMBLED
- 2. PANEL THICKNESS = 6.35 [.250] MAX



OBSOLETE	1-329631-2	1-329632-2	228255-1	228226-4
	1-329631-2	1-329632-2	228255-2	228226-3
SUPERSEDED BY 228226-1	1-329631-2	1-329632-2	228259-1	228226-2
	1-329631-2	1-329632-2	228255-1	228226-1
	③ JAM NUT QTY=1	② LOCK WASHER QTY=1	① JACK ADAPTOR ASSEMBLY QTY=1	PART NUMBER

THIS DRAWING IS A CONTROLLED DOCUMENT.		DWN M.E. COWHER 12JUN92	TE Connectivity	
DIMENSIONS: mm		CHK M. PHILLIPS 22JUN92	NAME JACK - JACK ADAPTOR, BND, BNC	
TOLERANCES UNLESS OTHERWISE SPECIFIED: 0 PLC ± - 1 PLC ± - 2 PLC ± - 3 PLC ± - 4 PLC ± - ANGLES ± -		APVD M. PHILLIPS 22JUN92	DRAWING NO A2 00779 C=228226	
MATERIAL -		FINISH -	WEIGHT -	RESTRICTED TO -
CUSTOMER DRAWING			SCALE 5:1	SHEET 1 of 1
			REV H1	