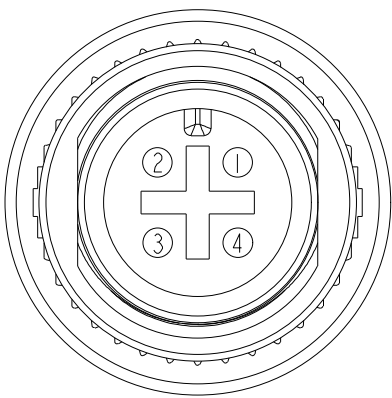
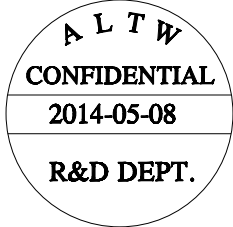
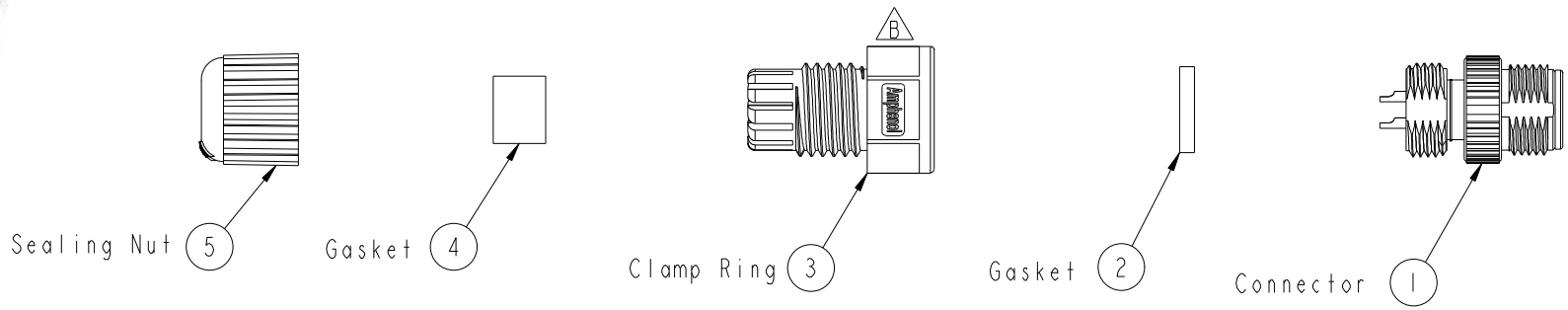
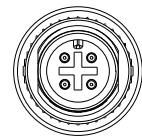
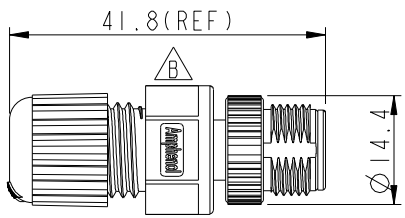


REV.	ECN NO.	DATE	SIGN	DESCRIPTION
B	LEN1450091	2014/05/08	Jinhai	Change LOGO To Amphenol



Pin Assignments
Front View



Conn

- Note:
- * \varnothing Important Dimension To Check.
 - * Waterproof Rate: IP68
 - * Housing: Black, Nylon+GF
 - * Pin: Copper Alloy, Gold Plated
 - * Nut: Zinc Alloy, Nickel Plated
 - * Gasket: Black, EPDM
 - * Clamp Ring: Black, Nylon
 - * Sealing Nut: Black, Nylon
 - * Seal: Black, EPDM
 - * Seal For Cable OD: $\varnothing 4.5\text{mm}-\varnothing 6.5\text{mm}$

A	UNIT:mm		TITLE M12 Conn Assy Screw 4Pin M Conn M Pin			ITEM NO 12-04BMMA-SL8001	DRAWN BY Jinhai	DATE 2014-05-08
	TOLERANCE ± 0.5		SCALE 1:1	SIZE A4	SHEET 1	DWG NO 12-04BMMA-SL8001	CHECKED BY Di-Lu	DATE 2014-05-08
			REV. B	WC-REV. A.3	QC: Inspection item	CUSTOMER ALTW	APPROVED BY Jerry	DATE 2014-05-08

Amphenol LTW
安費諾亮泰企業股份有限公司

THIS DOCUMENT IS SUBJECT TO CHANGE WITHOUT NOTICE. IT IS CONFIDENTIAL AND A PROPERTY OF Amphenol LTW. DISCLOSURE TO THIRD PARTY HAS TO BE AUTHORIZED BY Amphenol LTW.