

■ Packaging

Two types of packaging for monolithic ceramic capacitors are available.

1. Bulk Packaging

Minimum Quantity

Dimensions Code	Dimensions (L×W)	Minimum Quantity (pcs./Bag)*
0	3.6×3.5mm or 4.0×3.5mm or 5.0×3.5mm (Depends on Part Number)	500
1	4.0×3.5mm or 4.5×3.5mm or 5.0×3.5mm (Depends on Part Number)	
2	5.0×3.5mm or 5.5×4.0mm or 5.7×4.5mm (Depends on Part Number)	
3	5.0×4.5mm or 5.5×5.0mm or 6.0×5.5mm (Depends on Part Number)	
4	7.5×5.5mm	
5	7.5×7.5mm or 7.5×8.0mm (Depends on Part Number)	
6	10.0×10.0mm	
8	7.5×5.5mm	
7	12.5×12.5mm	100
U	7.7×12.5mm or 7.7×13.0mm (Depends on Part Number)	200
W	5.5×7.5mm or 6.0×8.0mm (Depends on Part Number)	500

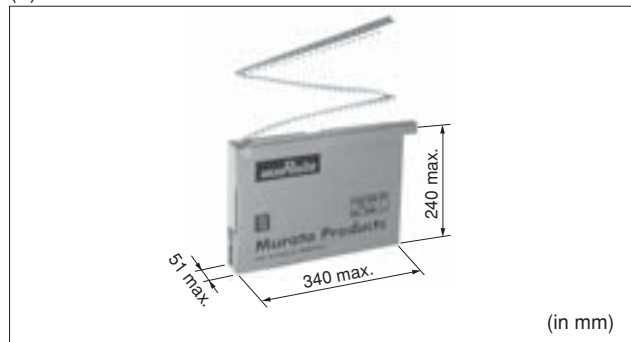
Please order with an integral multiple of the minimum quantity above.

* Minimum Quantity may change depends on part number.

Please check our website 'Product details'.

2. Tape Carrier Packaging

(1) Dimensions of Ammo Pack



(2) Minimum Quantity

Dimensions Code	Dimensions (L×W)	Minimum Quantity (pcs./Ammo Pack)*
0	3.6×3.5mm or 4.0×3.5mm or 5.0×3.5mm (Depends on Part Number)	2000
1	4.0×3.5mm or 4.5×3.5mm or 5.0×3.5mm (Depends on Part Number)	
2	5.0×3.5mm or 5.5×4.0mm or 5.7×4.5mm (Depends on Part Number)	
3	5.0×4.5mm or 5.5×5.0mm or 6.0×5.5mm (Depends on Part Number)	
4	7.5×5.5mm	2000
5	7.5×7.5mm or 7.5×8.0mm (Depends on Part Number)	
6	10.0×10.0mm	1500
8	7.5×5.5mm	
U	7.7×12.5mm or 7.7×13.0mm (Depends on Part Number)	1000
W	5.5×7.5mm or 6.0×8.0mm (Depends on Part Number)	1500

Please order with an integral multiple of the minimum quantity above.

* Minimum Quantity may change depends on part number.

Please check our website 'Product details'.

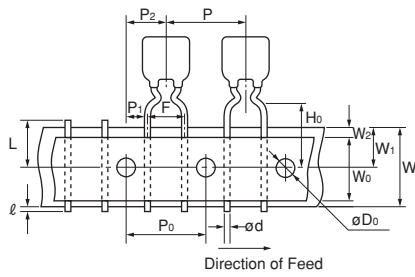
"Minimum Quantity" means the numbers of units of each delivery or order. The quantity should be an integral multiple of the "minimum quantity".
(Please note that the actual delivery quantity in a package may change sometimes.)

Continued on the following page.

Continued from the preceding page.

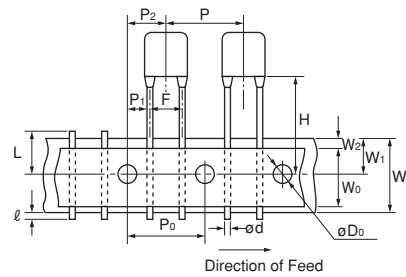
Taping Dimensions

Inside Crimp Taping



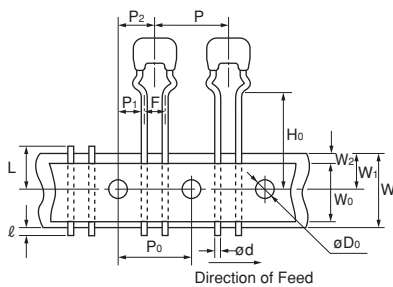
Dimensions and Lead Style Code
0M1
1M1
2M1
2M2
3M1
3M2
4M1
4M2
8M1
8M2
WM1

Straight Taping



Dimensions and Lead Style Code
1DB
2DB
3DB
5E1
5E2
6E1
6E2
UE1

Outside Crimp Taping



Dimensions and Lead Style Code
0S1
1S1
2S1
2S2
3S1
3S2

Item	Code	Dimensions (mm)
Pitch of Component	P	12.7±1.0
Pitch of Sprocket Hole	P ₀	12.7±0.2
Lead Spacing	F	2.5 ^{+0.4} _{-0.2} (DB) (S1) (S2)
		5.0 ^{+0.6} _{-0.2}
Length from Hole Center to Component Center	P ₂	6.35±1.3
Length from Hole Center to Lead	P ₁	3.85±0.7
		5.1±0.7 (DB) (S1) (S2)
		254±1.5 Total length of components pitch X 20
Body Dimension	Depends on Part Number	
Deviation Along Tape, Left or Right Defect	ΔS	±2.0
Carrier Tape Width	W	18.0±0.5
Position of Sprocket Hole	W ₁	9.0 ⁺⁰ _{-0.5}
Lead Distance between Reference and Bottom Plane	H ₀	16.0±0.5 (M1) (S1)
		20.0±0.5 (M2) (S2)
For Straight Lead Type	H	20±0.5 (E2), 17.5±0.5 (E1), 16±0.5 (DB)
Diameter of Sprocket Hole	D ₀	4.0±0.1
Lead Diameter	d	0.5±0.05
Total Tape Thickness	t ₁	0.6±0.3
Total Thickness of Tape and Lead Wire	t ₂	1.5 max.
Body Thickness	T	Depends on Part Number
Deviation Across Tape	Δh ₁ Δh ₂	2.0 max. Dimensions Code: W, U
		1.5 max. RHD Series
		1.0 max. except as above
Portion to Cut in Case of Defect	L	11.0 ⁺⁰ _{-1.0}
Protrusion Length	ℓ	0.5 max.
Hold Down Tape Width	W ₀	9.5 min.
Hold Down Tape Position	W ₂	1.5±1.5
Coating Extension	Depends on Dimensions	

