

6.2 x 3.5mm Compact Tactile Switch

Features

Optimized Mechanical Features

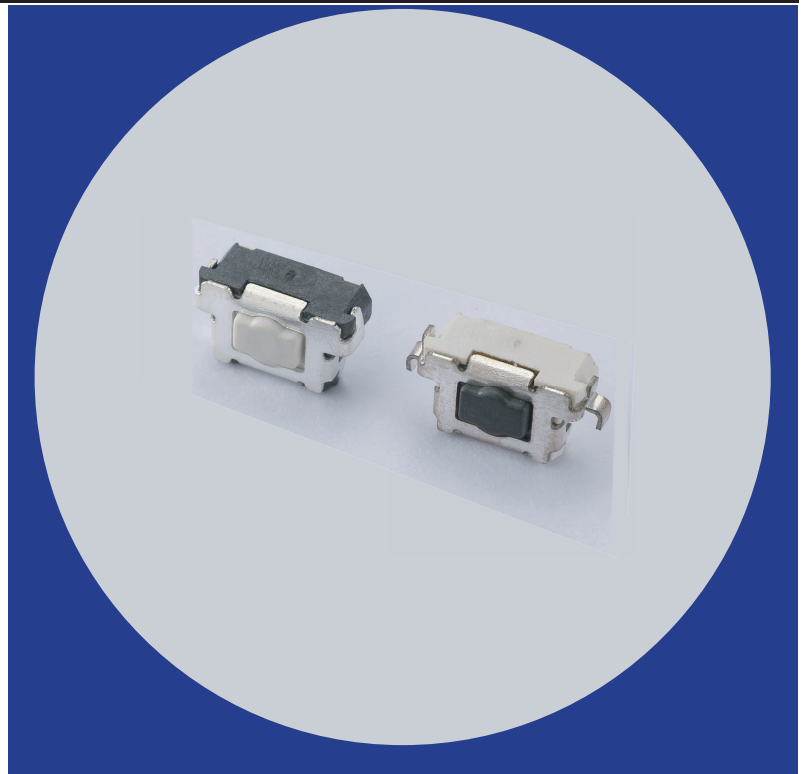
- Surface mount terminal configuration
- Compatible with IR reflow and manual soldering
- Variety of operating force options

Optimized Contact System

- Excellent tactile feedback

Materials

- Silver coated terminals for better solderability
- High temperature materials (UL94V-0)
- RoHS compliant



Electrical and Mechanical Specifications

Switch Contact Resistance

100 milliohms maximum

Insulation Resistance

100 Megohms minimum between terminals

Maximum Rating

50mA, 12 VDC

Dielectric Strength

250 VAC for 1 minute between adjacent terminals

Operating Force

120, 160 or 240 gf

Travel

0.15mm

Operating Temperature

- 40°C to +85°C

Storage Temperature

- 40°C to +85°C

Actuator Strength

3 Kgf maximum

Actuation Life

120 gf: 1,000,000 cycles

160 gf: 1,000,000 cycles

240 gf: 500,000 cycles

Allowable Solder Time

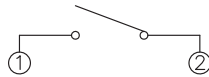
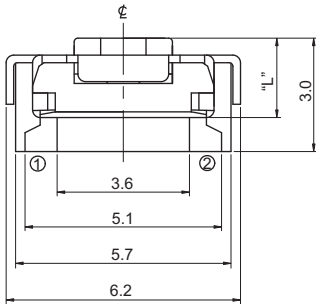
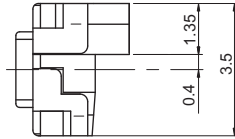
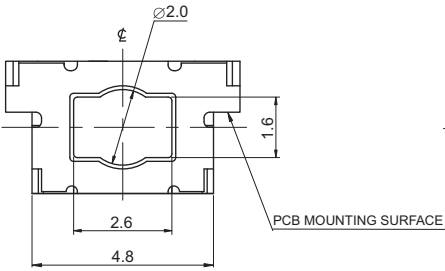
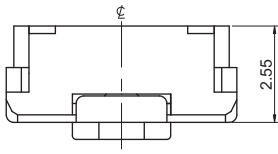
IR Reflow: Up to 5 seconds at 260°C.

Manual soldering: Up to 3 seconds at 350°C

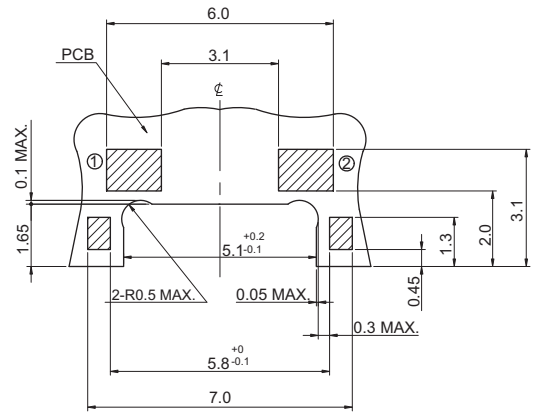
Packaging

Standard: Tape and reel packaging with 330mm diameter reel and 12mm wide plastic tape

CTS SERIES 222H... - Surface Mount Without Bracket



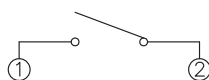
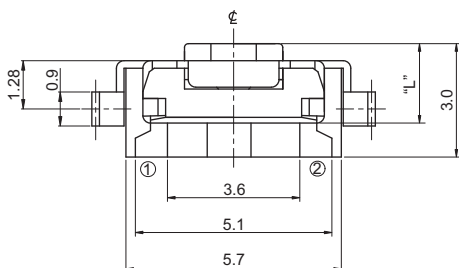
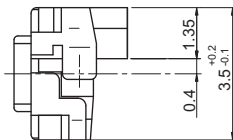
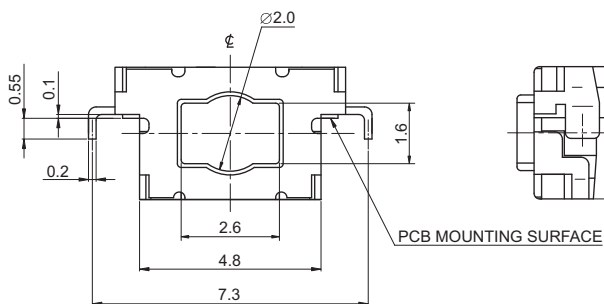
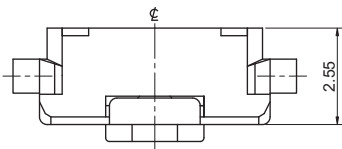
CIRCUIT DIAGRAM



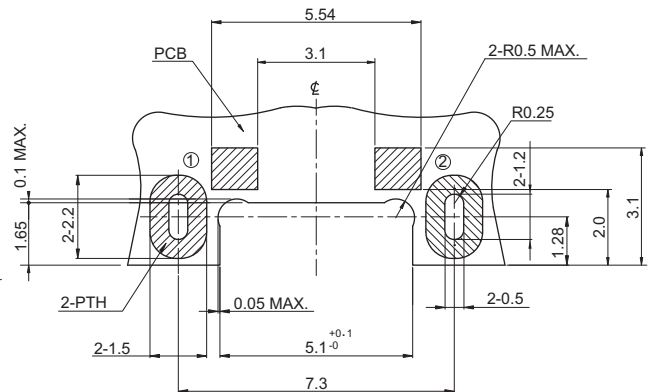
PCB LAYOUT

DIMENSION : mm
STANDARD TOLERANCE :
.X (1 PLACE) : ± 0.2

CTS SERIES 222H...K - Surface Mount With Bracket



CIRCUIT DIAGRAM



DIMENSION : mm
STANDARD TOLERANCE :
.X (1 PLACE) : ± 0.2

Ordering Information

