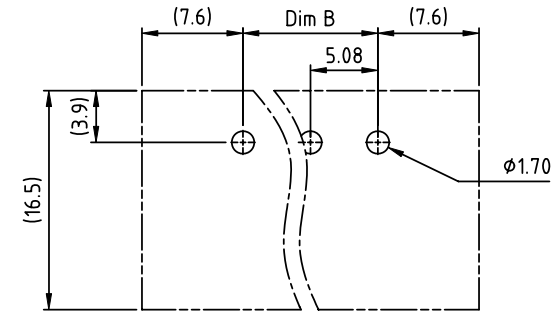
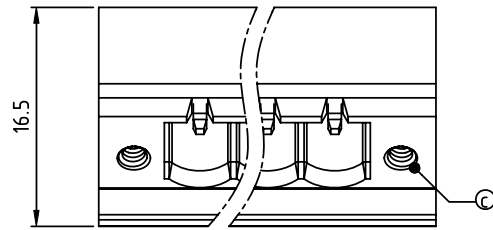
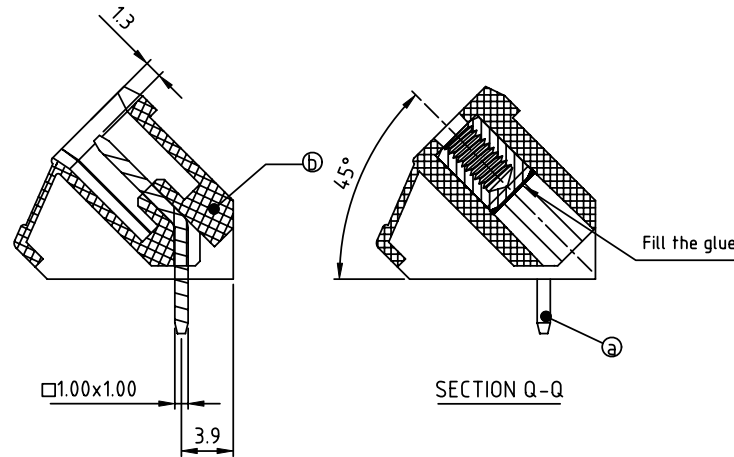
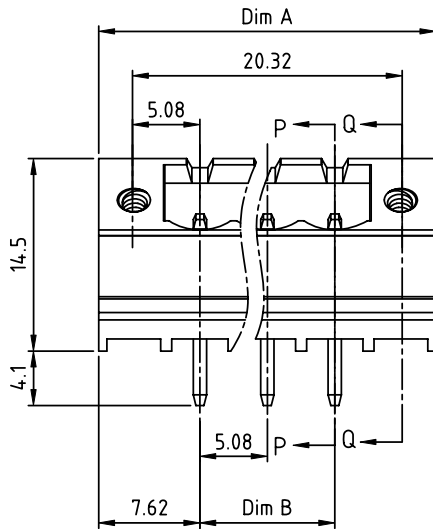


PRODUCT NUMBER	PITCH
VKxx52x000J0G	5.08 mm



RECOMMENDED P.C.B LAYOUT  
TOP VIEW



SECTION P-P

SECTION Q-Q

Material:

- Item ① Male contact pin: Copper Tin plated
  - Item ② Terminal (housing): Thermoplastic (UL94V-0)
  - Item ③ With flange nut: Brass ,M2.5
- Electrical: cULus /VDE/TUV
- Voltage rating: 300V/300V/300V
  - Current rating: 15A/17A/20A
  - Withstanding Voltage: 1.6 KV/2.5KV/2.5KV
  - Operating temperature: -40°C to +115°C
  - Soldering temperature: 260°C±5°C/5 Sec
  - Safety Approval:

N = Number of poles  
 Dim A=(N+2)×5.08  
 Dim B=(N-1)×5.08  
 Dim C=(N-1)×5.08+10.16

Poles	Tolerance
2-6p	±0.15
7-12p	±0.20
13-18p	±0.30
19-24p	±0.40

PART NO.: VK xx 52 x 0 00J0 G

Solid block	0	Color	RoHS compliant
No. of poles	2	Black (RAL9005)	(lead<4%)
02 2 poles	3	Red (RAL3001/D)	In copper Alloy
03 3 poles	4	Orange(RAL2011/P)	
...	5	Yellow(RAL1018/A)	
24 24 poles	6	Green(RAL6018/T)	
	8	Blue (RAL5015/A)	
	9	Grey(RAL7035/D)	
	9	White(RAL1102)	
	C	Green(RAL6018/U)	

mat'l. code		surface ASME Y14.5	tolerance ASME Y14.5	projection	product family TERMINAL BLOCK
ltr	ecn no	dr	date		title TERMINAL BLOCK
				tolerances unless otherwise specified	PLUGGABLE SOCKET,CLOSE, 45DEGREE INLET,WITH FLANGE
				angles $X \pm 0.5$	scale
				$X.X \pm 0.3$	MM
				$X^* \pm 1^*$	scale
				$X.XX \pm 0.1$	FCI
		dr	EVIN ZHONG 042214	dwg no	sheet 1 of 1 size
		enr	EVIN ZHONG 042214	VKxx52x000J0G	A4
		chr	HANKE FENG 042214	type	CUSTOMER Drawing
		appd	SHI JUN 042214		
sheet index	revision sheet	A	1		