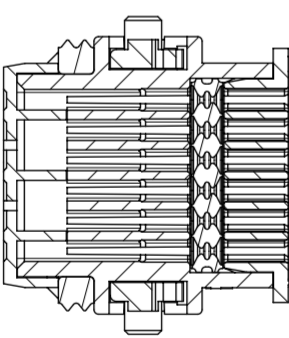
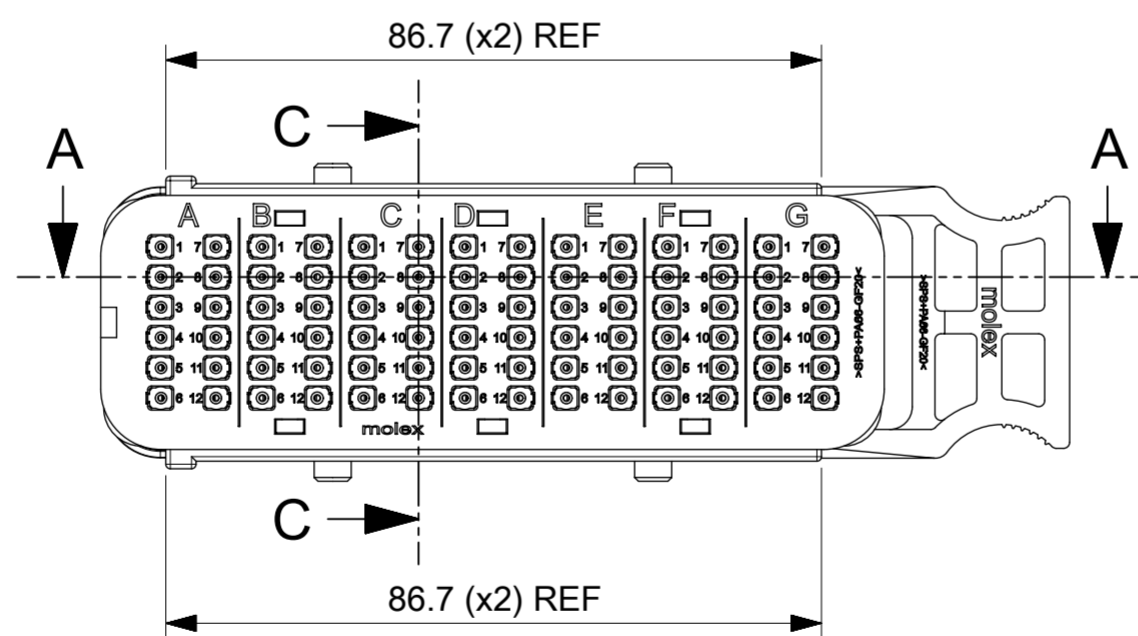
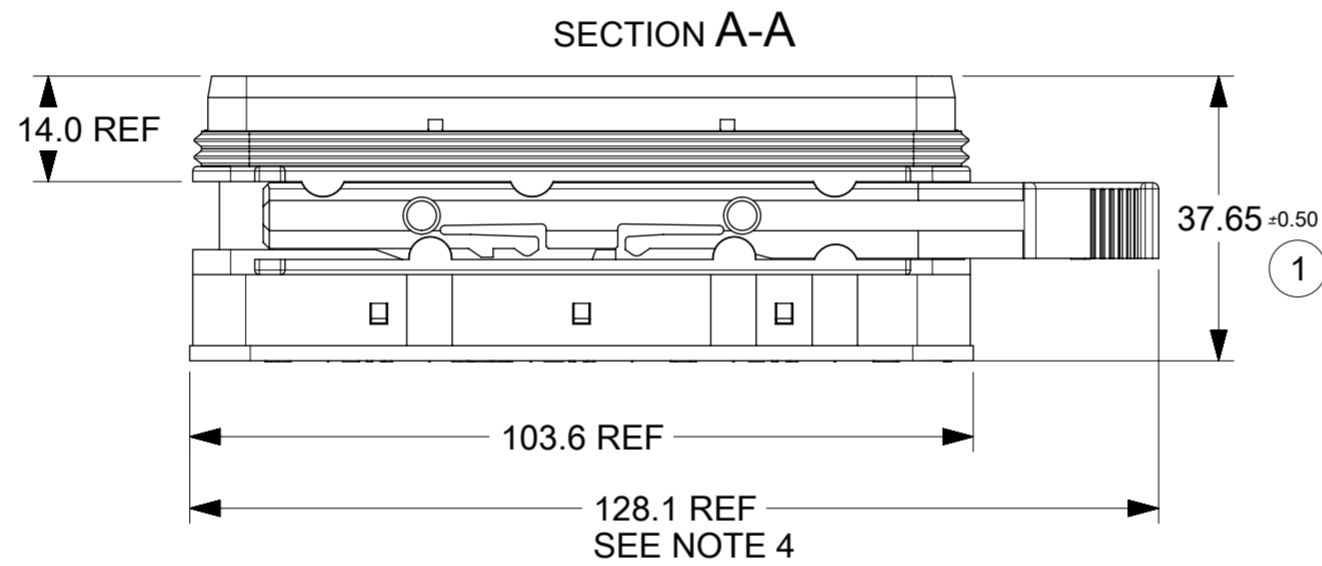
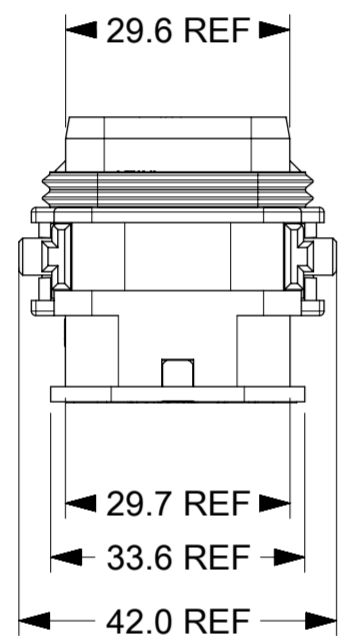
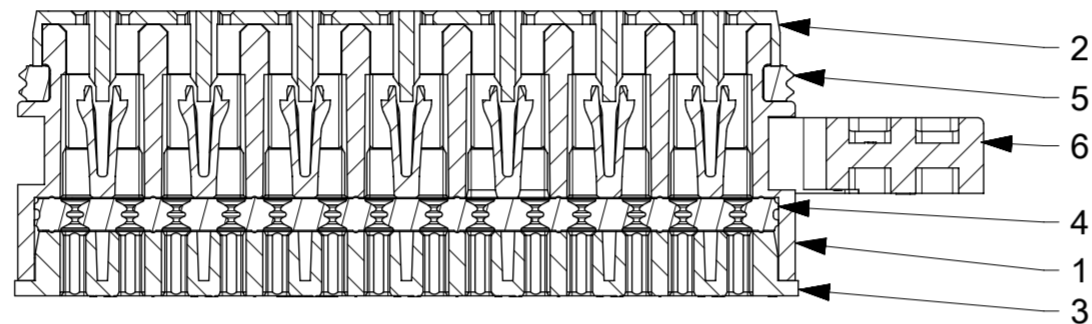
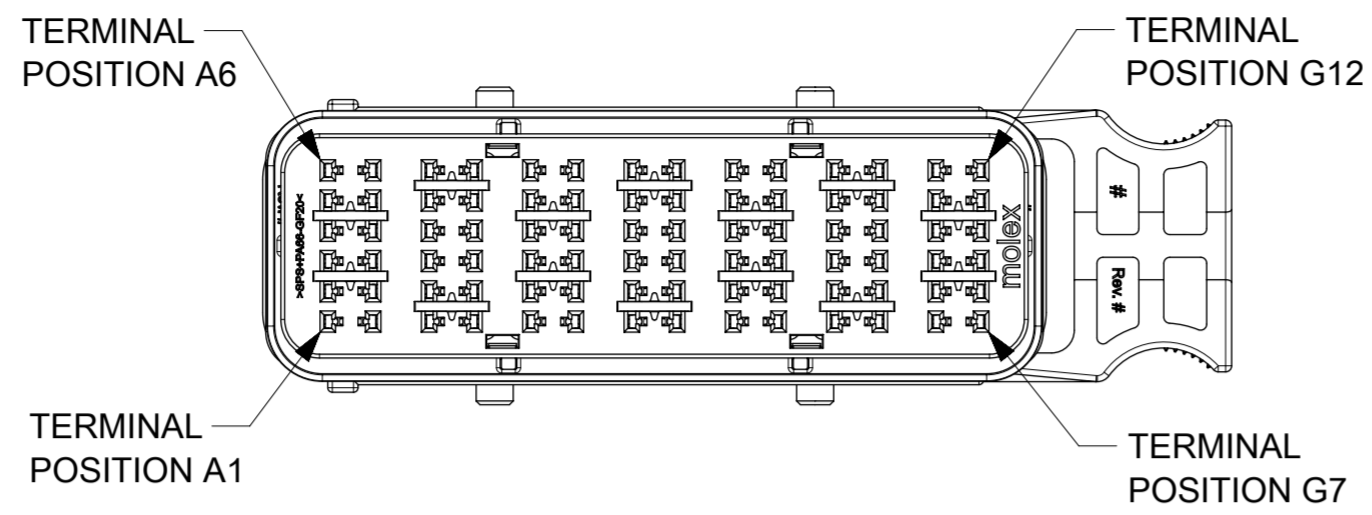
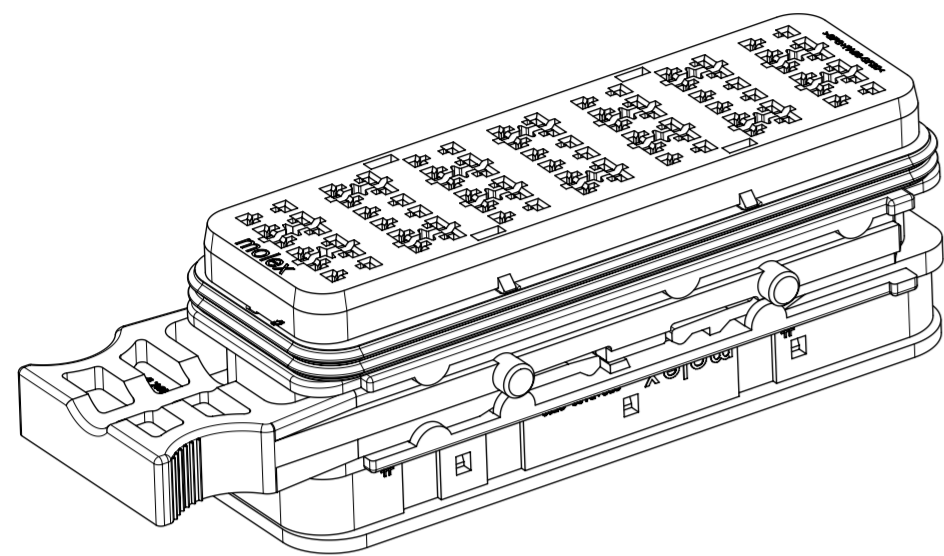


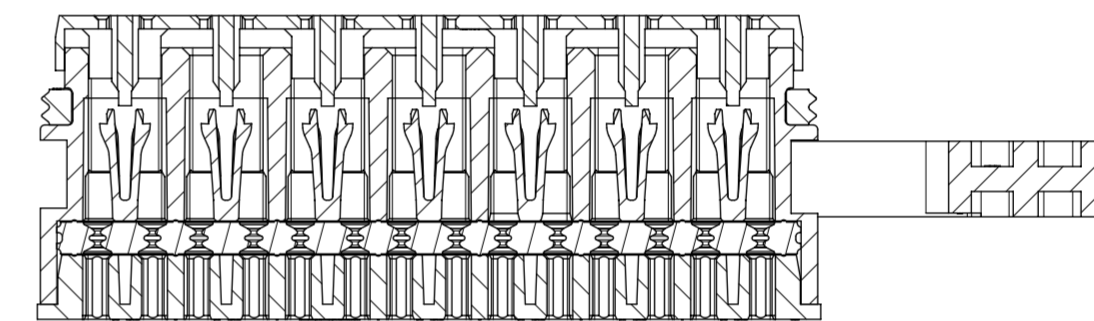
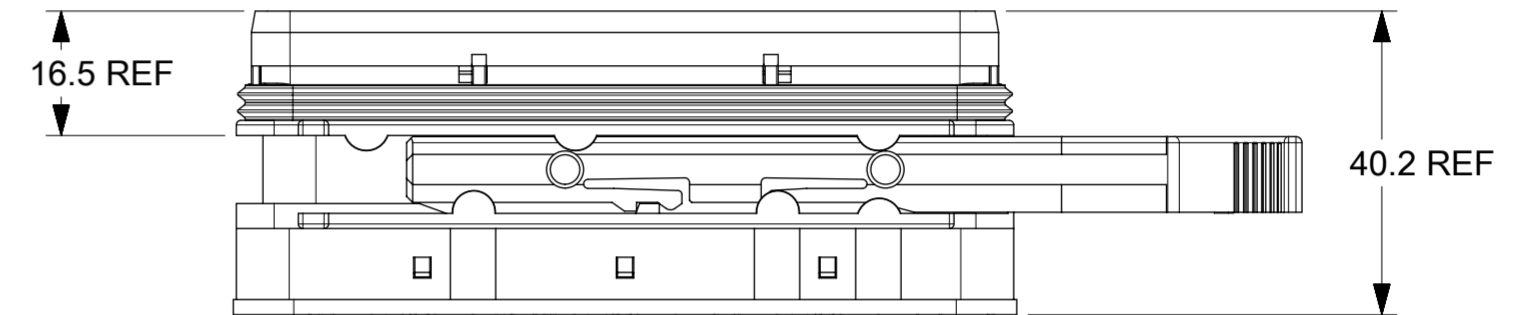
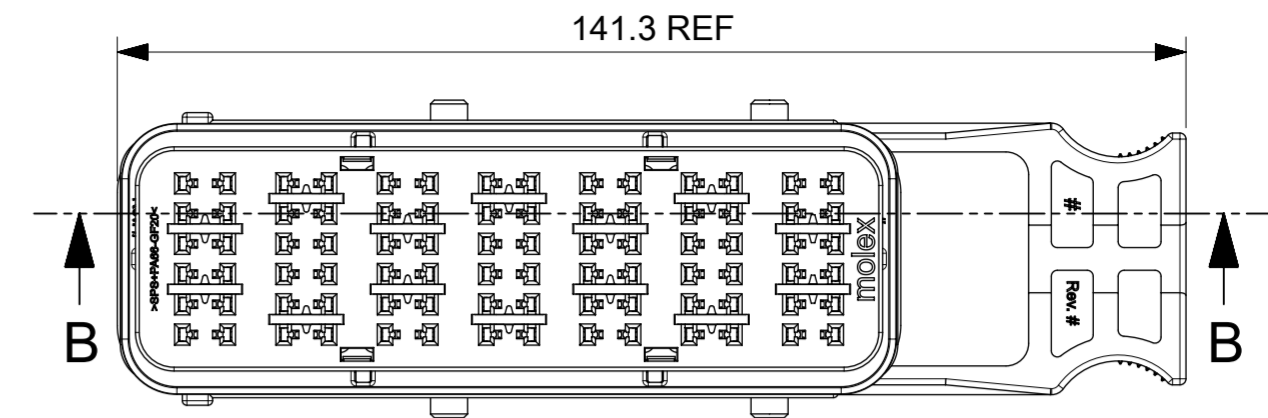
TPA IN FULL-LOCK (AS SHIPPED) POSITION AND LATCH IN PARTIALLY OPEN POSITION



SECTION C-C

No.	DESCRIPTION	QTY.	COLOUR
6	SLIDING LATCH	1	BLACK
5	FEMALE FRONT SEAL	1	RED
4	FEMALE BACK SEAL	1	LIGHT BLUE
3	FEMALE REAR COVER	1	BLACK
2	FEMALE FRONT COVER	1	GREEN
1	FEMALE HOUSING	1	BLACK
BILL OF MATERIAL			

TPA IN PRE-LOAD POSITION AND LATCH IN OPEN POSITION



SECTION B-B

NOTES:

1. MATERIALS: HOUSINGS: POLYSTYRENE/NYLON BLEND, GLASS FILLED, UL 94 HB
SEALS: SILICONE RUBBER
2. MX150 RECEPTACLE TERMINAL PER SD-33012-002 TO BE USED WITH THIS ASSEMBLY
CRIMPED WITH CABLE INSULATION OUTER DIAMETER IN THE RANGE 1.5mm TO 2.7mm
3. PRODUCT SPECIFICATION: 850830010 PSP
4. PACKAGING SPECIFICATION: 850700010 PSK; LATCH SHIPPED IN PARTIALLY OPEN POSITION
5. MATES WITH: SRC2 84 PIN BLADE HOUSING ASSEMBLY
PART NUMBER 932880001 PER 932880001 PSD OR 937928400 PER 937921000 PSD
6. APPLICATION SPECIFICATION: 850830010 PSA
7. CONDUIT INTERFACE OPTIONS: REFER TO 934811000 PSD

INSPECTION NUMBERS RESERVED FOR THIS SHEET: 1-50
LAST INSPECTION NUMBER USED: 1

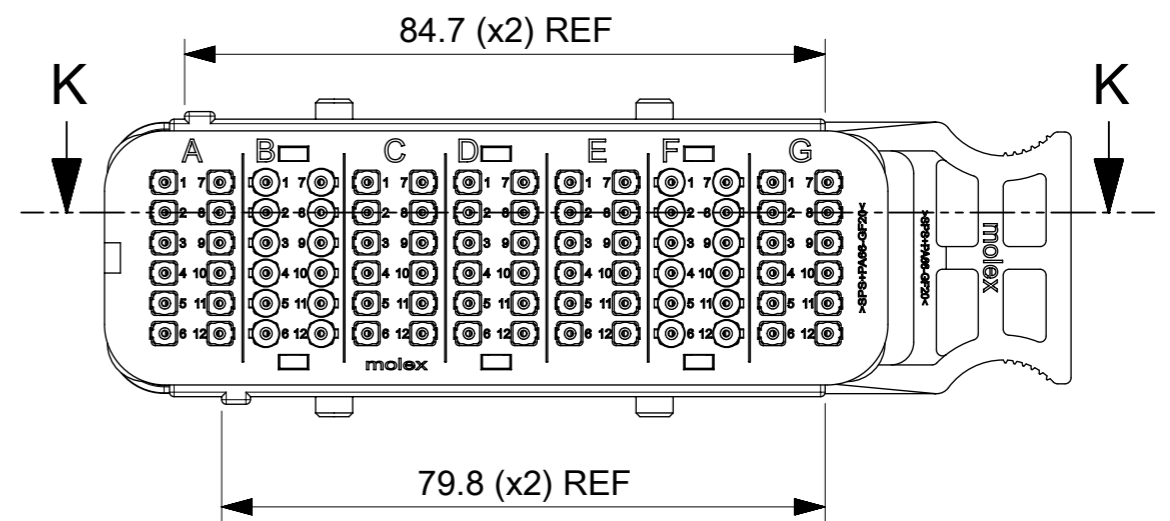
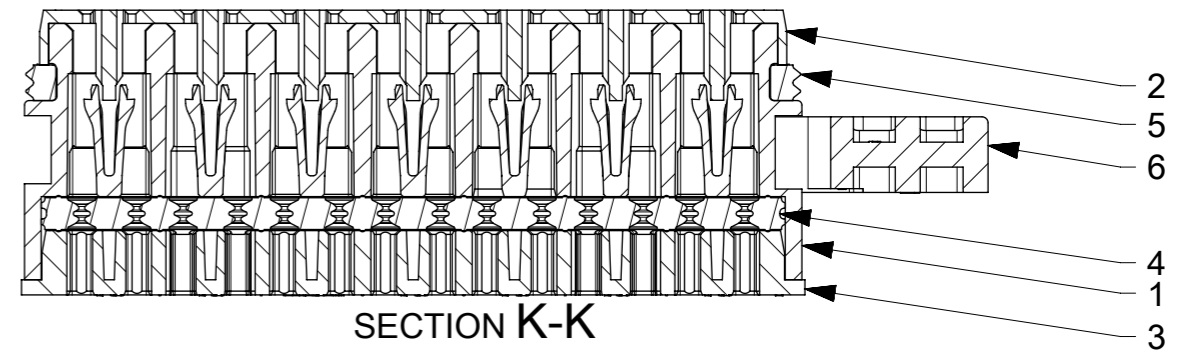
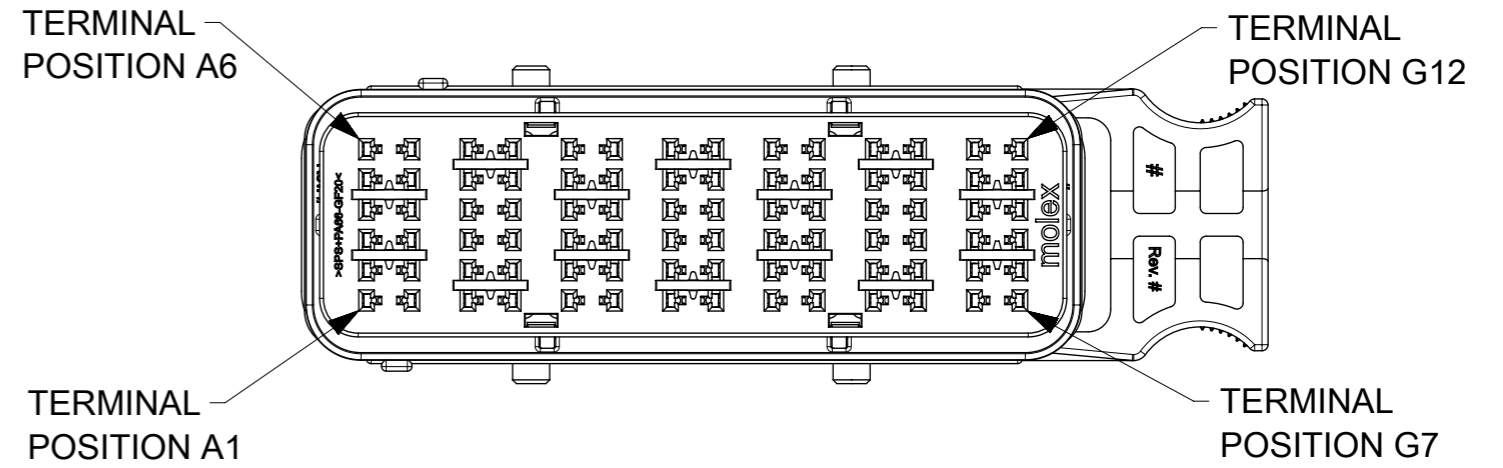
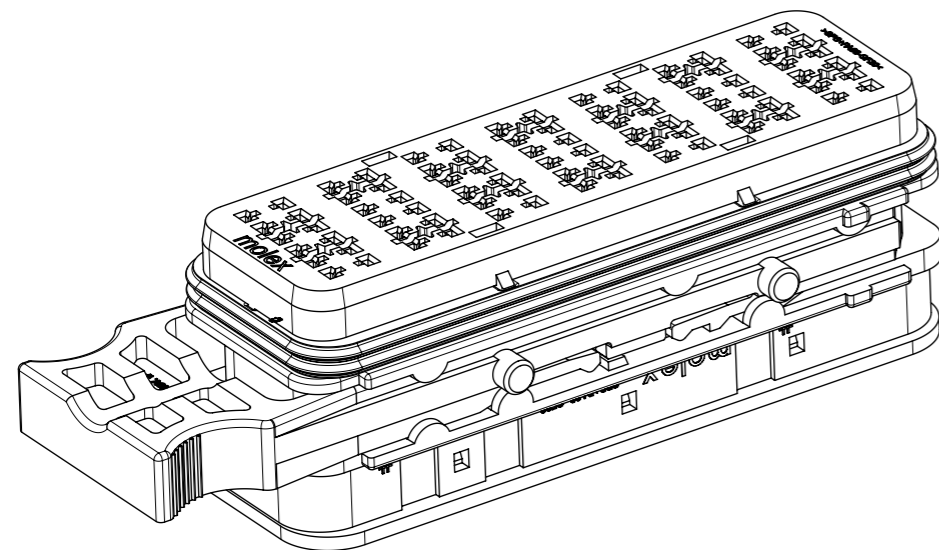
QUALITY SYMBOLS	THIS DRAWING CONTAINS INFORMATION THAT IS PROPRIETARY TO MOLEX ELECTRONIC TECHNOLOGIES, LLC AND SHOULD NOT BE USED WITHOUT WRITTEN PERMISSION																											
	▽ = 0	▽ = 0	▽ = 0	▽ = 0																								
	▽ = 0	▽ = 0	▽ = 0	▽ = 0																								
	▽ = 0	▽ = 0	▽ = 0	▽ = 0																								
REPLACE SD-33287-001	2016/01/21	2016/01/22	2016/01/26																									
EC NO: 102579	DRWN: AJOBRIEN	CHKD: SMCGREEVY	APPR: JDWALLACE																									
GENERAL TOLERANCES (UNLESS SPECIFIED)		DIMENSION UNITS	SCALE																									
ANGULAR TOL ± 0.5 °		MM	1:1																									
4 PLACES ±	3 PLACES ±	2 PLACES ± 0.2	1 PLACE ± 0.5	0 PLACES ±																								
DRAFT WHERE APPLICABLE MUST REMAIN WITHIN DIMENSIONS		DRAWING SIZE	THIRD ANGLE PROJECTION																									
A2		A2																										
<table border="1"> <tr> <td colspan="2" style="text-align: center;">molex</td> <td colspan="2" style="text-align: center;">SRC2 FEMALE 84 PIN RECEPTACLE HOUSING ASSEMBLY</td> </tr> <tr> <td colspan="4" style="text-align: center;">PRODUCT CUSTOMER DRAWING</td> </tr> <tr> <td>SERIES</td> <td>MATERIAL NUMBER</td> <td colspan="2">CUSTOMER</td> </tr> <tr> <td>93287</td> <td>932870001</td> <td colspan="2">GENERAL MARKET</td> </tr> <tr> <td>DOCUMENT NUMBER</td> <td>DOC TYPE</td> <td>DOC PART</td> <td>SHEET NUMBER</td> </tr> <tr> <td>932870001</td> <td>PSD</td> <td>000</td> <td>1 OF 2</td> </tr> </table>				molex		SRC2 FEMALE 84 PIN RECEPTACLE HOUSING ASSEMBLY		PRODUCT CUSTOMER DRAWING				SERIES	MATERIAL NUMBER	CUSTOMER		93287	932870001	GENERAL MARKET		DOCUMENT NUMBER	DOC TYPE	DOC PART	SHEET NUMBER	932870001	PSD	000	1 OF 2	
molex		SRC2 FEMALE 84 PIN RECEPTACLE HOUSING ASSEMBLY																										
PRODUCT CUSTOMER DRAWING																												
SERIES	MATERIAL NUMBER	CUSTOMER																										
93287	932870001	GENERAL MARKET																										
DOCUMENT NUMBER	DOC TYPE	DOC PART	SHEET NUMBER																									
932870001	PSD	000	1 OF 2																									

NOTES:

1. REFERENCE SHEET ONE FOR UNSPECIFIED NOTES AND DIMENSIONS
2. MX150 RECEPTACLE TERMINAL PER SD-33012-002 TO BE USED WITH THIS ASSEMBLY IN CAVITIES A, C, D, E & G, CRIMPED WITH CABLE INSULATION OUTER DIAMETER IN THE RANGE 1.5mm TO 2.7mm
3. SRC RECEPTACLE TERMINALS PER 936430010 PSD MAY BE USED WITH THIS ASSEMBLY IN CAVITIES B & F CRIMPED WITH 2.5mm² (13AWG) CABLE INSULATION OUTER DIAMETER IN THE RANGE 2.7mm TO 3.0mm
4. MATES WITH: SRC2 84 PIN 2.5 BLADE HOUSING ASSEMBLY PART NUMBER 932888425 PER 932880001 PSD OR 937928425 PER 937921000 PSD

6	SLIDING LATCH	1	BLACK
5	FEMALE FRONT SEAL	1	RED
4	FEMALE BACK SEAL	1	LIGHT BLUE
3	FEMALE REAR COVER	1	BLACK
2	FEMALE FRONT COVER	1	GREEN
1	FEMALE HOUSING	1	BLACK
No.	DESCRIPTION	QTY.	COLOUR

BILL OF MATERIAL



<p>QUALITY SYMBOLS</p> <p>▽ = 0</p> <p>▽ = 0</p> <p>▽ = 0</p> <p>▼ = 0</p> <p>▽ = 0</p> <p>⊠ = 0</p> <p>■ = 0</p> <p>▽ = 0</p>										<p>THIS DRAWING CONTAINS INFORMATION THAT IS PROPRIETARY TO MOLEX ELECTRONIC TECHNOLOGIES, LLC AND SHOULD NOT BE USED WITHOUT WRITTEN PERMISSION</p>									
<p>REPLACE SD-93287-001</p> <p>EC NO: 102579</p> <p>DRWN: AJOBRIEN</p> <p>CHK'D: SMCGREEVY</p> <p>APPR: JDWALLACE</p>		<p>2016/01/21</p> <p>2016/01/22</p> <p>2016/01/26</p>		<p>GENERAL TOLERANCES (UNLESS SPECIFIED)</p> <p>ANGULAR TOL ± 0.5 °</p> <p>4 PLACES ±</p> <p>3 PLACES ±</p> <p>2 PLACES ± 0.2</p> <p>1 PLACE ± 0.5</p> <p>0 PLACES ±</p>		<p>DIMENSION UNITS</p> <p>MM</p>		<p>SCALE</p> <p>1:1</p>		<p>DRWN BY</p> <p>AJOBRIEN</p>		<p>DATE</p> <p>2016/01/21</p>		<p>molex</p> <p>SRC2 FEMALE 84 PIN RECEPTACLE HOUSING ASSEMBLY</p>					
<p>DRIFT WHERE APPLICABLE MUST REMAIN WITHIN DIMENSIONS</p>		<p>DRAWING SIZE</p> <p>A3</p>		<p>THIRD ANGLE PROJECTION</p>		<p>CHK'D BY</p> <p>SMCGREEVY</p>		<p>DATE</p> <p>2016/01/22</p>		<p>APPR BY</p> <p>JDWALLACE</p>		<p>DATE</p> <p>2016/01/26</p>						<p>PRODUCT CUSTOMER DRAWING</p>	
<p>RELEASE STATUS</p> <p>P1</p>		<p>RELEASE DATE</p> <p>26.01.2016</p>		<p>09:47:50</p>		<p>SERIES</p> <p>93287</p>		<p>MATERIAL NUMBER</p> <p>932878425</p>		<p>CUSTOMER</p> <p>GENERAL MARKET</p>		<p>DOCUMENT NUMBER</p> <p>932870001</p>		<p>DOC TYPE</p> <p>PSD</p>		<p>DOC PART</p> <p>000</p>		<p>SHEET NUMBER</p> <p>2 OF 2</p>	