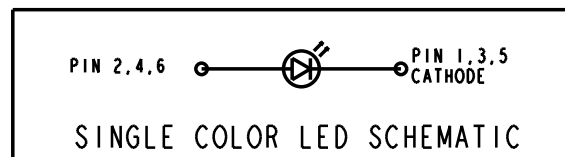
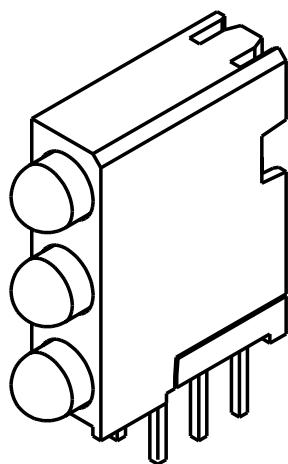
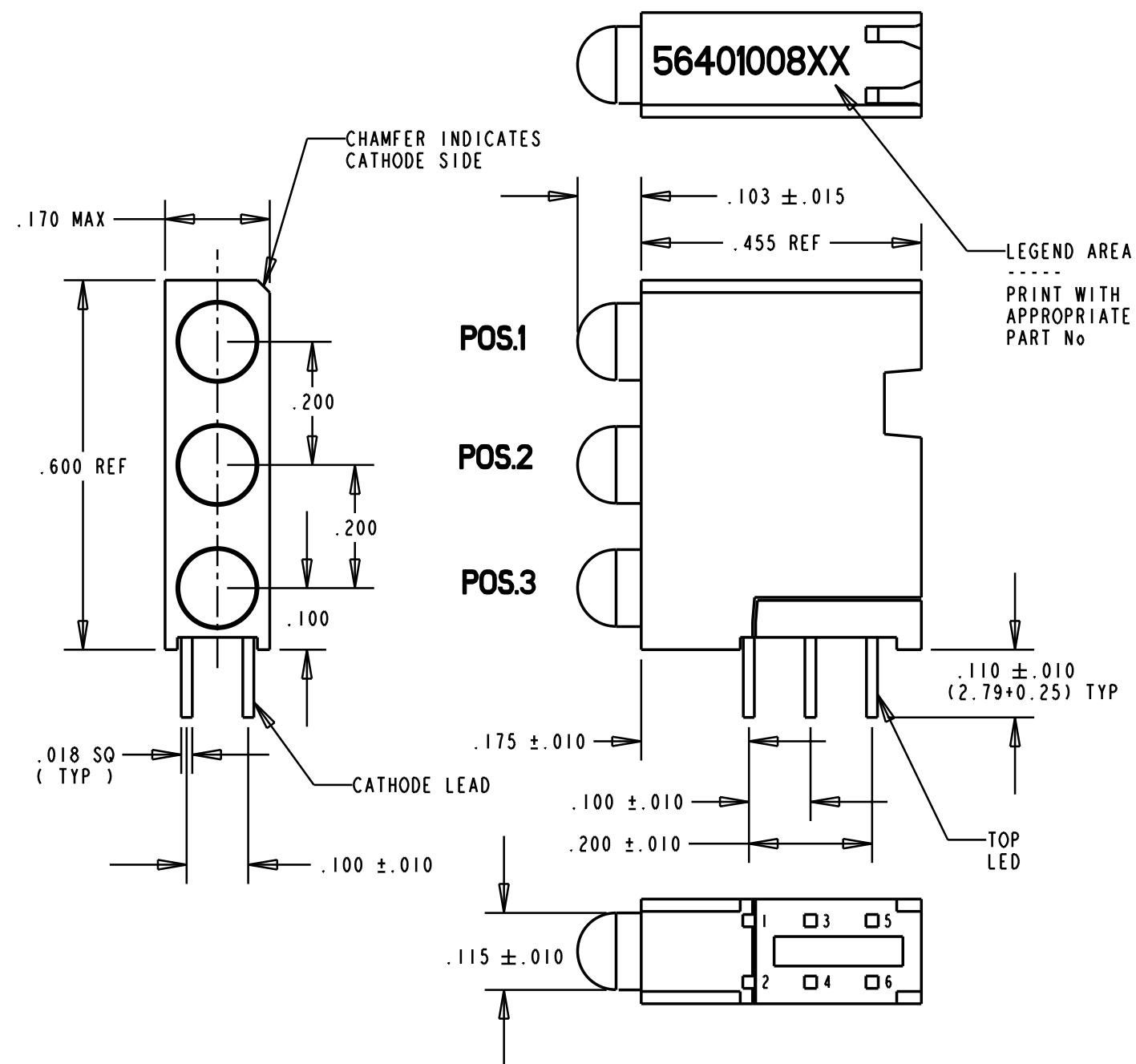


PART NUMBER and LEGEND	LED COLOR		
	POSITION 1	POSITION 2	POSITION 3
564-0100-807	RED DIFFUSED	YELLOW DIFFUSED	GREEN DIFFUSED
564-0100-808	GREEN DIFFUSED	GREEN DIFFUSED	YELLOW DIFFUSED
564-0100-809	GREEN DIFFUSED	YELLOW DIFFUSED	GREEN DIFFUSED
564-0100-810	YELLOW DIFFUSED	GREEN DIFFUSED	GREEN DIFFUSED



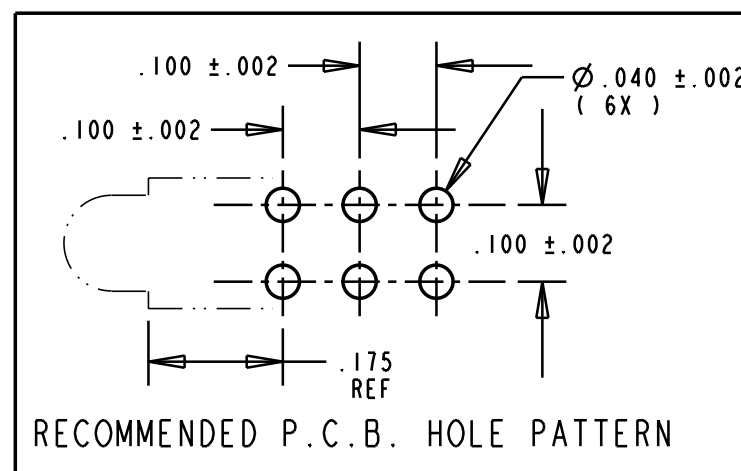
REV.	ECN NO.	REVISIONS	DRN.	CKD.	APP.	DATE
A	—	NEW RELEASE	TC		N.O.	7-14-98
B	—	CHANGE "CLAMSHELL" DESIGN TO NEW "BOTTOM INSERT" DESIGN; REVISED RED LED SPEC. AND LED COLOR POSITION 1,2,3 FOR -808 G/G/Y WAS G/Y/G; -809 G/Y/G WAS Y/G/G; -810 Y/G/G WAS G/G/Y. DELETE NOTE 2, SCHEMATIC AND PIN NO. ADDED NEW NOTE 2 & 3 AND VIEWING ANGLE.	DC	MC	N.O.	1-12-99
C	—	REORIENTED PRINTING; ADDED PIN NUMBERS AND LED SCHEMATIC	TC			



NOTES:  
 1- LEADS TO FIT INTO .040 DIA. HOLES SPACED AS PER HOLE PATTERN  
 2- LED LEAD DIMENSIONS SHOWN ARE MEASURED AT HOUSING EXIT  
 3- DIALIGHT PART NO. 564-0100-807, 564-0100-808, 564-0100-809, 564-0100-810.

OPERATING CHARACTERISTICS AT 25°C AMBIENT								
CHARACTERISTICS	LED COLOR	MIN	TYP	MAX	UNITS	TEST CONDITIONS		
LUMINOUS INTENSITY	RED	7.4	10.0		mcd	I <sub>f</sub> = 10 mA		
	YELLOW	6.0	10.0					
	GREEN	4.0	8.5					
FORWARD VOLTAGE	RED		2.0	2.8	V	I <sub>f</sub> = 20 mA		
	YELLOW		1.5	2.2			V	I <sub>f</sub> = 10 mA
	GREEN		1.5	2.3				
REVERSE VOLTAGE	ALL	5			V	I <sub>r</sub> = 100 μA		
PEAK WAVELENGTH	RED		635		nm	MEASURED AT PEAK		
	YELLOW		583					
	GREEN		565					
VIEWING ANGLE	ALL		60		Degree			

ABSOLUTE MAXIMUM RATING AT 25°C AMBIENT				
	UNITS	RED	YELLOW	GREEN
POWER DISSIPATION	mW	100	85	135
DERATE LINEARLY FROM 50°C (GREEN FROM 25°C)		0.4 mA/°C	1.6 mW/°C	1.8 mW/°C
CONTINUOUS FORWARD CURRENT	mA	30	20	25
PEAK FORWARD CURRENT (1/10 DUTY CYCLE, 0.1 ms PULSE WIDTH)	mA	120	60	90
LEAD SOLDERING TEMPERATURE, 5 SEC., 1/16" FROM BODY	°C	260	260	260
OPERATING TEMPERATURE	°C	-55 TO 100	-55 TO 100	-20 TO 100
STORAGE TEMPERATURE	°C	-55 TO 100	-55 TO 100	-55 TO 100



THIS DRAWING AND THE CONTENTS HEREIN ARE CONFIDENTIAL AND THE SOLE PROPERTY OF DIALIGHT. REPRODUCTION OF THIS DRAWING OR CONSTRUCTION OF ANY PARTS WITHIN THIS DRAWING ARE FORBIDDEN WITHOUT THE WRITTEN CONSENT OF DIALIGHT.

SCALE 4:1	DRAWING NUMBER	REV
ALL DIM'S IN: INCHES	C-16401	C
TOLERANCES: UNLESS OTHERWISE SPECIFIED	TITLE	
FRACTIONS: ±1/64	3mm 3X1 CBI BLOCK	
DECIMALS (.XX): ±.020	MATERIAL	
DECIMALS (.XXX): ±.015		
ANGLES: ±3°		
FINISH:	<b>Dialight</b>	1913 ATLANTIC AVE. MANASQUAN, N.J. 08736
FSCM 83330	SHEET OF	FAMILY TABLE: