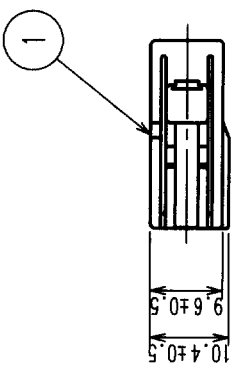
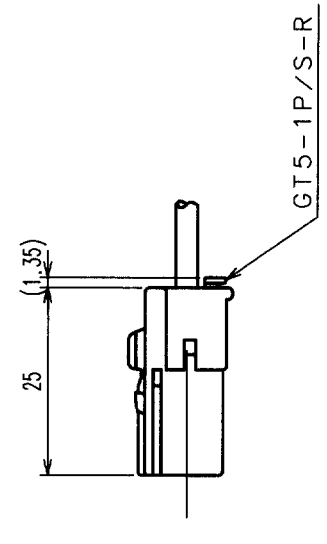
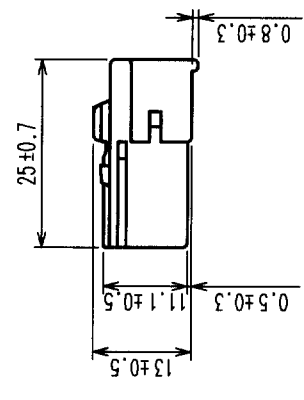
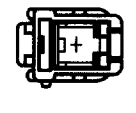


COUNT	DESCRIPTION OF REVISIONS	BY	CHKD	DATE	COUNT	DESCRIPTION OF REVISIONS	BY	CHKD	DATE
△					△				
△					△				
△					△				



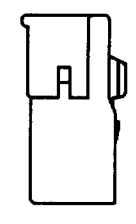
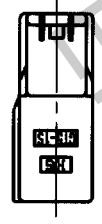
NOTE1. THIS CONNECTOR SHALL BE USED WITH A RETAINER  
 (CL755-0006-2) .  
 2. APPLICABLE CONNECTOR: GT5-1PP-HU (A) (CL755-0039-1)  
 GT5-1P-DS (A) (CL755-0041-3)

B



CONNECTOR ASSEMBLED WITH A RETAINER

HRS DRAWING FOR REFERENCE



B

C

D

E

F

TO			
----	--	--	--

1	PBT	UL94V-0, BROWN							
NO.	MATERIAL	FINISH, REMARKS	NO.	MATERIAL	DESIGNED	CHECKED	APPROVED	RELEASED	
					T. IKEDA	M. Okada	K. Kato		
					'01.11.19	'01.11.19	'01.11.27		
					PART NO. GT5-1S-HU(A)				
					DRAWING NO. EDC3-165292				
					SCALE 1 : 1				
					UNITS JTTM				
					CODE NO. CL755-0037-6				
					1/1				

