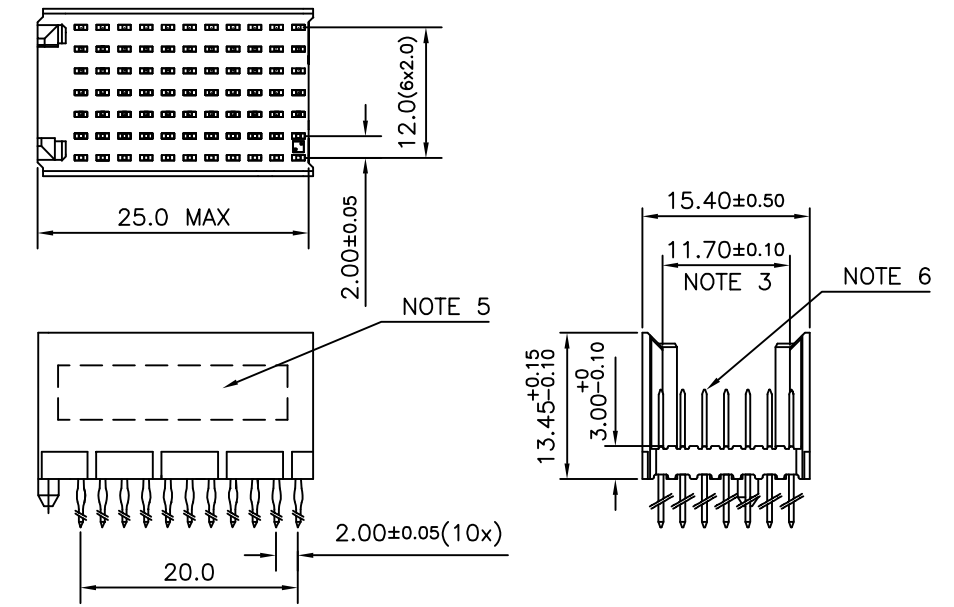


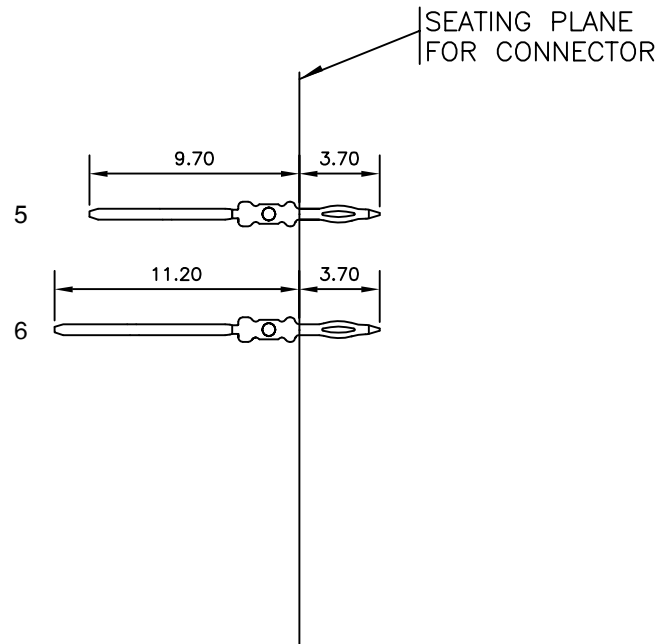
LOADING PATTERN MATING SIDE

f	6	6	6	6	6	6	6	6	6	6
e	5	5	5	5	5	5	5	5	5	5
d	5	5	5	5	5	5	5	5	5	5
c	5	5	5	5	5	5	5	6	6	6
b	5	5	5	5	5	5	5	5	5	5
a	5	5	5	5	5	5	5	5	5	5
z	6	6	6	6	6	6	6	6	6	6
POS	01					05				10

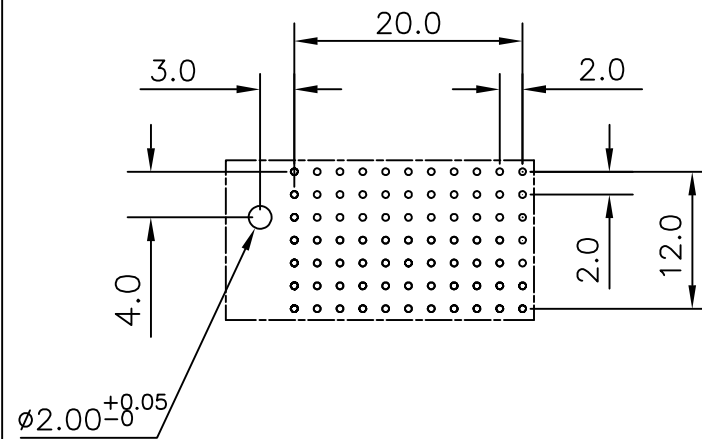
LOADED CONNECTOR ASSEMBLY  
(FOR EXAMPLE)



CONTACT OVERVIEW



LAY-OUT P.C.B.-HOLE



HM2P80PDA351 LEAD FREE INDICATOR : LF = LEAD FREE (DIGIT 15 & 16)  
 PLATING CODE (DIGIT 13 AND 14)  
 (REF DRW NO. BS,C , 201844 , 003)

NOTES

- THIS PRODUCT IS CSA APPROVED.
  - THIS PRODUCT IS UL RECOGNIZED.
  - MEASURED AT THE BOTTOM.
  - MATERIAL CONTACT: PHOSPHORBRONZE  
HOUSING: CREAM WHITE GLASS FILLED POLYESTER UL-94V0
  - CONNECTOR PRINTED WITH P/N AND DATE CODE.
  - FOR ACTUAL CONTACT LOADINGS, SEE LOADING PATTERN MATING SIDE.
  - SHAPE OF CONNECTOR HOUSING CAN ALTER DEPENDING ON PRODUCTION LOCATION
  - THE PRODUCT (LF) MEETS EUROPEAN UNION DIRECTIVES AND OTHER COUNTRY REGULATIONS AS DESCRIBED IN GS-22-008
  - FOR RECOMMENDED PTH DIMENSIONS REFER DRAWING : BS, A , 201572 , 001
- CATALOG NO: HM2P80PDA351----

mat'l. code		surface		tolerance		projection		product family	
SEE NOTE 4		ISO 1302 <input checked="" type="checkbox"/>		ISO 406 ISO 1101				MILLIPACS	
litr		ecn no		date		tolerances unless otherwise specified		title	
A		I03-0057		MINI 2003/10/11		angles linear		MPACS 5+2R STR HDR PF CONN TYPE CR	
B		I05-0183		MINI 2005/10/06		0°±1°		MM	
C		I06-0077		MINI 2006/06/24				scale -	
		dr		MINI K VANDANATH 2003/10/11				dwg no	
		enr		BIJU K PAUL 2003/10/11				sheet 1 of 1	
		chr		BIJU K PAUL 2006/06/24				size	
		appd		BIJU K PAUL 2006/06/24				A3	
sheet index		revision sheet		c				type Product Customer Drawing	
1		1		1					



Copyright FCI