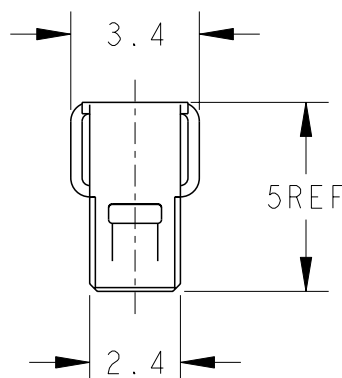
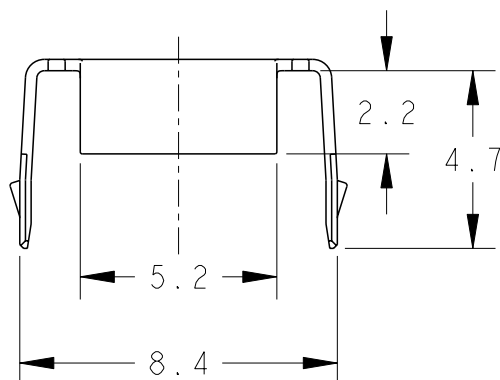
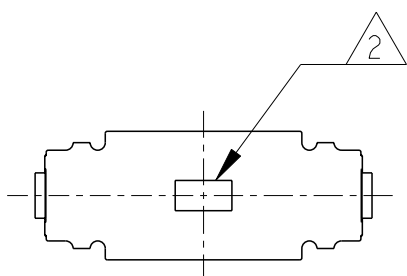


REVISIONS

P	LTR	DESCRIPTION	DATE	DWN	APVD
	A	RELEASED	28MAR2016	K.T	E.T
	A1	REVISED	28APR2016	K.T	E.T
	B	REVISED	06JUN2016	K.T	E.T

- 1 MATERIAL: STAINLESS STEEL
- 2 COMPANY LOGO
- 3. REFER TO INSTRUCTION SHEET 408-78115



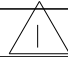


2295205-1: AS SHOWN

THIS DRAWING IS UNPUBLISHED. BY -

RELEASED FOR PUBLICATION 20

ALL RIGHTS RESERVED.

© COPYRIGHT 20

DIMENSIONS: mm TOLERANCES UNLESS OTHERWISE SPECIFIED: ± 0.3 0 PLC \pm 1 PLC \pm 2 PLC \pm 3 PLC \pm 4 PLC \pm ANGLES $\pm 5^\circ$	DWN K. TERAJIMA 28MAR2016	MATERIAL	-  FINISH -	
	CHK E. TAKEMASA 28MAR2016	 TE Connectivity		
APVD E. TAKEMASA 28MAR2016	NAME			
PRODUCT SPEC 108-140100	SIZE	CAGE CODE	DRAWING NO	RESTRICTED TO
APPLICATION SPEC -	A 4	-	G-2295205	-
WEIGHT -	CUSTOMER DRAWING		SCALE	SHEET
			5:1	1 OF 1
				REV B