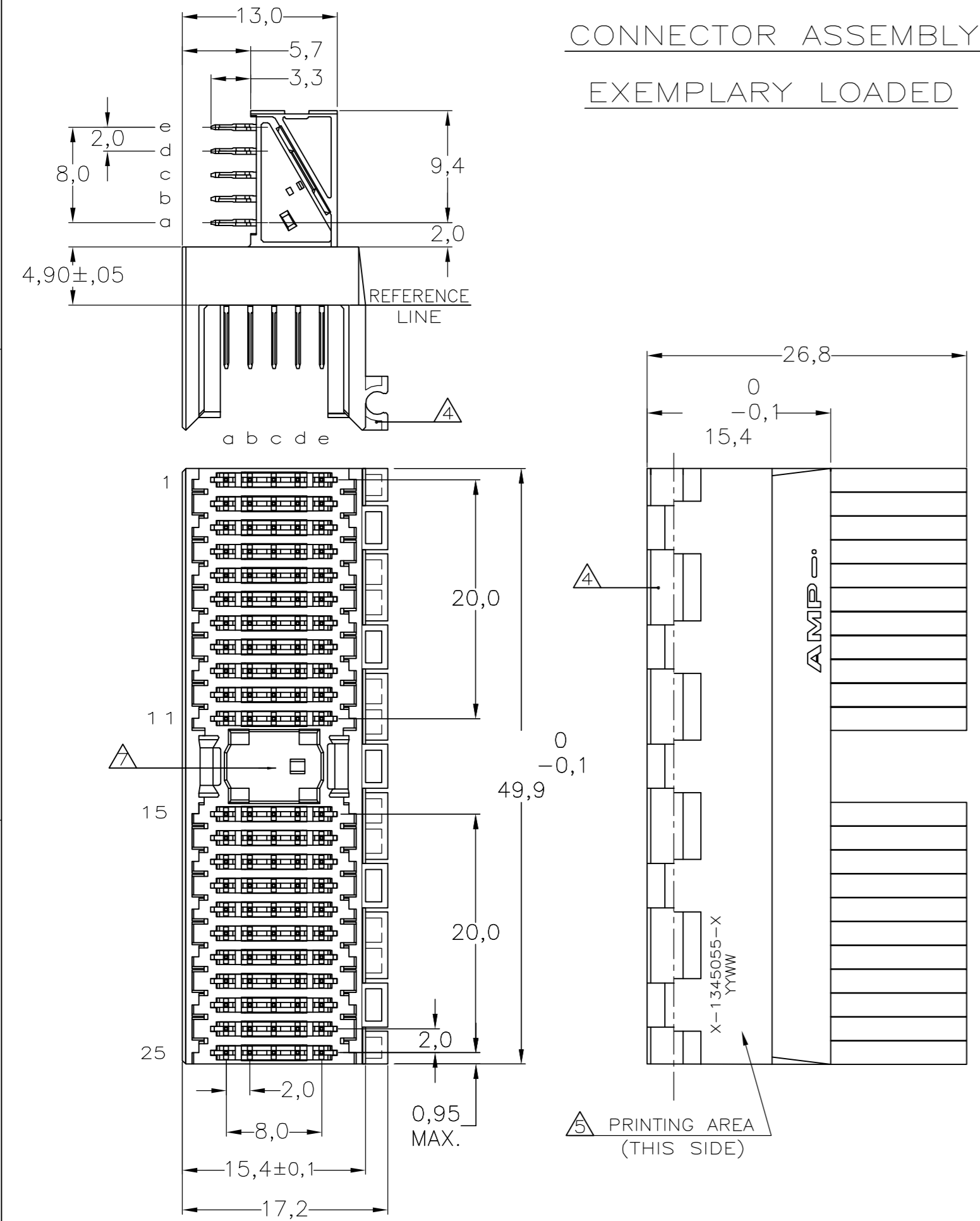
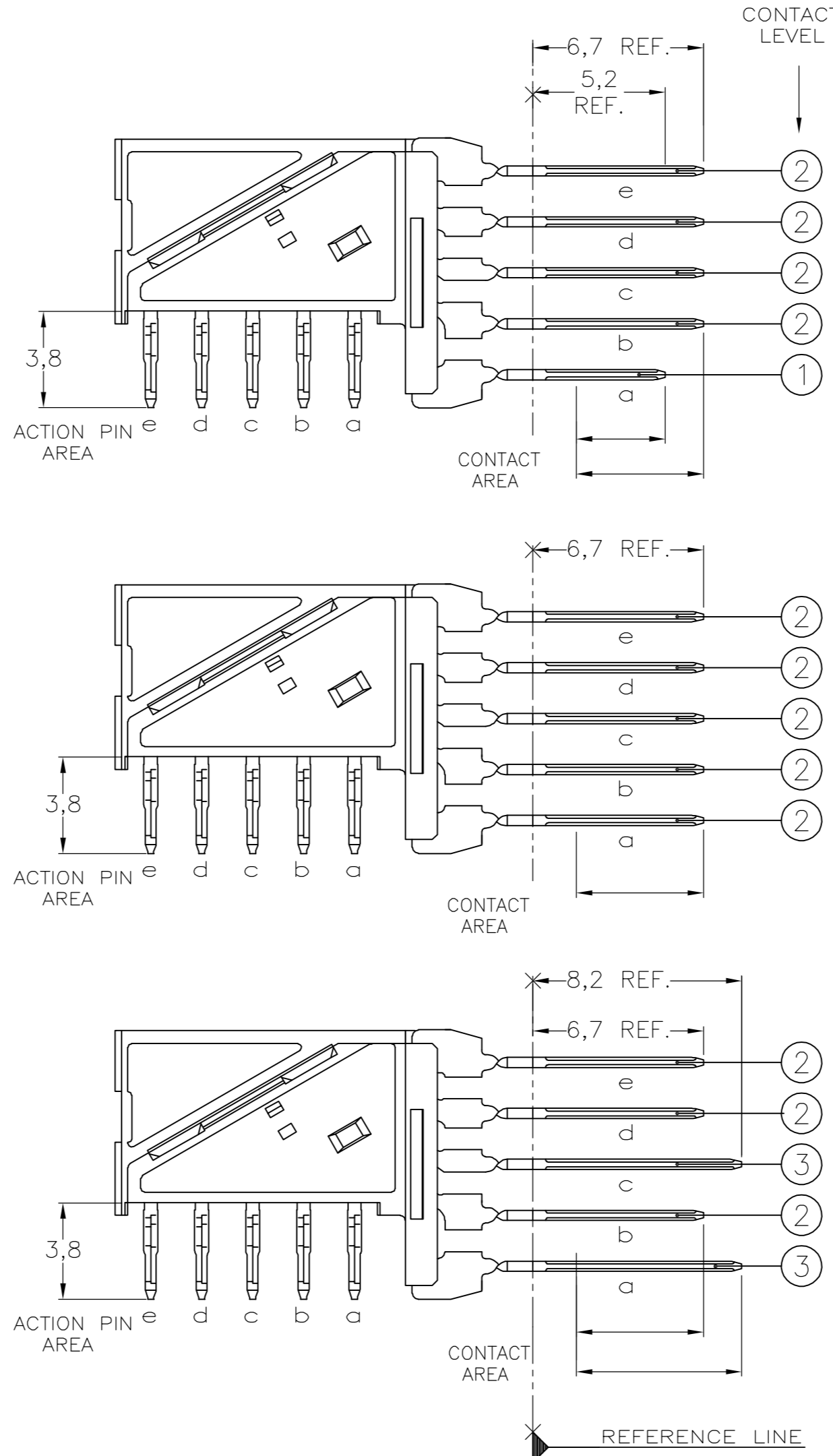


THIS DRAWING IS UNPUBLISHED. RELEASED FOR PUBLICATION
 © COPYRIGHT BY TYCO ELECTRONICS CORPORATION. ALL RIGHTS RESERVED.

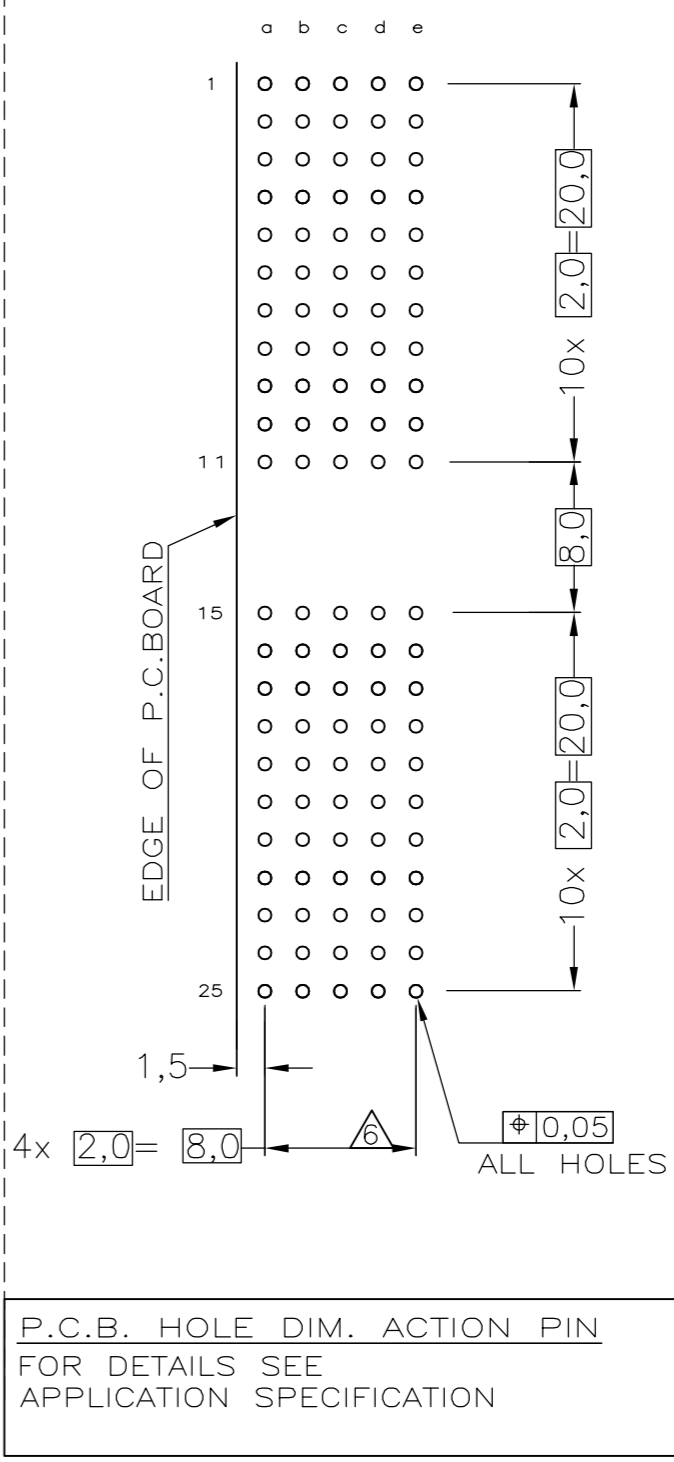


- NOTES:**
- △ MATERIAL HOUSING : GREY GLASSFILLED POLYESTER
CONTACT : PHOSPHORBRONZE
 - △ GENERAL PLATING SPECIFICATION: UNDERPLATING (ENTIRE CONTACT): 1,27µm NICKEL MIN. AND ACTION PIN: 0,5µm TIN-LEAD MIN. FOR PLATING OF MATING SURFACES SEE APPLICABLE SPECIFICATION REFERENCE FOR EACH DASH NUMBER.
 - △ CONFORMS TO ALL TESTING ACCORDING IEC 61076-4-101 PERFORMANCE LEVEL 2.
 - △ CONNECTOR ASSEMBLY WITH LATCH HINGE FOR CABLE CONNECTOR.
 - △ CONNECTOR PRINTED WITH PARTNUMBER AND DATECODE
 - △ PLATED-THROUGH HOLES AT 2x2mm SQUARE GRID.
 - △ AREA FOR KEYING PART (BASIC PART NUMBER 100525).

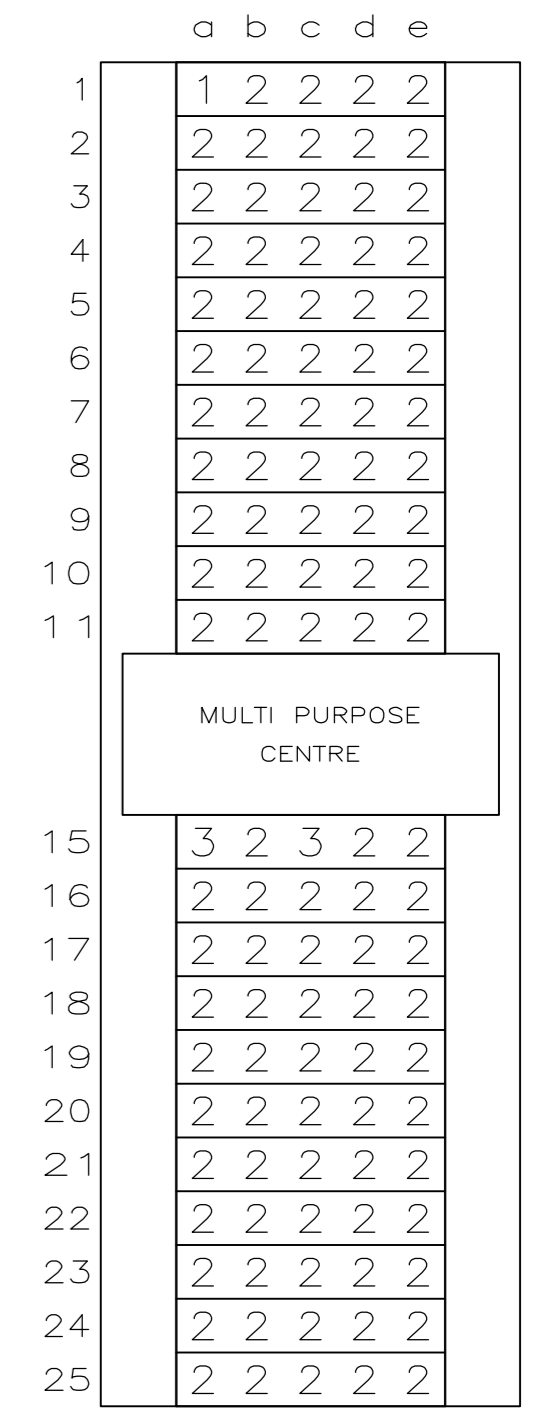
CONTACT DIMENSIONS



RECOMMENDED PCB-HOLE LAY-OUT COMPONENT SIDE SHOWN



CONTACT LAYOUT



Loc	DIST	REVISIONS					
		P	LTR	DESCRIPTION	DATE	DWN	APVD
H	-	C		EHC0-0195-04	07-07-04	DvdB	BM
		D		EH10-0680-05	06-06-05	BSV	BM
		D1		ECR-06-002635	07-02-06	BSV	BM

CONTACT FINISH	MATERIAL	PARTNUMBER
△ 3	△	1-1345055-1 △
△ 3	△	1345055-1

THIS DRAWING IS A CONTROLLED DOCUMENT.		DWN L.v.d.HEIJDEN 18MAY99	tyco Tyco Electronics Corporation	
DIMENSIONS: MM		CHK D. TRUREN	s-HertogenBosch, Netherlands,	
TOLERANCES UNLESS OTHERWISE SPECIFIED:		APVD F.v.KONINGSBRUGGE	NAME	
0 PLC ± -	1 PLC ± -	PRODUCT SPEC	Z-PACK 2MM HM TYPE A	
2 PLC ± -	3 PLC ± -	APPLICATION SPEC	110 POS. RIGHT ANGLE MALE	
4 PLC ± -	ANGLES ± -	114-19029	CONNECTOR ASSEMBLY	
MATERIAL -	FINISH -	WEIGHT -	SIZE A2	CAGE CODE 00779
CUSTOMER DRAWING			DRAWING NO. C=1345055	RESTRICTED TO -
SCALE NTS				SHEET 1 OF 1
				REV D1