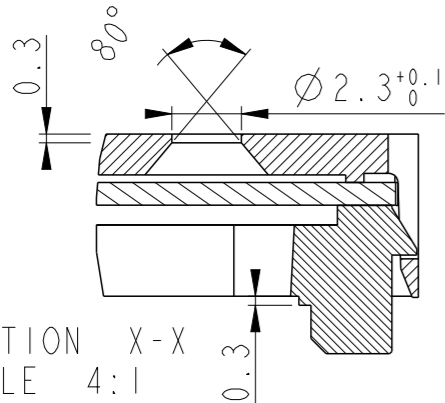
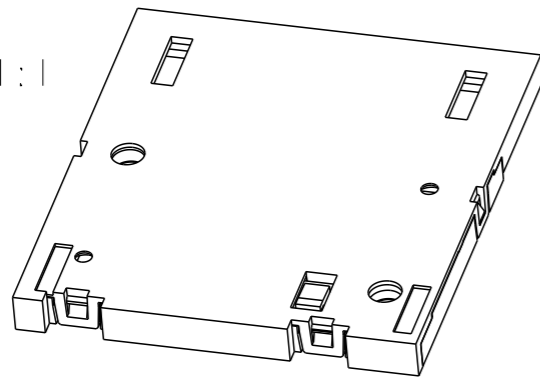
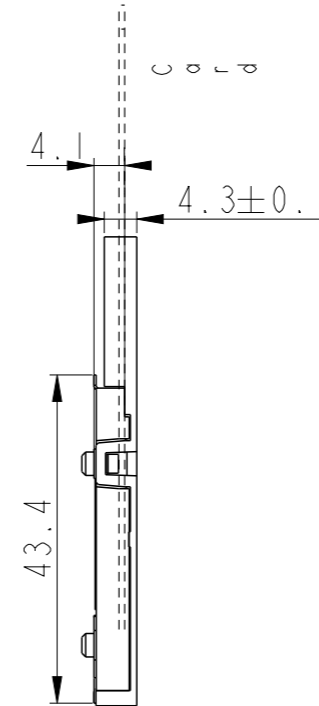
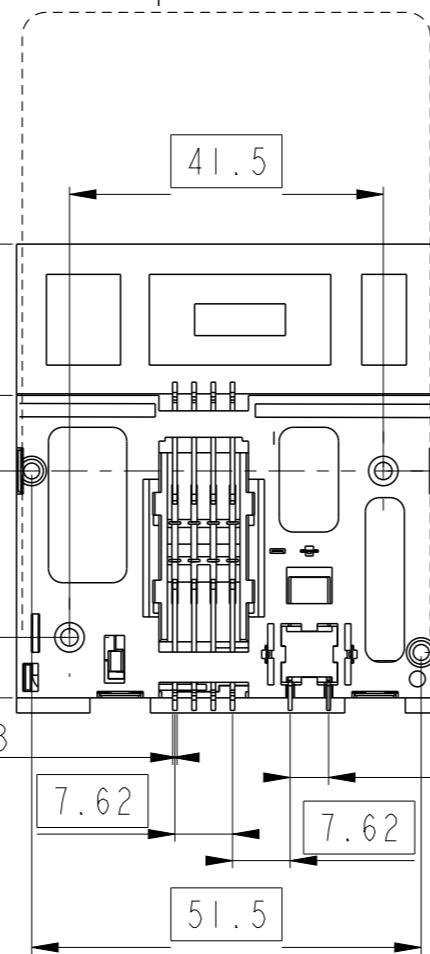
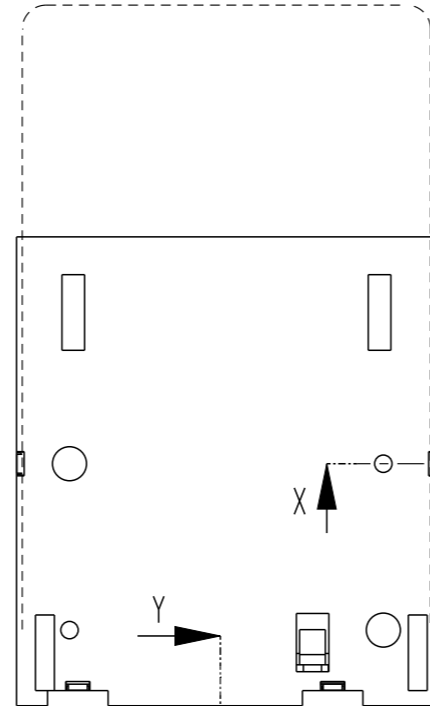
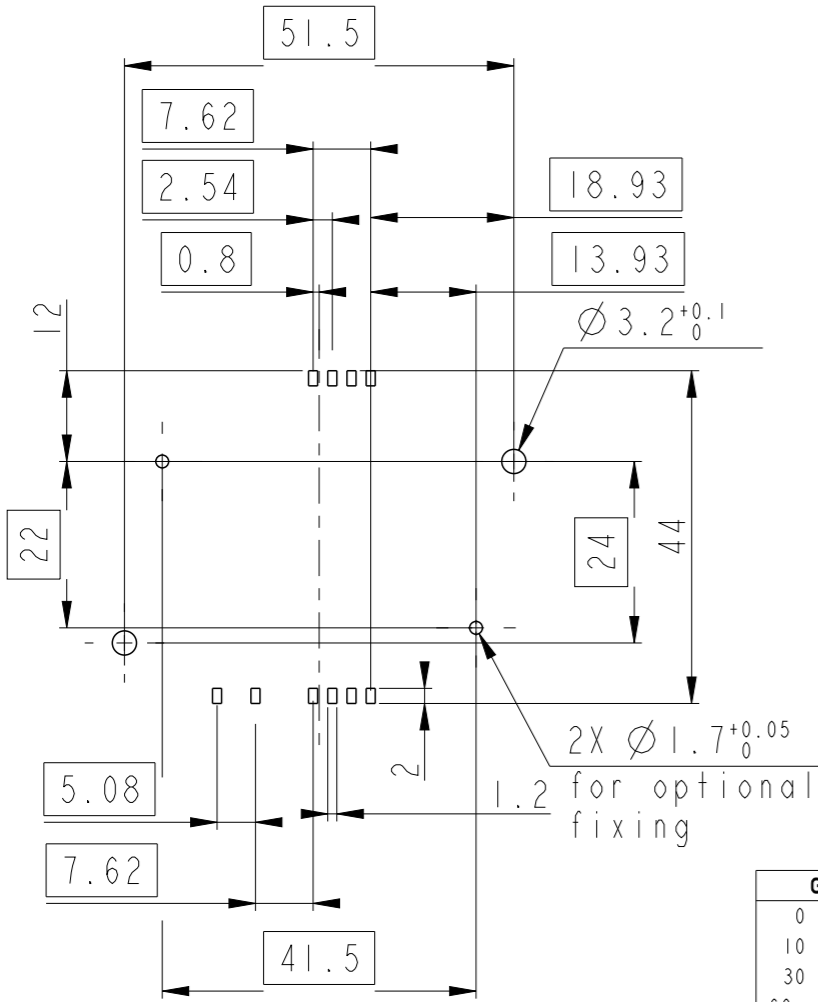


PART NUMBER 7312E0525S01LF

SCALE 1:1



Recommended PCB Layout  
(Component side)



**GENERAL :**

High cycle life duration smart card connector with landing type contacts mechanism. The landing type connector also provides the feature of recessed contacts when card is not inserted which protects them against vandalism. Smart card for reference purposes only.

**ELECTRICAL PROPERTIES:**

Insulation resistance : > 1000MΩ  
Dielectric withstanding voltage : >750 Vrms  
Current carrying capacity : Min 10µA, Max 1A  
Contact resistance : < 100mΩ

**MECHANICAL PROPERTIES :**

Operating force : Insertion : F < 10N  
Withdrawal : 1 < F < 10N  
Contact Normal force : 0.2 < F < 0.3 for 0.6mm of deflection  
Durability : 200 000 mating cycles

**MATERIAL :**

Head reader : High temp. Thermoplastic, Colour Black, Rated UL94V0  
Cover : Thermoplastic, Colour black, Rated UL94V0  
Contacts : Copper alloy,  
Plating : 2.5µm Nickel min. all over  
2µm Gold min. or equivalent on contact area  
3µm matte tin min. on solder tails (for lead free version)

**ENVIRONMENT :**

Operating temperature : -40°C / +85°C  
Climatic conditions : UTE 93-421

**PACKAGING :**

READER: Plastic Cavity Tray  
COVER : Separately in SACHET 400x600  
240cnrs/box, 120cnrs/sachet

**LEAD FREE VERSION :**

"This product meets European Union Directives and other country regulations as described in GS-47-0004"

The reader housing (not cover) will withstand exposure to 260°C peak temperature for 10seconds in a convection reflow oven.

SECTION Y-Y  
SCALE 4:1

spec ref	--	dr	P-Mathew Nebu	2011/05/04	projection	mm	size	A3	scale	1:1	
tolerance std	ISO 406 ISO 1101	eng	Ashok, Abhiman	2018/07/20			ecn no	ELX-I-30746-1	rel level	Released	
TOLERANCES UNLESS OTHERWISE SPECIFIED		chr	-	2018/07/20							product family
surface	ISO 1302	appr	K-Paul Biju	2018/07/20			8 POS. SMT E05 WITH PEGS	dwg no	VJW53787	rev	H
General Tolerances	0 to 10mm: ±0.1mm 10 to 30mm: ±0.15mm 30 to 60mm: ±0.2mm 60 and more: ±0.3mm	linear	0.X ± 0.XX ± 0.XXX ±	angular	0° ±°	cat. no.	See Table	Product - Customer Drw	sheet 1 of 1		