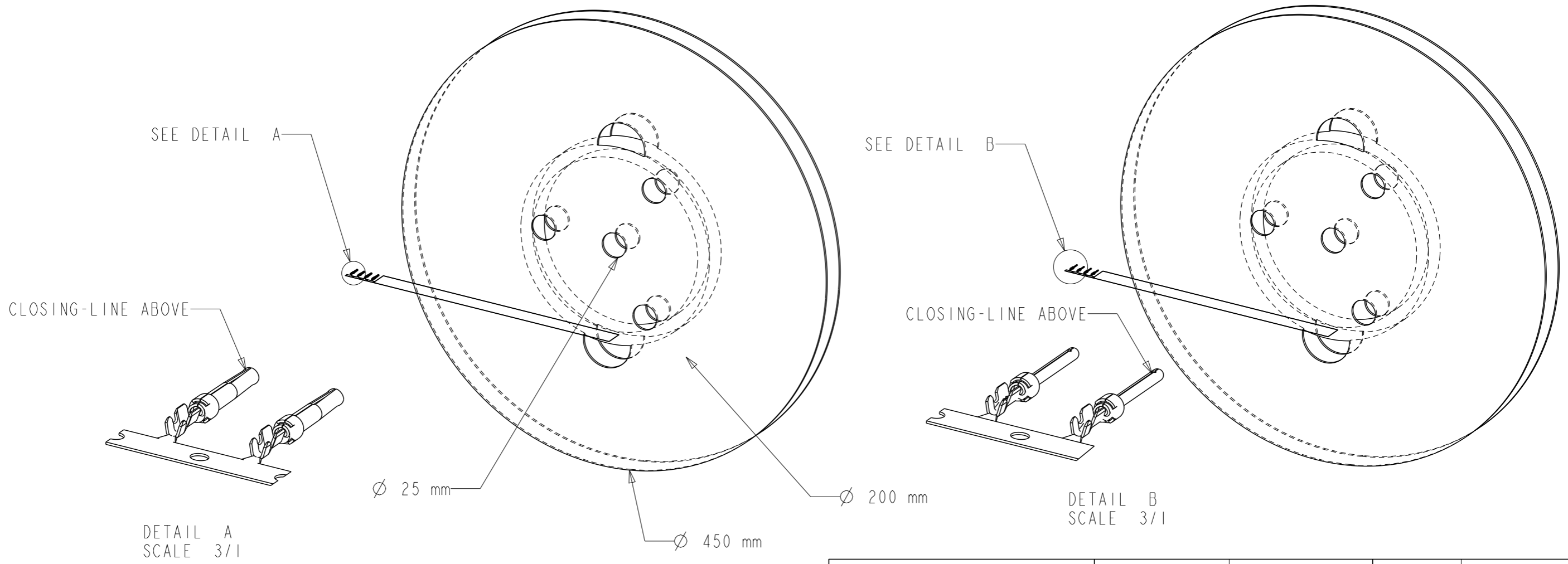


# REFERENCE FOR REEL ACCORDING TO FEEDING DIRECTION

GAUGE	REEL OF 5000 FEMALE CONTACTS		REEL OF 10000 FEMALE CONTACTS	GAUGE	REEL OF 5000 PIN CONTACTS		REEL OF 10000 PIN CONTACTS
# 24-28	86566710064	86566710064LF	-----	# 24-28	86564710064	86564710064LF	-----
# 20-24	86566720064	86566720064LF	-----	# 20-24	86564720064	86564720064LF	-----
# 24-28	86566710065	86566710065LF	-----	# 24-28	86564710065	86564710065LF	-----
# 20-24	86566720065	86566720065LF	-----	# 20-24	86564720065	86564720065LF	-----
# 24-28	86566710067	86566710067LF	-----	# 24-28	86564710067	86564710067LF	-----
# 20-24	86566720067	86566720067LF	-----	# 20-24	86564720067	86564720067LF	-----



Copyright FCI.

**NOTE : ROHS INFORMATIONS**  
 The LF products meet European union directives and other country regulations as described in GS-22-008  
 Terminations plating spec : 2um Nickel min + 2um Sn min  
 Packaging Spec : see GS-14-920

rev	ecn no	dr	date
E	LS06-196	MPE	27/11/2006
F	LS08-0127	MPE	2008/05/13
G	109-0152	AMR	2009-07-27
H	110-0070	AMR	2010-03-09
J	111-0003	AMR	2011-01-06
-	-	-	-
-	-	-	-

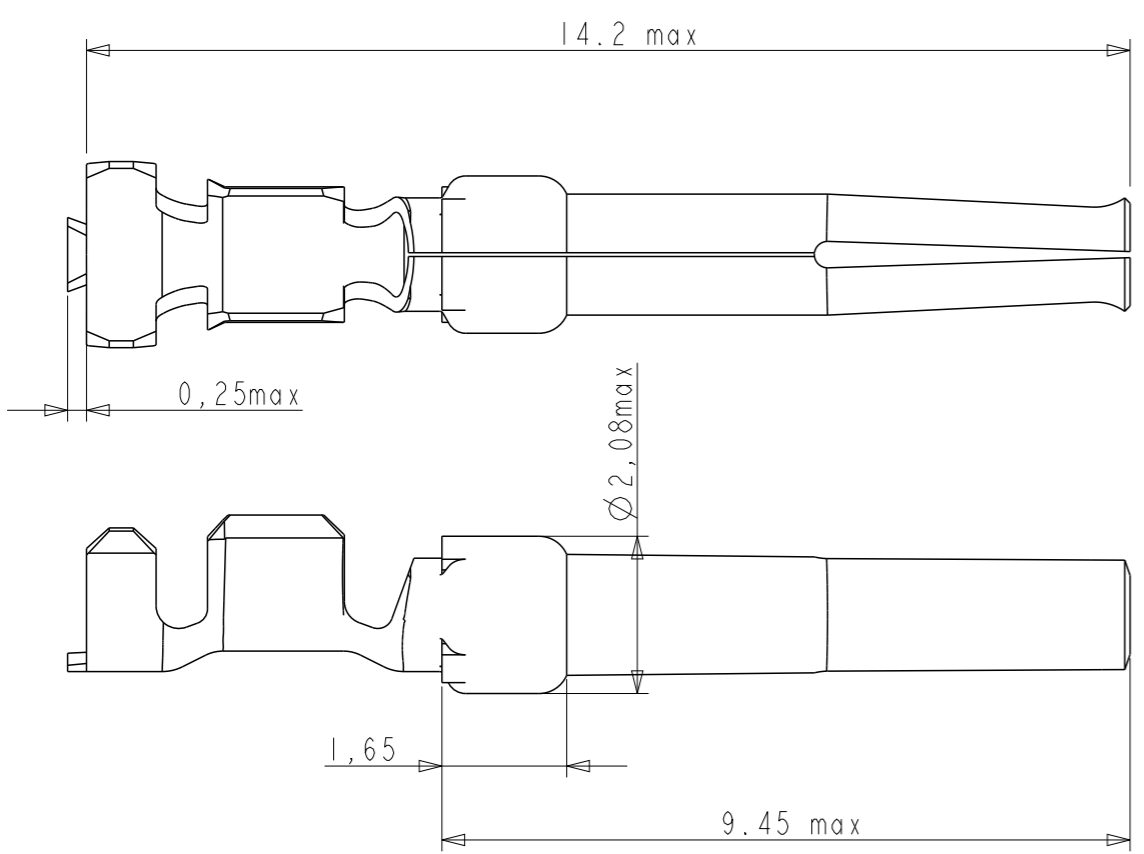
www.fciconnect.com		surface - <input checked="" type="checkbox"/> ISO 1302	tolerance std ISO 406 ISO 1101	projection	mm
TOLERANCES UNLESS OTHERWISE SPECIFIED					
Dr	C JARRY	13/05/02	ANGULAR	size A3	Scale 5/1
Eng	-	-	LINEAR	ECN 111-0003	
Chr	-	-	0° ±2°	Spec ref -	
Appr	-	-	Product family	8656	
		CRIMP CONTACTS		dwg no C01-8656-1525	Rev. J
		customer	sheet 1 of 2		

1

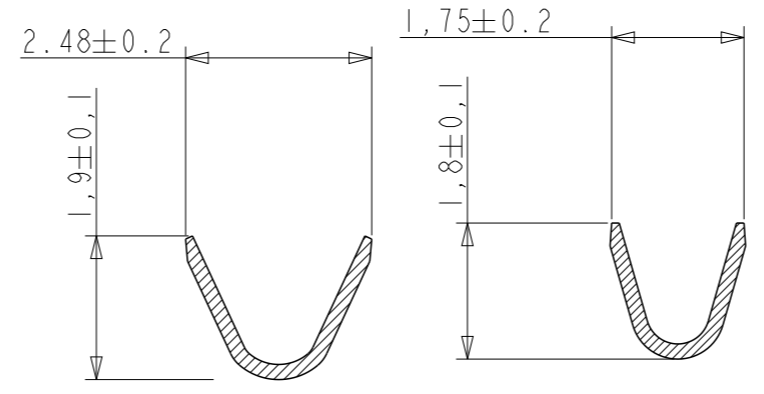
2

3

4



CROSS SECTIONS FOR CT #20-24

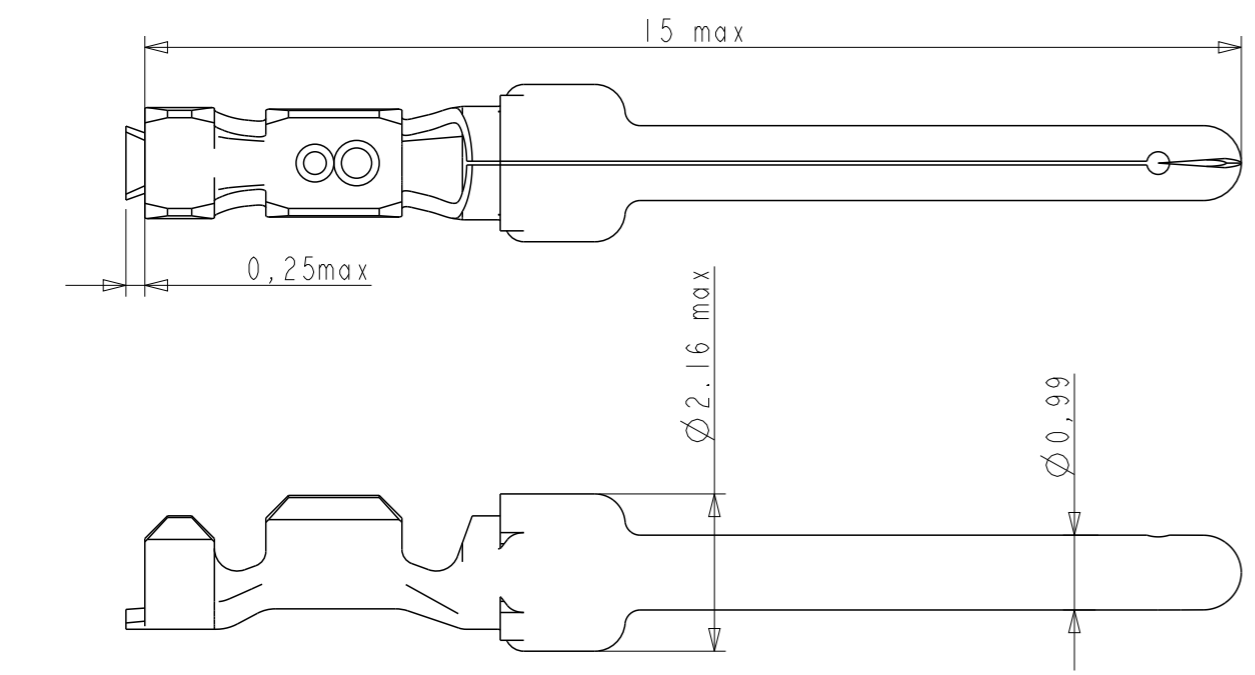


SECTION A-A

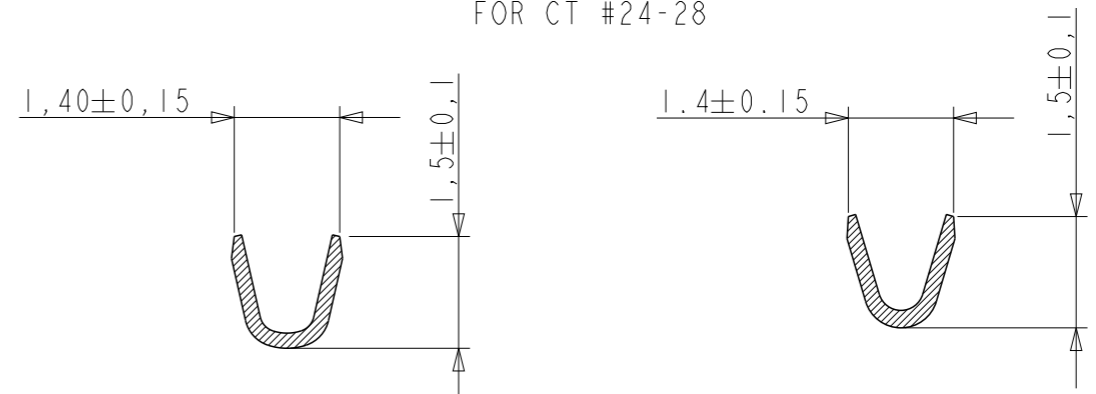
SECTION B-B

NOTES

- 1- Material : Phosphor bronze, thickness 0.20
- 2 -Finish on contact area : termination 064:gold flash  
 termination 065:076μ Au / GXT  
 termination 067:04μ Au / GXT  
 finish on termination : bright tin over nickel
- 3 -Wire range :20 to 28 AWG(see ref sheet 1/2)
- 4 -Max outer dia of wire insulator:  
 -1.73 mm for contact #20-24  
 -1.02 mm for contact #24-28
- 5 -Current carrying capacity per contact:  
 5 Amps max when crimped to #20 AWG  
 5 Amps max when crimped to #22 AWG  
 3 Amps max when crimped to #24 AWG  
 2 Amps max when crimped to #26 AWG  
 1 Amps max when crimped to #28 AWG
- 6 -After 5 insertions into connector, contact retention must be 5 pounds axial load min
- 7 -When contact is crimped to 20 AWG, the insulation support crimped height must be 1.78 mm max to ensure a proper insertion into housing.
- 8-Reel should be continuous without any contacts missing in between
- 9 -Packaging : Reel



CROSS SECTIONS FOR CT #24-28

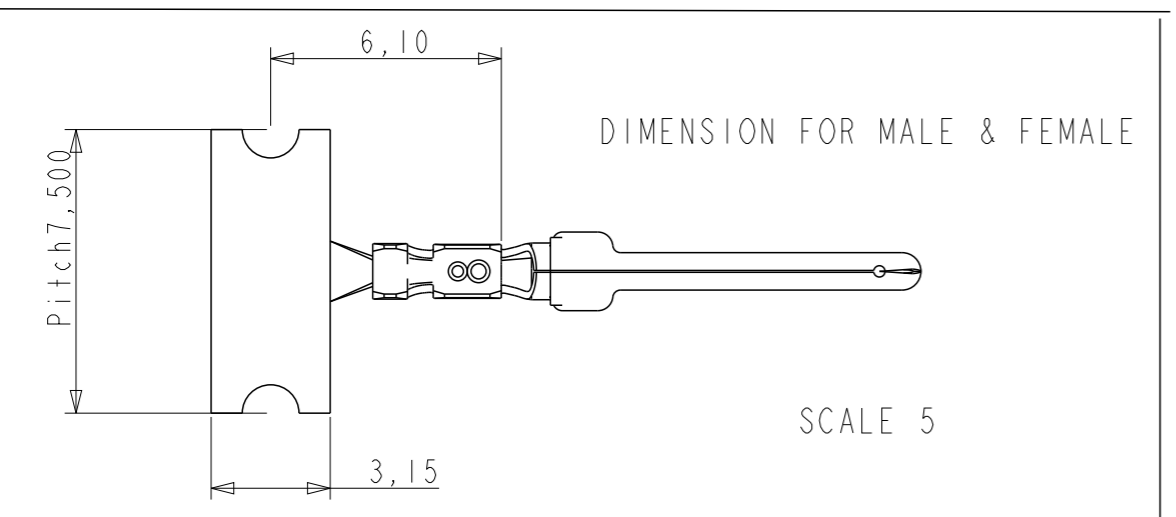


SECTION A-A

SECTION B-B



Copyright FCI.



DIMENSION FOR MALE & FEMALE

SCALE 5

www.fciconnect.com		surface - ✓ ISO 1302	tolerance std ISO 406 ISO 1101	projection mm
TOLERANCES UNLESS OTHERWISE SPECIFIED				
Dr	C JARRY	13/05/02	ANGULAR	0.X ±0.3
Eng	-	-	LINEAR	0.XX ±0.1
Chr	-	-	0° ±2°	0.XXX ±0.05
Appr	-	-	Product family	8656
FCI		title CRIMP CONTACTS		Rev. J
catalog no		-		dwg no C01-8656-1525
customer			sheet 2 of 2	

1

2

3

PDM: Rev:J

STATUS:Released

Printed: Mar 05, 2011