

Features

- Protocol
 - CAN Used as a Physical Layer
 - 7 ISP CAN Identifiers
 - Relocatable ISP CAN Identifiers
 - Autobaud
- In-System Programming
 - Read/Write Flash and EEPROM Memory
 - Read Device ID
 - Full-chip Erase
 - Read/Write Configuration Bytes
 - Security Setting From ISP Command
 - Remote Application Start
- In-Application Programming/Self-Programming
 - Read/Write Flash and EEPROM Memory
 - Read Device ID
 - Block Erase
 - Read/Write Configuration Bytes
 - Bootloader Start

Description

This document describes the CAN bootloader functionalities as well as the CAN protocol to efficiently perform operations on the on-chip Flash (EEPROM) memories. Additional information on the T89C51CC02 product can be found in the T89C51CC02 datasheet and the T89C51CC02 errata sheet available on the Atmel web site, www.atmel.com.

The bootloader software package (source code and binary) currently used for production is available from the Atmel web site.

Bootloader Revision	Purpose of Modifications	Date
Revision 1.0.2	First release	14/12/2001
Revision 1.2.1	Standardization of tasks in source program.	19/03/2007



CAN Microcontrollers

T89C51CC02 CAN Bootloader

Functional Description

The T89C51CC02 Bootloader facilitates In-System Programming and In-Application Programming.

In-System Programming Capability

The ISP allows the user to program or reprogram a microcontroller on-chip Flash memory without removing it from the system and without the need of a pre-programmed application.

The CAN bootloader can manage a communication with a host through the CAN network. It can also access and perform requested operations on the on-chip Flash memory.

In-Application Programming or Self-programming Capability

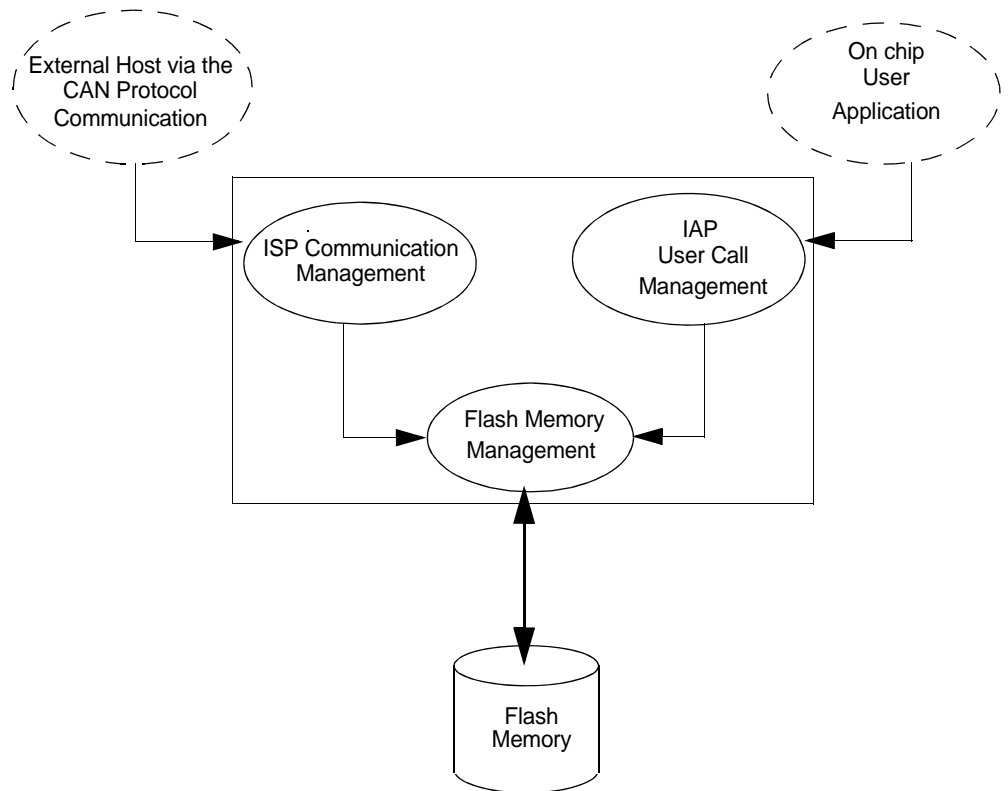
In-Application Programming (IAP) allows the reprogramming of a microcontroller on-chip Flash memory without removing it from the system and while the embedded application is running.

The CAN bootloader contains some Application Programming Interface routines named API routines allowing IAP by using the user's firmware.

Block Diagram

This section describes the different parts of the bootloader. Figure 1 shows the on-chip bootloader and IAP processes.

Figure 1. Bootloader Process Description



ISP Communication Management

The purpose of this process is to manage the communication and its protocol between the on-chip bootloader and an external device (host). The on-chip bootloader implements a CAN protocol (see Section “Protocol”, page 9). This process translates serial communication frames (CAN) into Flash memory accesses (read, write, erase...).

User Call Management

Several Application Program Interface (API) calls are available to the application program to selectively erase and program Flash pages. All calls are made through a common interface (API calls) included in the bootloader. The purpose of this process is to translate the application request into internal Flash memory operations.

Flash Memory Management

This process manages low level accesses to the Flash memory (performs read and write accesses).

Bootloader Configuration

Configuration and Manufacturer Information

The following table lists Configuration and Manufacturer byte information used by the bootloader.

This information can be accessed by the user through a set of API or ISP command.

Mnemonic	Description	Default Value
BSB	Boot Status Byte	FFh
SBV	Software Boot Vector	FCh
P1_CF	Port 1 Configuration	FEh
P3_CF	Port 3 Configuration	FFh
P4_CF	Port 4 Configuration	FFh
SSB	Software Security Byte	FFh
EB	Extra Byte	FFh
CANBT1	CAN Bit Timing 1	FFh
CANBT2	CAN Bit Timing 2	FFh
CANBT3	CAN Bit Timing 3	FFh
NNB	Node Number Byte	FFh
CRIS	CAN Relocatable Identifier Segment	FFh
Manufacturer		58h
ID1: Family code		D7h
ID2: Product Name		BBh
ID3: Product Revision		FFh

Mapping and Default Value of Hardware Security Byte

The 4 Most Significant Bit (MSB) of the Hardware Byte can be read/written by software (this area is called Fuse bits). The 4 Least Significant Bit (LSB) can only be read by software and written by hardware in parallel mode (with parallel programmer devices).

Bit Position	Mnemonic	Default Value	Description
7	X2B	U	To start in x1 mode
6	BLJB	P	To map the boot area in code area between F800h-FFFFh
5	Reserved	U	
4	Reserved	U	
3	Reserved	U	
2	LB2	P	To lock the chip (see datasheet)
1	LB1	U	
0	LB0	U	

Note: U: Unprogram = 1
P: Program = 0

Security

The bootloader has Software Security Byte (SSB) to protect itself from user access or ISP access.

The Software Security Byte (SSB) protects from ISP access. The command "Program Software Security Bit" can only write a higher priority level.

There are three levels of security:

- level 0: **NO_SECURITY** (FFh)
This is the default level.
From level 0, one can write level 1 or level 2.
- level 1: **WRITE_SECURITY** (FEh)
In this level it is impossible to write in the Flash memory, BSB and SBV.
The Bootloader returns ID_ERROR message.
From level 1, one can write only level 2.
- level 2: **RD_WR_SECURITY** (FCh)
Level 2 forbids all read and write accesses to/from the Flash memory.
The Bootloader returns ID_ERROR message.

Only a full chip erase command can reset the software security bits.

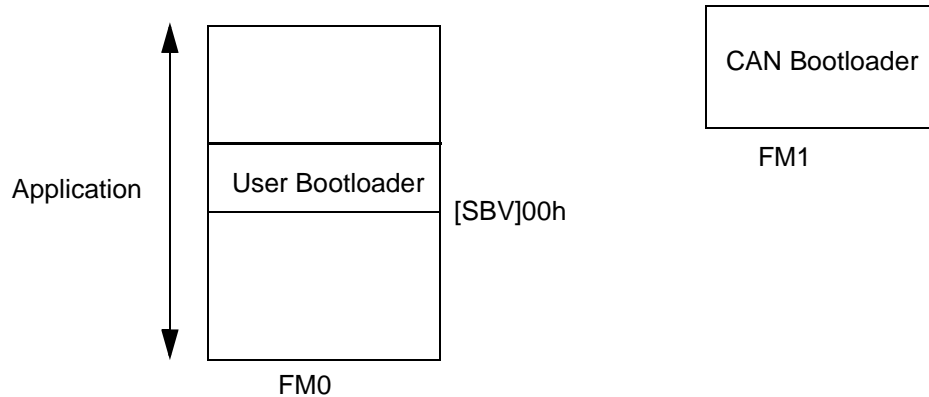
	Level 0	Level 1	Level 2
Flash/EEPROM	Any access allowed	Read only access allowed	All access not allowed
Fuse bit	Any access allowed	Read only access allowed	All access not allowed
BSB & SBV & EB	Any access allowed	Read only access allowed	All access not allowed
SSB	Any access allowed	Write level2 allowed	Read only access allowed
Manufacturer info	Read only access allowed	Read only access allowed	Read only access allowed
Bootloader info	Read only access allowed	Read only access allowed	Read only access allowed
Erase block	Allowed	Not allowed	Not allowed
Full-chip erase	Allowed	Allowed	Allowed
Blank Check	Allowed	Allowed	Allowed

Software Boot Vector

The Software Boot Vector (SBV) forces the execution of a user bootloader starting at address [SBV]00h in the application area (FM0).

The way to start this user bootloader is described in the section “Boot Process”.

Figure 2. Software Boot Vector



FLIP Software Program

FLIP is a PC software program running under Windows® 9x/2000/XP, Windows NT and LINUX® that supports all Atmel Flash microcontroller and CAN protocol communication media.

Several CAN dongles are supported by FLIP (for Windows).

This software program is available free of charge from the Atmel web site.

In-System Programming (ISP)

The ISP allows the user to program or reprogram a microcontroller's on-chip Flash memory through the CAN network without removing it from the system and without the need of a pre-programmed application.

This section describes how to start the CAN bootloader and all higher level protocols over the CAN.

Boot Process

The bootloader can be activated in two ways:

- Hardware condition
- Regular boot process

Hardware Condition

The Hardware Condition forces the bootloader execution from reset.

The default factory Hardware Condition is assigned to port P1.

- P1 must be equal to FEh

In order to offer the best flexibility, the user can define its own Hardware Condition on one of the following Ports:

- Port1
- Port3
- Port4 (only bit0 and bit1)

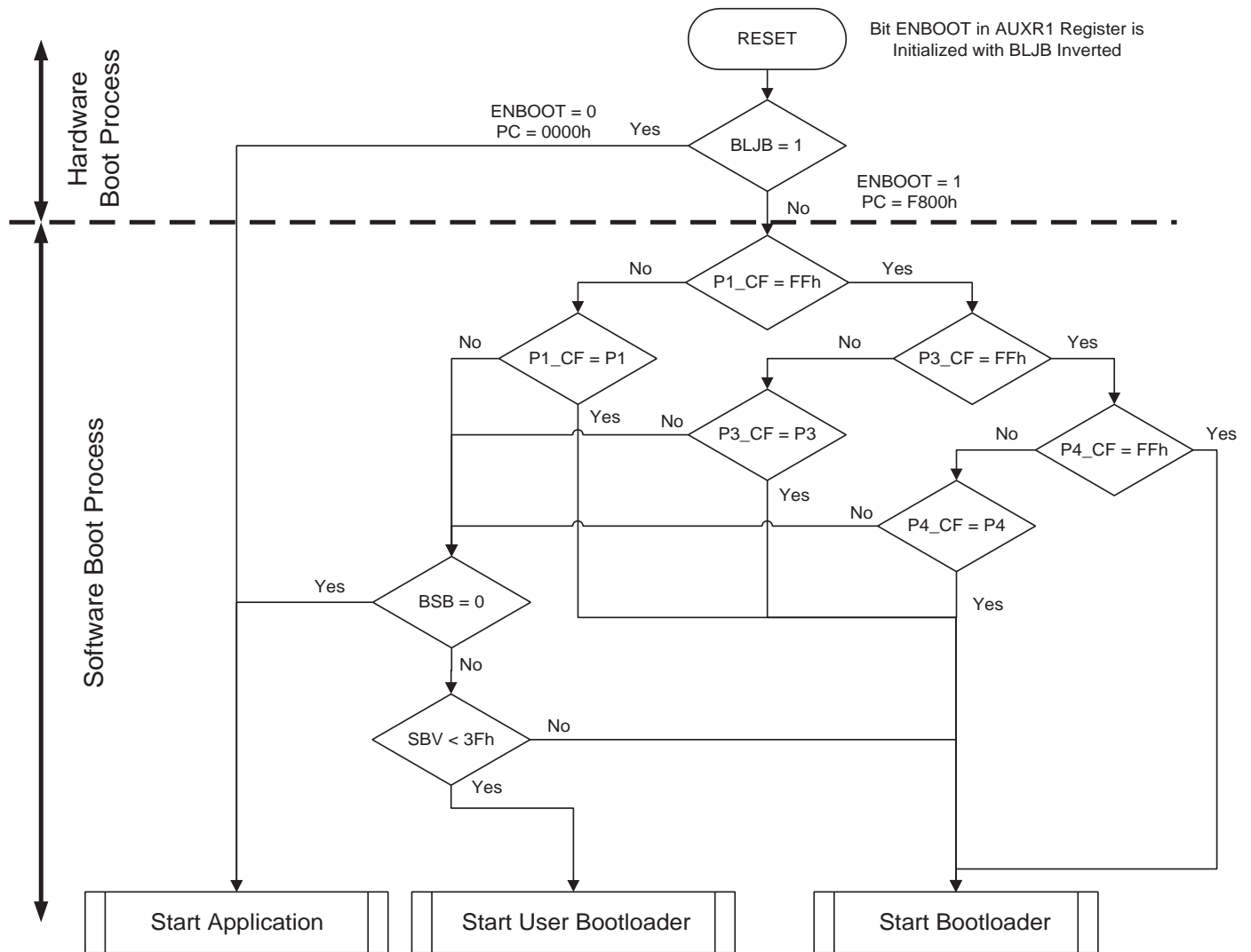
The Hardware Condition configuration are stored in three bytes called P1_CF, P3_CF, P4_CF.

These bytes can be modified by the user through a set of API or through an ISP command.

There is a priority between P1_CF, P3_CF and P4_CF (see Figure 3 on page 7).

Note: The BLJB must be at 0 (programmed) to be able to restart the bootloader.
If the BLJB is equal to 1 (unprogrammed) only the hardware parallel programmer can change this bit (see T89C51CC02 datasheet for more details).

Figure 3. Regular Boot Process



Physical Layer

The CAN is used to transmit information has the following configuration:

- Standard Frame CAN format 2.0A (identifier 11-bit)
- Frame: Data Frame
- Baud rate: autobaud is performed by the bootloader

CAN Controller Initialization

Two ways are possible to initialize the CAN controller:

- Use the software autobaud
- Use the user configuration stored in the CANBT1, CANBT2 and CANBT3

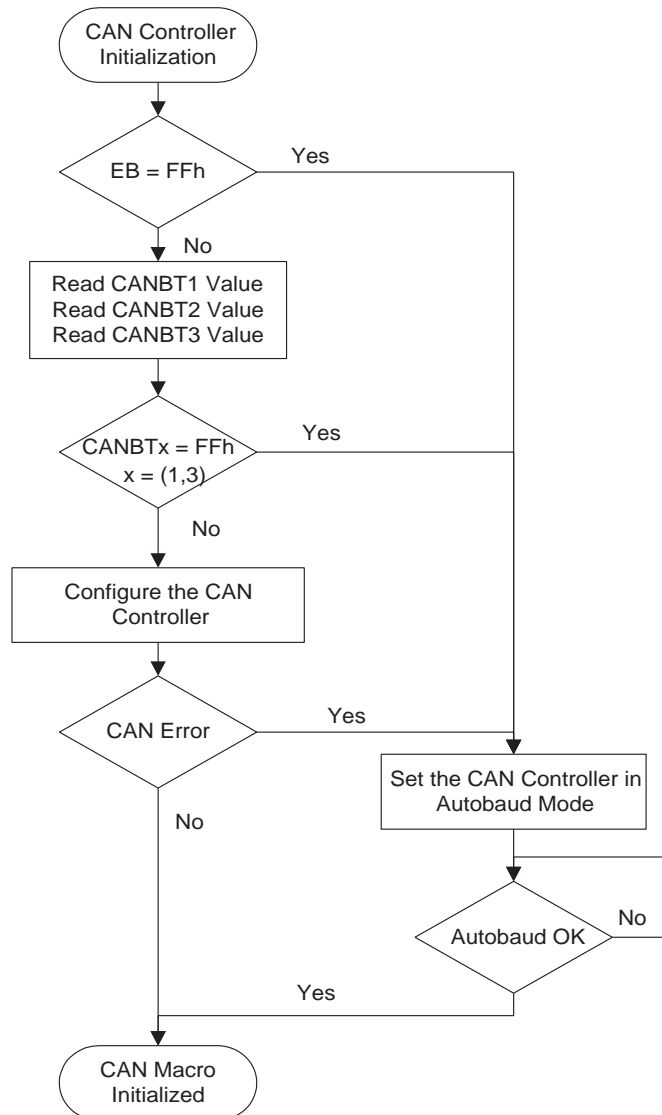
The selection between these two solutions is made with EB:

- EB = FFh: the autobaud is performed.
- EB not equal to FFh: the CANBT1:2:3 are used.

CANBT1:3 and EB can be modified by user through a set of API or with ISP commands.

The figure below describes the CAN controller flow.

Figure 4. CAN Controller Initialization



CAN Autobaud

The following table shows the autobaud performance for a point-to-point connection in X1 mode.

	8 MHz	11.059 MHz	12 MHz	16 MHz	20 MHz	22.1184 MHz	24 MHz	25 MHz	32 MHz	40 MHz
20K										
100K										
125K				–					–	
250K									–	
500K										
1M	–	–	–							

Note: 1. '–' Indicates impossible configuration.

CAN Autobaud Limitation

The CAN Autobaud implemented in the bootloader is efficient only in point-to-point connection. Because in a point-to-point connection, the transmit CAN message is repeated until a hardware acknowledge is done by the receiver.

The bootloader can acknowledge an incoming CAN frame only if a configuration is found.

This functionality is not guaranteed on a network with several CAN nodes.

Protocol

Generic CAN Frame Description

Identifier	Control	Data
11-bit	1 byte	8 bytes max

- Identifier: Identifies the frame (or message). Only the standard mode (11-bit) is used.
- Control: Contains the DLC information (number of data in Data field) 4-bit.
- Data: The data field consists of zero to eight bytes. The interpretation within the frame depends on the Identifier field.

The CAN Protocol manages directly using hardware a checksum and an acknowledge.

Note: To describe the ISP CAN Protocol, we use Symbolic name for Identifier, but default values are given.

Command Description

This protocol allows to:

- Initialize the communication
- Program the Flash or EEPROM Data
- Read the Flash or EEPROM Data
- Program Configuration Information
- Read Configuration and Manufacturer Information
- Erase the Flash
- Start the application

Overview of the protocol is detailed in Appendix-A.

Several CAN message identifiers are defined to manage this protocol.

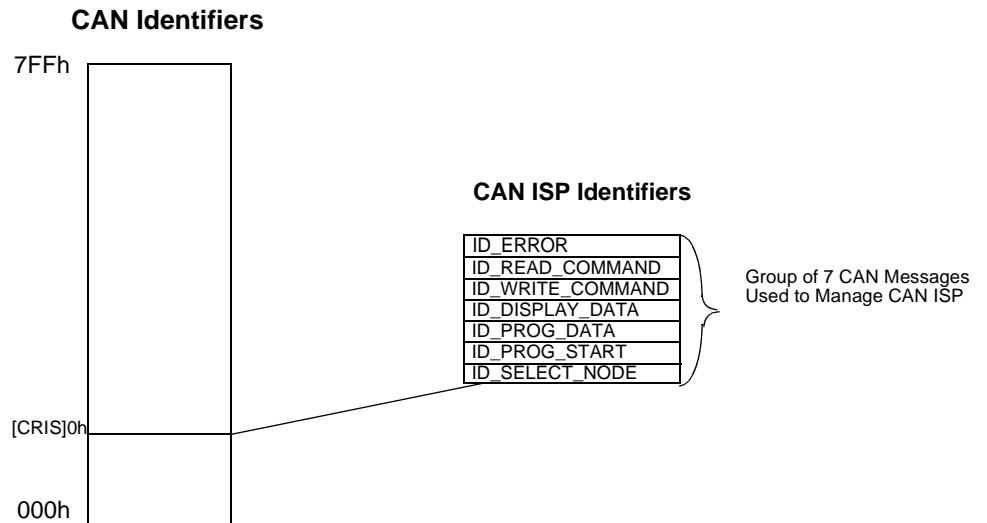
Identifier	Command Effect	Value
ID_SELECT_NODE	Open/Close a communication with a node	[CRIS]0h

Identifier	Command Effect	Value
ID_PROG_START	Start a Flash/EEPROM programming	[CRIS]1h
ID_PROG_DATA	Data for Flash/EEPROM programming	[CRIS]2h
ID_DISPLAY_DATA	Display data	[CRIS]3h
ID_WRITE_COMMAND	Write in XAF, or Hardware Byte	[CRIS]4h
ID_READ_COMMAND	Read from XAF or Hardware Byte and special data	[CRIS]5h
ID_ERROR	Error message from bootloader only	[CRIS]6h

It is possible to allocate a new value for CAN ISP identifiers by writing the byte CRIS with the base value for the group of identifier.

The maximum value for CRIS is 7Fh and the default CRIS value is 00h.

Figure 5. Identifier Remapping



Communication Initialization

The communication with a device (CAN node) must be opened prior to initiating any ISP communication.

To open the communication with the device, the Host sends a “connecting” CAN message (ID_SELECT_NODE) with the node number (NNB) passed in parameter.

If the node number passed is equal to FFh then the CAN bootloader accepts the communication (Figure 6).

Otherwise the node number passed in parameter must be equal to the local Node Number (Figure 7).

Figure 6. First Connection

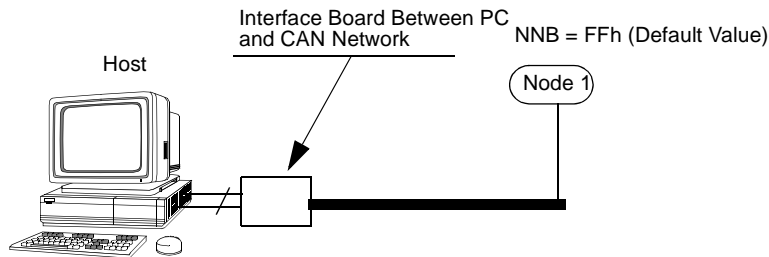
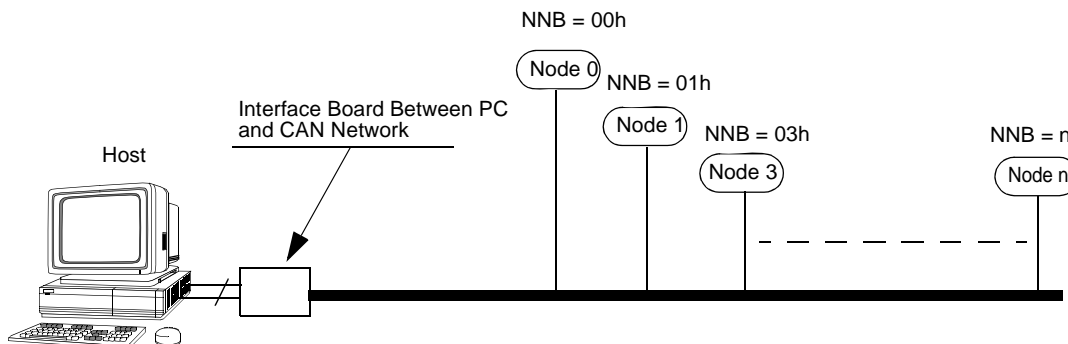


Figure 7. On Network Connection



Before opening a new communication with another device, the current device communication must be closed with its connecting CAN message (ID_SELECT_NODE).

Request from Host

Identifier	Length	Data[0]
ID_SELECT_NODE	1	num_node

Note: Num_node is the NNB (Node Number Byte) to which the Host wants to talk to.

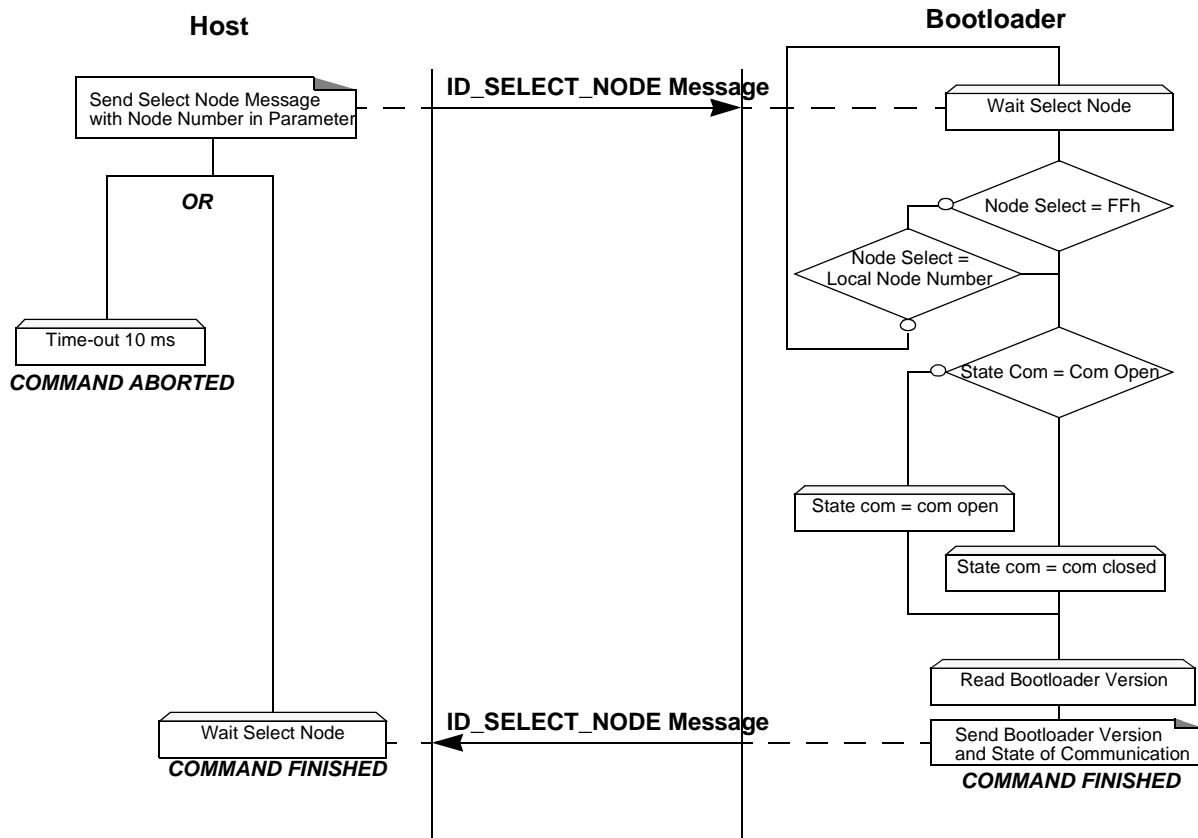
Answers from Bootloader

Identifier	Length	Data[0]	Data[1]	Comment
ID_SELECT_NODE	2	boot_version	00h	Communication close
			01h	Communication open

Note: Data[0] contains the bootloader version.

If the communication is closed then all the others messages won't be managed by bootloader.

ID_SELECT_NODE Flow Description



ID_SELECT_NODE Example

	identifier	length	data
HOST	ID_SELECT_NODE	01	FF
BOOTLOADER	ID_SELECT_NODE	02	01 01

Programming the Flash or EEPROM data

The communication flow described above shows how to program data in the Flash memory or in the EEPROM data memory. This operation can be executed only with a device previously opened in communication.

1. The first step is to indicate which memory area (Flash or EEPROM data) is selected and the range address to program.
2. The second step is to transmit the data.

The bootloader programs on a page of 128 bytes basis when it is possible.

The host must take care of the following:

- The data to program transmitted within a CAN frame are in the same page.
- To transmit 8 data bytes in CAN message when it is possible
- To start the programming operation, the Host sends a “start programming” CAN message (ID_PROG_START) with the area memory selected in data[0], the start address and the end address passed in parameter.

Requests from Host

Identifier	Length	Data[0]	Data[1]	Data[2]	Data[3]	Data[4]
ID_PROG_START	5	00h	Address_start		Address_end	
		01h				

- Notes:
1. Data[0] chooses the area to program:
 - 00h: Flash
 - 01h: EEPROM data
 2. Address_start gives the start address of the programming command.
 3. Address_end gives the last address of the programming command.

Answers from Bootloader

The device has two possible answers:

- If the chip is protected from program access an “Error” CAN message is sent (see Section “Error Message Description”, page 23).
- Otherwise an acknowledge is sent.

Identifier	Length
ID_PROG_START	0

The second step of the programming operation is to send data to program.

Request from Host

To send data to program, the Host sends a “programming data” CAN message (Id_prog_data) with up to 8 data by message and must wait for the answer of the device before sending the next data to program.

Identifier	Length	Data[0]	...	Data[7]
ID_PROG_DATA	up to 8	x	...	x

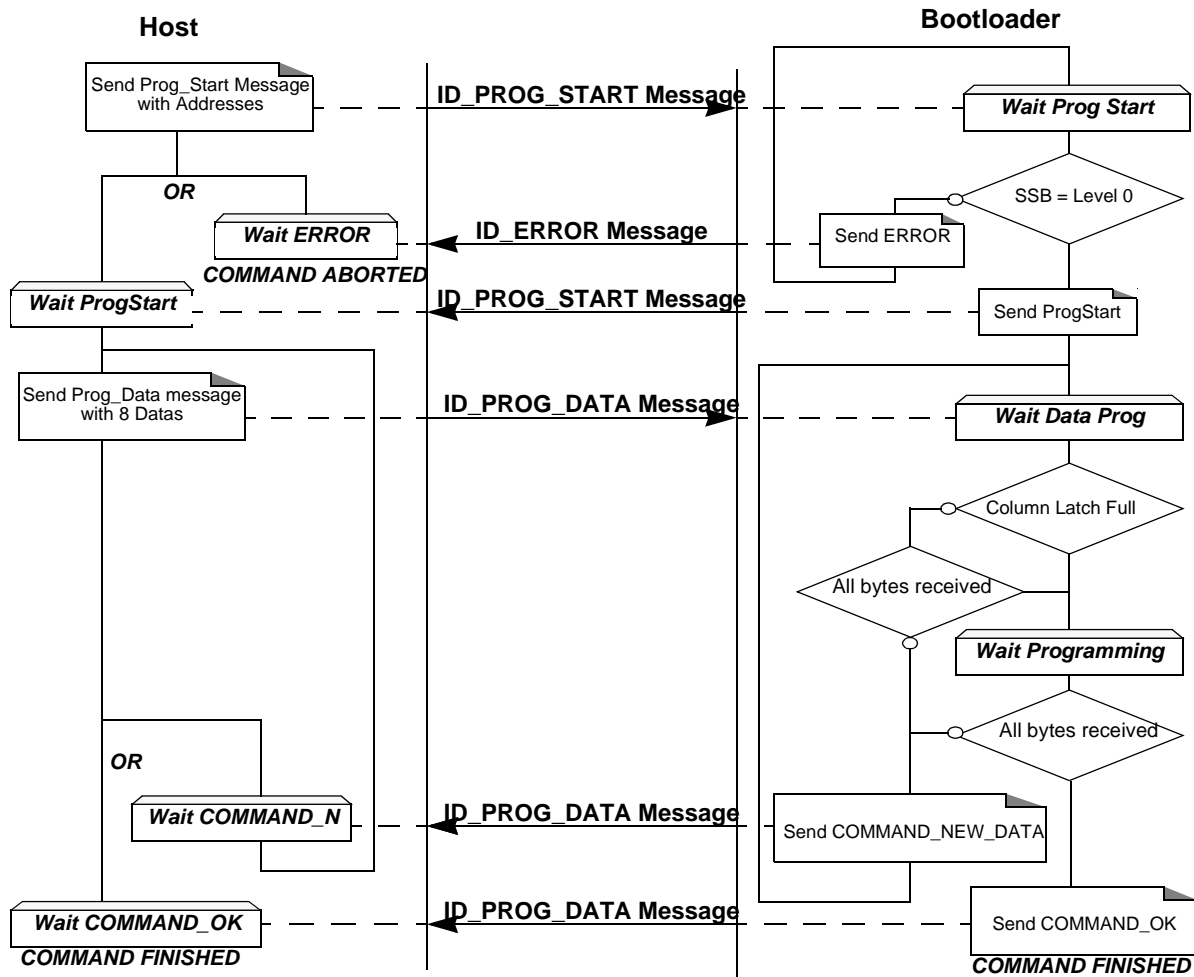
Answers from
Bootloader

The device has two possible answers:

- If the device is ready to receive new data, it sends a “programming data” CAN message (Id_prog_data) with the result Command_new passed in parameter.
- If the device has finished the programming, it sends a “programming data” CAN message (Id_prog_data) with the result Command_ok passed in parameter.

Identifier	Length	Data[0]	Description
ID_PROG_DATA	1	00h	Command OK
		01h	Command fail
		02h	Command new data

ID_PROG_DATA Flow Description



Programming Example

Programming Data (write 55h from 0000h to 0008h in the flash)

	identifier	control	data				
HOST	Id_prog_start	05	00	00	00	00	08
BOOTLOADER	Id_prog_start	00					
HOST	Id_prog_data	08	55	55	55	55	55
BOOTLOADER	Id_prog_data	01	02	// command_new_data			
HOST	Id_prog_data	01	55				
BOOTLOADER	Id_prog_data	01	00	// command_ok			

Programming Data (write 55h from 0000h to 0008h in the flash), with SSB in write security

	identifier	control	data				
HOST	Id_prog_start	04	00	00	00	08	
BOOTLOADER	Id_error	01	00	// error_security			

Reading the Flash or EEPROM Data

The ID_PROG_DATA flow described above allows the user to read data in the Flash memory or in the EEPROM data memory. A blank check command is possible with this flow.

This operation can be executed only with a device previously opened in communication.

To start the reading operation, the Host sends a “Display Data” CAN message (ID_DISPLAY_DATA) with the area memory selected, the start address and the end address passed in parameter.

The device splits into blocks of 8 bytes the data to transfer to the Host if the number of data to display is greater than 8 data bytes.

Requests from Host

Identifier	Length	Data[0]	Data[1]	Data[2]	Data[3]	Data[4]
ID_DISPLAY_DATA	5	00h	Address_start		Address_end	
		01h				
		02h				

- Notes:
- Data[0] selects the area to read and the operation
 - 00h: Display Flash
 - 01h: Blank Check on the Flash
 - 02h: Display EEPROM data
 - The address_start gives the start address to read.
 - The address_end gives the last address to read.

Answers from Bootloader

The device has two possible answers:

- If the chip is protected from read access an “Error” CAN message is sent (see Section “Error Message Description”, page 23).
- Otherwise, for a display command, the device starts to send the data up to 8 by frame to the host. For a blank check command the device sends a result OK or the first address not erased.

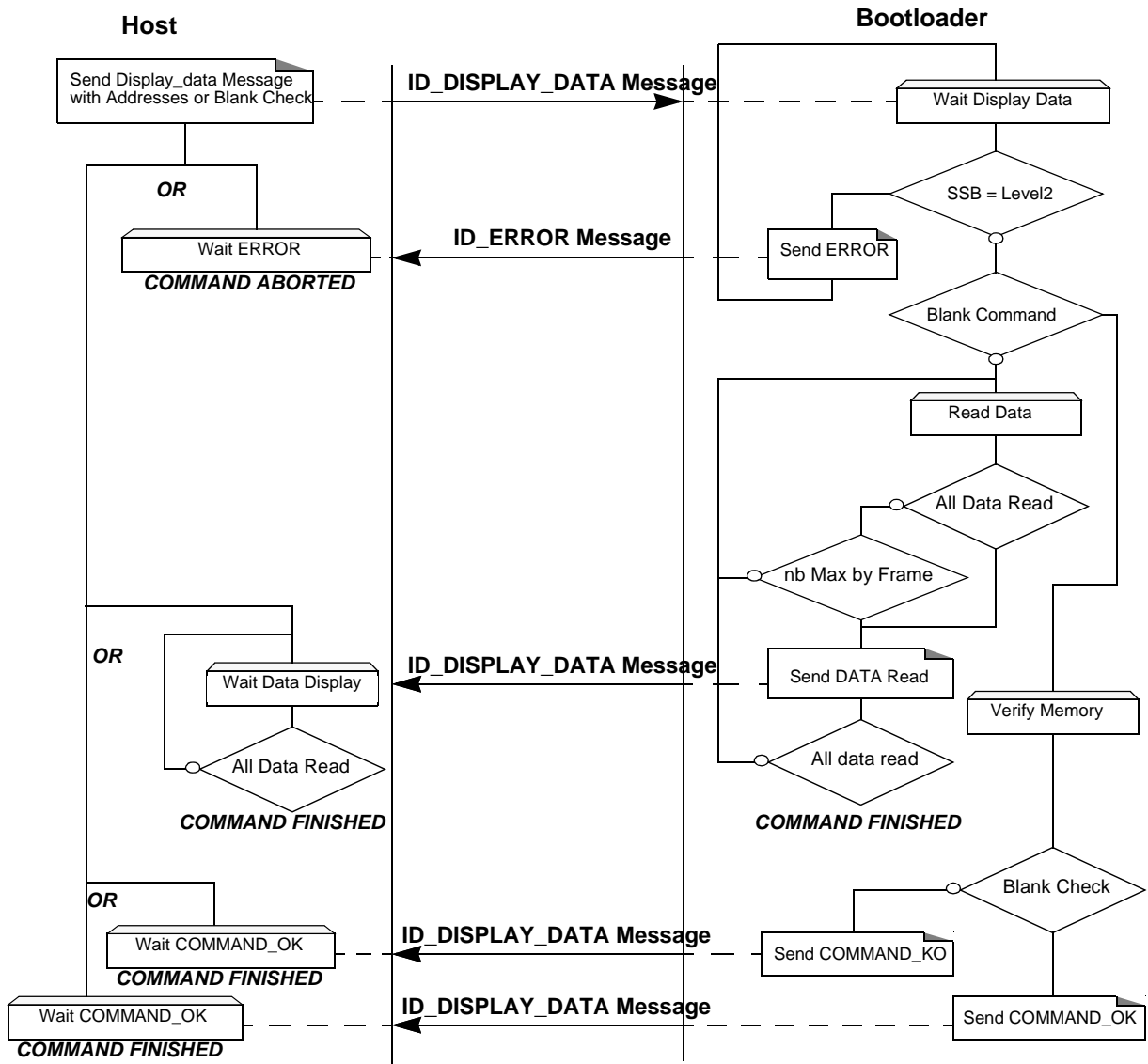
Answer to a read command:

Identifier	Length	data[n]
ID_DISPLAY_DATA	n	x

Answer to a blank check command:

Identifier	Length	Data[0]	Data[1]	Description
ID_DISPLAY_DATA	0	-	-	Blank Check OK
	2	address_start		

ID_DISPLAY_DATA Flow Description



ID_Display_DATA

Example

Display Data (from 0000h to 0008h)

	identifier	control	data							
HOST	Id_display_data	05	00	00	00	00	00	08		
BOOTLOADER	Id_display_data	08	55	55	55	55	55	55	55	55
BOOTLOADER	Id_display_data	01	55							

Blank Check

	identifier	control	data							
HOST	Id_display_data	05	01	00	00	00	08			
BOOTLOADER	Id_display_data	00	// Command OK							

Programming Configuration Information

The ID_WRITE_COMMAND flow described below allows the user to program Configuration Information regarding the bootloader functionalities.

This operation can be executed only with a device previously opened in communication.

The Configuration Information can be divided in two groups:

- Boot Process Configuration:
 - BSB
 - SBV
 - Fuse bits (BLJB and X2 bits) (see Section “Mapping and Default Value of Hardware Security Byte”, page 4)
- CAN Protocol Configuration:
 - P1_CF, P3_CF, P4_CF
 - BTC_1, BTC_2, BTC_3
 - SSB
 - EB
 - NNB
 - CRIS

Note: The CAN protocol configuration bytes are taken into account only after the next reset.

To start the programming operation, the Host sends a “write” CAN message (ID_WRITE_COMMAND) with the area selected, the value passed in parameter.

Take care that the Program Fuse bit command programs the 4 Fuse bits at the same time.

Requests from Host

Identifier	Length	Data[0]	Data[1]	Data[2]	Description
ID_WRITE_COMMAND	3	01h	value	00h	write value in BSB
				01h	write value in SBV
				02h	write value in P1_CF
				03h	write value in P3_CF
				04h	write value in P4_CF
				05h	write value in SSB
				06h	write value in EB
				1Ch	write value in BTC_1
				1Dh	write value in BTC_2
				1Eh	write value in BTC_3
				1Fh	write value in NNB
				20h	write value in CRIS
				2	02h

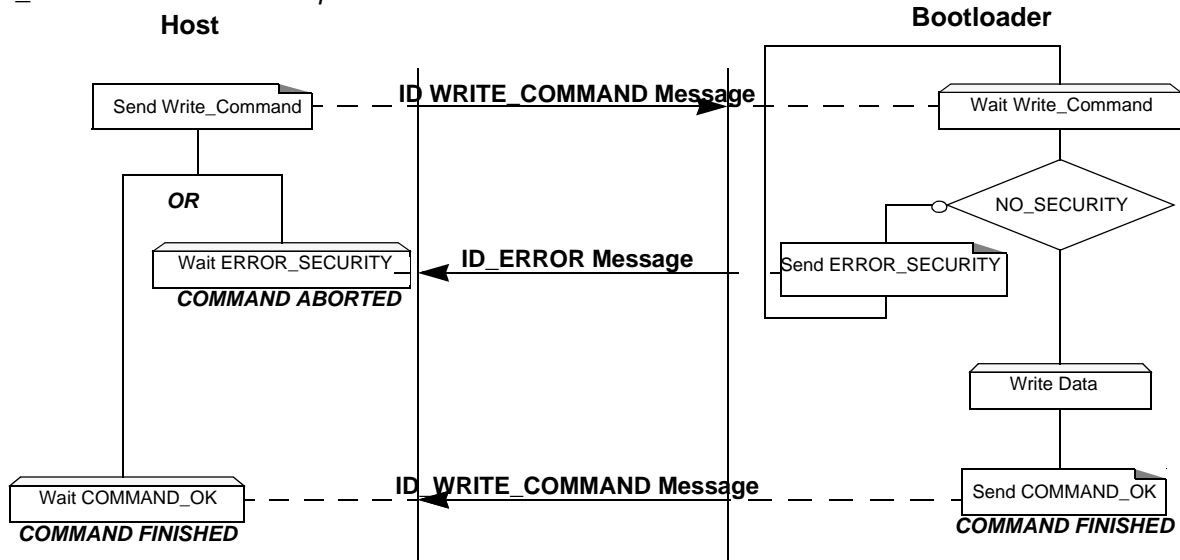
Answers from Bootloader

The device has two possible answers:

- If the chip is protected from program access an “Error” CAN message is sent (see Section “Error Message Description”, page 23).
- Otherwise an acknowledge “Command OK” is sent.

Identifier	Length	Data[0]	Description
ID_WRITE_COMMAND	1	00h	Command OK

ID_WRITE_COMMAND Flow Description



ID_WRITE_COMMAND Example

Write BSB at 88h

	identifier	control	data
HOST	Id_write_command	03	01 00 88
BOOTLOADER	Id_write_command	01	00 // command_ok

Write Fuse bit at Fxh

	identifier	control	data
HOST	Id_write_command	02	02 F0
BOOTLOADER	Id_write_command	01	00 // command_ok

Reading Configuration Information or Manufacturer Information

The ID_READ_COMMAND flow described below allows the user to read the configuration or manufacturer information. This operation can be executed only with a device previously opened in communication.

To start the reading operation, the Host sends a “Read Command” CAN message (ID_READ_COMMAND) with the information selected passed in data field.

Requests from Host

Identifier	Length	Data[0]	Data[1]	Description
ID_READ_COMMAND	2	00h	00h	Read Bootloader version
			01h	Read Device ID1
			02h	Read Device ID2
	2	01h	00h	Read BSB
			01h	Read SBV
			02h	Read P1_CF
			03h	Read P3_CF
			04h	Read P4_CF
			05h	Read SSB
			06h	Read EB
			1Ch	Read BTC_1
			1Dh	Read BTC_2
			1Eh	Read BTC_3
			1Fh	Read NNB
			20h	Read CRIS
			30h	Read Manufacturer Code
			31h	Read Family Code
			60h	Read Product Name
	61h	Read Product Revision		
2	02h	00h	Read HSB (Fuse bits)	

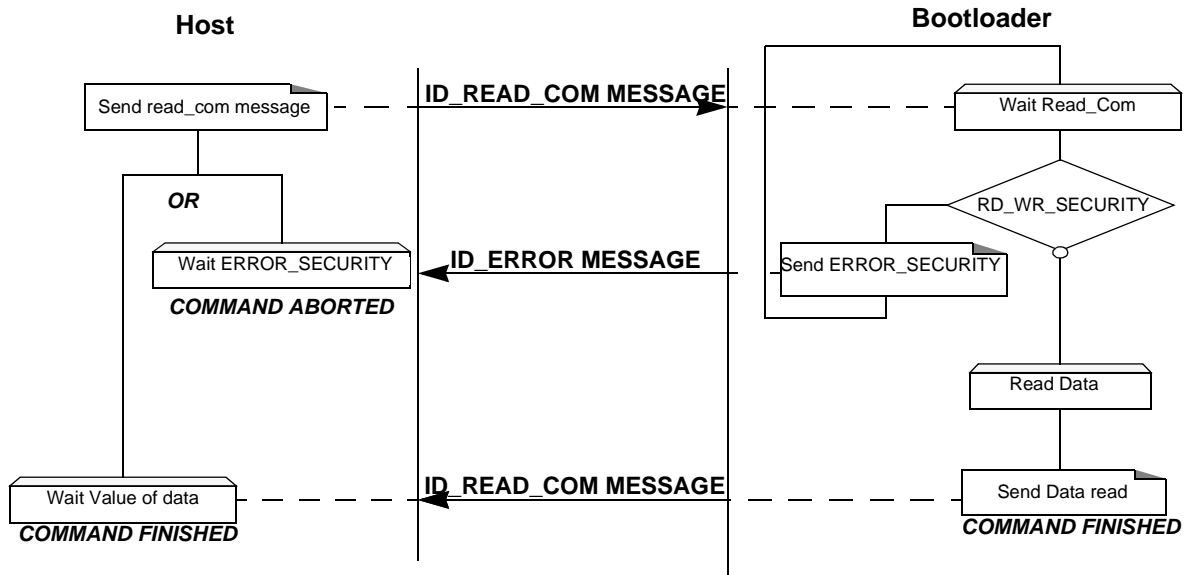
Answers from Bootloader

The device has two possible answers:

- If the chip is protected from read access an “Error” CAN message is sent (see Section “Error Message Description”, page 23).
- Otherwise the device answers with a Read Answer CAN message (ID_READ_COMMAND).

Identifier	Length	Data[n]
ID_READ_COMMAND	1	value

Flow Description



ID_READ_COMMAND

Example

Read Bootloader Version

	identifier	control	data
HOST	Id_read_command	02	00 00
BOOTLOADER	Id_read_command	01	55 // Bootloader version 55h

Read SBV

	identifier	control	data
HOST	Id_read_command	02	01 01
BOOTLOADER	Id_read_command	01	F5 // SBV = F5h

Read Fuse bit

	identifier	control	data
HOST	Id_read_command	01	02
BOOTLOADER	Id_read_command	01	F0 // Fuse bit = F0h

Erasing the Flash

The ID_WRITE_COMMAND flow described below allows the user to erase the Flash memory. This operation can be executed only with a device previously opened in communication.

Two modes of Flash erasing are possible:

- Full-chip erase
- Block erase

The Full-chip erase command erases the whole Flash (16 Kbytes) and sets some Configuration Bytes to their default values:

- BSB = FFh
- SBV = FFh
- SSB = FFh (NO_SECURITY)

Note: Take care that the full chip erase execution takes few seconds (128 pages)

The Block erase command erases only a part of the Flash.

Two Blocks are defined in the T89C51CC02:

- block0 (from 0000h to 1FFFh)
- block1 (from 2000h to 3FFFh)

To start the erasing operation, the Host sends a “write” CAN message (ID_WRITE_COMMAND).

Requests from Host

Identifier	Length	Data[0]	Data[1]	Description
ID_WRITE_COMMAND	2	00h	00h	Erase block0 (0K to 8K)
			20h	Erase block1 (8K to 16K)
			FFh	Full chip erase

Answers from Bootloader

As the Program Configuration Information flows, the erase block command has two possible answers:

- If the chip is protected from program access an “Error” CAN message is sent (see Section “Error Message Description”, page 23).
- Otherwise an acknowledge is sent.

The full chip erase is always executed whatever the Software Security Byte value is.

On a full chip erase command an acknowledge “Command OK” is sent.

Identifier	Length	data[0]	Description
ID_WRITE_COMMAND	1	00h	Command OK

ID_WRITE_COMMAND Example

Full-chip Erase

```

                                identifier  control  data
HOST          Id_write_command  02      00  FF
BOOTLOADER    Id_write_command  01      00  // command_ok

```

Starting the Application

The ID_WRITE_COMMAND flow described below allows to start the application directly from the bootloader upon a specific command reception.

This operation can be executed only with a device previously opened in communication.

Two options are possible:

- Start the application with a reset pulse generation (using watchdog).
When the device receives this command the watchdog is enabled and the bootloader enters a waiting loop until the watchdog resets the device.
Take care that if an external reset chip is used the reset pulse in output may be wrong and in this case the reset sequence is not correctly executed.
- Start the application without reset
A jump at the address 0000h is used to start the application without reset.

To start the application, the Host sends a “Start Application” CAN message (ID_WRITE_COMMAND) with the corresponding option passed in parameter.

Requests from Host

Identifier	Length	Data[0]	Data[1]	Data[2]	Data[3]	Description
ID_WRITE_COMMAND	2	03h	00h	-	-	Start Application with a reset pulse generation
	4		01h	address		Start Application with a jump at “address”

Answer from Bootloader No answer is returned by the device.

ID_WRITE_COMMAND Example

Start application

```

                                identifier  control  data
HOST                            Id_write_command  04    03  01  00  00
BOOTLOADER                       No answer

```

Error Message Description

The error message is implemented to report when an action required is not possible.

- At the moment only the security error is implemented and only the device can answer this kind of CAN message (ID_ERROR).

Identifier	Length	Data[0]	Description
ID_ERROR	1	00h	Software Security Error

In-Application Programming/Self-programming

The IAP allows to reprogram a microcontroller's on-chip Flash memory without removing it from the system and while the embedded application is running.

The user application can call some Application Programming Interface (API) routines allowing IAP. These API are executed by the bootloader.

To call the corresponding API, the user must use a set of Flash_api routines which can be linked with the application.

Example of Flash_api routines are available on the Atmel web site on the application note:

C Flash Drivers for the T89C51CC02CA

The Flash_api routines on the package work only with the CAN bootloader.

The Flash_api routines are listed in Appendix-B.

API Call

Process

The application selects an API by setting the 4 variables available when the Flash_api library is linked to the application.

These four variables are located in RAM at fixed address:

- api_command: 1Ch
- api_value: 1Dh
- api_dph: 1Eh
- api_dpl: 1Fh

All calls are made through a common interface "USER_CALL" at the address FFF0h.

The jump at the USER_CALL must be done by LCALL instruction to be able to come back in the application.

Before jump at the USER_CALL, the bit ENBOOT in AUXR1 register must be set.

Constraints

The interrupts are not disabled by the bootloader.

Interrupts must be disabled by user prior to jump to the USER_CALL, then re-enabled when returning.

Interrupts must also be disabled before accessing EEPROM data then re-enabled after.

The user must take care of hardware watchdog before launching a Flash operation.

For more information regarding the Flash writing time see the T89C51CC02 datasheet.

API Commands

Several types of APIs are available:

- Read/Program Flash and EEPROM Data memory
- Read Configuration and Manufacturer Information
- Program Configuration Information
- Erase Flash
- Start Bootloader

Read/Program Flash and EEPROM Data Memory

All routines to access EEPROM Data are managed directly from the application without using bootloader resources.

The bootloader is not used to read the Flash memory.

For more details on these routines see the T89C51CC02 datasheet sections “Program/Code Memory” and “EEPROM Data Memory”.

Two routines are available to program the Flash:

- __api_wr_code_byte
- __api_wr_code_page

- The application program loads the column latches of the Flash then calls the __api_wr_code_byte or __api_wr_code_page see datasheet in section “Program/Code Memory”.
- Parameter Settings

API_name	api_command	api_dph	api_dpl	api_value
__api_wr_code_byte __api_wr_code_page	0Dh	-	-	-

- Instruction: LCALL FFF0h.

Note: No special resources are used by the bootloader during this operation

Read Configuration and Manufacturer Information

- Parameter Settings

API_name	api_command	api_dph	api_dpl	api_value
__api_rd_HSB	08h	-	00h	return HSB
__api_rd_BSB	05h	-	00h	return BSB
__api_rd_SBV	05h	-	01h	return SBV
__api_rd_SSB	05h	-	05h	return SSB
__api_rd_EB	05h	-	06h	return EB
__api_rd_CANBTC1	05h	-	1Ch	return CANBTC1
__api_rd_CANBTC2	05h	-	1Dh	return CANBTC2
__api_rd_CANBTC3	05h	-	1Eh	return CANBTC3
__api_rd_NNB	05h	-	1Fh	return NNB
__api_rd_CRIS	05h	-	20h	return CRIS
__api_rd_manufacturer	05h	-	30h	return manufacturer id
__api_rd_device_id1	05h	-	31h	return id1

API_name	api_command	api_dph	api_dpl	api_value
__api_rd_device_id2	05h	-	60h	return id2
__api_rd_device_id3	05h	-	61h	return id3
__api_rd_bootloader_version	0Eh	-	00h	return value

- Instruction: LCALL FFF0h.
- At the complete API execution by the bootloader, the value to read is in the api_value variable.

Note: No special resources are used by the bootloader during this operation

Program Configuration Information

- Parameter Settings

API_name	api_command	api_dph	api_dpl	api_value
__api_clr_X2	07h	-	-	(HSB & 7Fh) 80h
__api_set_X2	07h	-	-	HSB & 7Fh
__api_wr_BSB	04h	-	00h	value to write
__api_wr_SBV	04h	-	01h	value to write
__api_wr_SSB	04h	-	05h	value to write
__api_wr_EB	04h	-	06h	value to write
__api_wr_CANBTC1	04h	-	1Ch	value to write
__api_wr_CANBTC2	04h	-	1Dh	value to write
__api_wr_CANBTC3	04h	-	1Eh	value to write
__api_wr_NNB	04h	-	1Fh	value to write
__api_wr_CRIS	04h	-	20h	value to write

- Instruction: LCALL FFF0h.

Note: 1. See in the T89C51CC02 datasheet the time required for a write operation.
2. No special resources are used by the bootloader during these operations.

Erasing Flash

The T89C51CC02 Flash memory is divided in two blocks of 8K Bytes:

- Block 0: from address 0000h to 1FFFh
- Block 1: from address 2000h to 3FFFh

These two blocks contain 64 pages.

- Parameter Settings

API_name	api_command	api_dph	api_dpl	api_value
__api_erase_block0	00h	00h	-	-
__api_erase_block1	00h	20h	-	-

- Instruction: LCALL FFF0h.

Note: 1. See the T89C51CC02 datasheet for the time that a write operation takes and this time must multiply by 64 (number of page).
2. No special resources are used by the bootloader during these operations

Starting the Bootloader

There are two start bootloader routines possible:

1. This routine allows to start at the beginning of the bootloader or after a reset. After calling this routine the regular boot process is performed and the communication must be opened before any action.
 - No special parameter setting
 - Set bit ENBOOT in AUXR1 register
 - Instruction: LJUMP or LCALL at address F800h
2. This routine allows to start the bootloader with the CAN bit configuration of the application and start with the state 'Communication Open'. That means the bootloader will return the message 'ID_SELECT_NODE' with the field com port open.
 - No special parameter setting
 - Set bit ENBOOT in AUXR1 register
 - Instruction: LJUMP or LCALL at address FF00h

Appendix-A

Table 1. Summary of Frames from Host

Identifier	Length	Data[0]	Data[1]	Data[2]	Data[3]	Data[4]	Description			
ID_SELECT_NODE (CRIS:0h)	1	num node	-	-	-	-	Open/Close communication			
ID_PROG_START (CRIS:1h)	5	00h	start_address		end_address		Init Flash programming			
		01h					Init EEPROM programming			
ID_PROG_DATA (CRIS:2h)	n	data[0:8]					Data to program			
ID_DISPLAY_DATA (CRIS:3h)	5	00h	start_address		end_address		Display Flash Data			
		01h					Blank Check in Flash			
		02h					Display EEPROM Data			
ID_WRITE_COMMAND (CRIS:4h)	2	00h	00h	-	-	-	Erase block0 (0K to 8K)			
			20h	-	-	-	Erase block1 (8K to 16K)			
			FFh	-	-	-	Full chip Erase			
	3	01h	value	00h	-	-	-	Write value in BSB		
				01h	-	-	-	Write value in SBV		
				02h	-	-	-	Write P1_CF		
				03h	-	-	-	Write P3_CF		
				04h	-	-	-	Write P4_CF		
				05h	-	-	-	Write value in SSB		
				06h	-	-	-	Write value in EB		
				1Ch	-	-	-	Write BTC_1		
				1Dh	-	-	-	Write BTC_2		
				1Eh	-	-	-	Write BTC_3		
				1Fh	-	-	-	Write NNB		
				20h	-	-	-	Write CRIS		
				3	02h	00h	value	-	-	Write value in Fuse (HWB)
				2	03h	00h	-	-	-	Start Application with Hardware Reset
	4	01h	address			-	Start Application by LJMP address			

Table 1. Summary of Frames from Host (Continued)

Identifier	Length	Data[0]	Data[1]	Data[2]	Data[3]	Data[4]	Description
ID_READ_COMMAND (CRIS:5h)	2	00h	00h	-	-	-	Read Bootloader Version
			01h	-	-	-	Read Device ID1
			02h	-	-	-	Read Device ID2
	2	01h	00h	-	-	-	Read BSB
			01h	-	-	-	Read SBV
			02h	-	-	-	Read P1_CF
			03h	-	-	-	Read P3_CF
			04h	-	-	-	Read P4_CF
			05h	-	-	-	Read SSB
			06h	-	-	-	Read EB
			30h	-	-	-	Read Manufacturer Code
			31h	-	-	-	Read Family Code
			60h	-	-	-	Read Product Name
			61h	-	-	-	Read Product Revision
			1Ch	-	-	-	Read BTC_1
			1Dh	-	-	-	Read BTC_2
			1Eh	-	-	-	Read BTC_3
			1Fh	-	-	-	Read NNB
			20h	-	-	-	Read CRIS
	2	02h	00h	-	-	-	Read HSB

Table 2. Summary of Frames from Target (Bootloader)

Identifier	Length	Data[0]	Data[1]	Data[2]	Data[3]	Data[4]	Description
ID_SELECT_NODE (CRIS:0h)	2	Boot version	00h	-	-	-	Communication close
			01h	-	-	-	Communication open
ID_PROG_START (CIRS:1h)	0	-	-	-	-	-	Command OK
ID_PROG_DATA (CRIS:2h)	1	00h	-	-	-	-	Command OK
		01h	-	-	-	-	Command fail
		02h	-	-	-	-	Command New Data
ID_DISPLAY_DATA (CRIS:3h)	n	n data (n = 0 to 8)					Data read
	0	-	-	-	-	-	Blank Check OK
	2	first address not blank		-	-	-	Blank Check fail
ID_WRITE_COMMAND (CIRS:4h)	1	00h	-	-	-	-	Command OK
ID_READ_COMMAND (CRIS:5h)	1	Value		-	-	-	Read Value
ID_ERROR (CRIS:6h)	1	00h	-	-	-	-	Software Security Error

Appendix-B

Table 3. API Summary

Function Name	Bootloader Execution	api_command	api_dph	api_dpl	api_value
__api_rd_code_byte	no				
__api_wr_code_byte	yes	0Dh	-	-	-
__api_wr_code_page	yes	0Dh	-	-	-
__api_erase_block0	yes	00h	00h	00h	-
__api_erase_block1	yes	00h	20h	00h	-
__api_rd_HSB	yes	08h	-	00h	return value
__api_clr_X2	yes	07h	-	-	(HSB & 7Fh) 80h
__api_set_X2	yes	07h	-	-	HSB & 7Fh
__api_rd_BSB	yes	05h	-	00h	return value
__api_wr_BSB	yes	04h	-	00h	value
__api_rd_SBV	yes	05h	-	01h	return value
__api_wr_SBV	yes	04h	-	01h	value
__api_erase_SBV	yes	04h	-	01h	FFh
__api_rd_SSB	yes	05h	-	05h	return value
__api_wr_SSB	yes	04h	-	05h	value
__api_rd_EB	yes	05h	-	06h	return value
__api_wr_EB	yes	04h	-	06h	value
__api_rd_CANBTC1	yes	05h	-	1Ch	return value
__api_wr_CANBTC1	yes	04h	-	1Ch	value
__api_rd_CANBTC2	yes	05h	-	1Dh	return value
__api_wr_CANBTC2	yes	04h	-	1Dh	value
__api_rd_CANBTC3	yes	05h	-	1Eh	return value
__api_wr_CANBTC3	yes	04h	-	1Eh	value
__api_rd_NNB	yes	05h	-	1Fh	return value
__api_wr_NNB	yes	04h	-	1Fh	value
__api_rd_CRIS	yes	05h	-	20h	return value
__api_wr_CRIS	yes	04h	-	20h	value
__api_rd_manufacturer	yes	05h	-	30h	return value
__api_rd_device_id1	yes	05h	-	31h	return value
__api_rd_device_id2	yes	05h	-	60h	return value
__api_rd_device_id3	yes	05h	-	61h	return value
__api_rd_bootloader_version	yes	0Eh	-	00h	return value

Table 3. API Summary (Continued)

Function Name	Bootloader Execution	api_command	api_dph	api_dpl	api_value
__api_eeprom_busy	no	-	-	-	-
__api_rd_eeprom_byte	no	-	-	-	-
__api_wr_eeprom_byte	no	-	-	-	-
__api_start_bootloader	no	-	-	-	-
__api_start_isp	no	-	-	-	-

Datasheet Change Log

Changes from 4208B - 04/03 to 42108C - 12/03

1. Clarified explanation regarding full chip erase. See “Erasing Flash” on page 26.

Changes from 42108C - 12/03 to 42108D - 03/08

1. Update of Bootloader version.



Headquarters

Atmel Corporation
2325 Orchard Parkway
San Jose, CA 95131
USA
Tel: 1(408) 441-0311
Fax: 1(408) 487-2600

International

Atmel Asia
Room 1219
Chinachem Golden Plaza
77 Mody Road Tsimshatsui
East Kowloon
Hong Kong
Tel: (852) 2721-9778
Fax: (852) 2722-1369

Atmel Europe
Le Krebs
8, Rue Jean-Pierre Timbaud
BP 309
78054 Saint-Quentin-en-
Yvelines Cedex
France
Tel: (33) 1-30-60-70-00
Fax: (33) 1-30-60-71-11

Atmel Japan
9F, Tonetsu Shinkawa Bldg.
1-24-8 Shinkawa
Chuo-ku, Tokyo 104-0033
Japan
Tel: (81) 3-3523-3551
Fax: (81) 3-3523-7581

Product Contact

Web Site
www.atmel.com

Technical Support
8051@atmel.com

Sales Contact
www.atmel.com/contacts

Literature Requests
www.atmel.com/literature

Disclaimer: The information in this document is provided in connection with Atmel products. No license, express or implied, by estoppel or otherwise, to any intellectual property right is granted by this document or in connection with the sale of Atmel products. **EXCEPT AS SET FORTH IN ATMEL'S TERMS AND CONDITIONS OF SALE LOCATED ON ATMEL'S WEB SITE, ATMEL ASSUMES NO LIABILITY WHATSOEVER AND DISCLAIMS ANY EXPRESS, IMPLIED OR STATUTORY WARRANTY RELATING TO ITS PRODUCTS INCLUDING, BUT NOT LIMITED TO, THE IMPLIED WARRANTY OF MERCHANTABILITY, FITNESS FOR A PARTICULAR PURPOSE, OR NON-INFRINGEMENT. IN NO EVENT SHALL ATMEL BE LIABLE FOR ANY DIRECT, INDIRECT, CONSEQUENTIAL, PUNITIVE, SPECIAL OR INCIDENTAL DAMAGES (INCLUDING, WITHOUT LIMITATION, DAMAGES FOR LOSS OF PROFITS, BUSINESS INTERRUPTION, OR LOSS OF INFORMATION) ARISING OUT OF THE USE OR INABILITY TO USE THIS DOCUMENT, EVEN IF ATMEL HAS BEEN ADVISED OF THE POSSIBILITY OF SUCH DAMAGES.** Atmel makes no representations or warranties with respect to the accuracy or completeness of the contents of this document and reserves the right to make changes to specifications and product descriptions at any time without notice. Atmel does not make any commitment to update the information contained herein. Unless specifically provided otherwise, Atmel products are not suitable for, and shall not be used in, automotive applications. Atmel's products are not intended, authorized, or warranted for use as components in applications intended to support or sustain life.

© 2008 Atmel Corporation. All rights reserved. Atmel®, logo and combinations thereof, and others are registered trademarks or trademarks of Atmel Corporation or its subsidiaries. Other terms and product names may be trademarks of others.