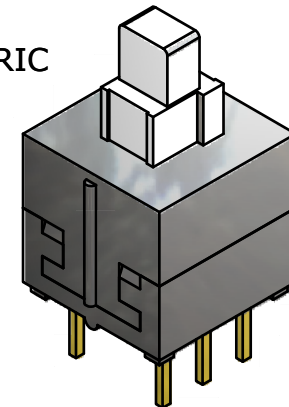
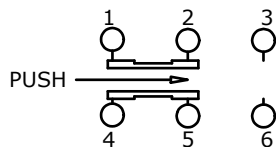


ISOMETRIC



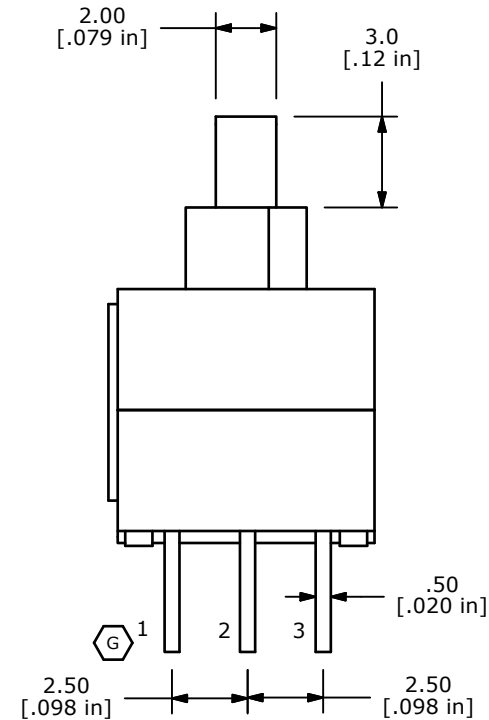
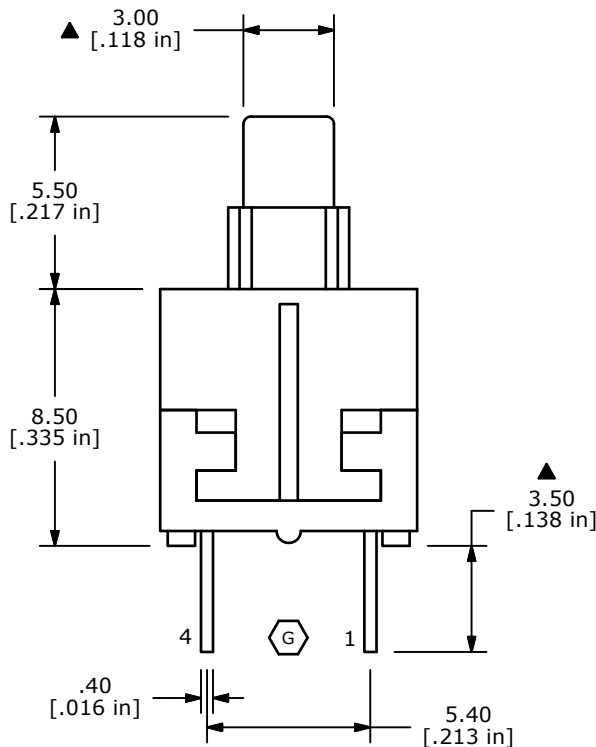
SWITCH FUNCTION	
POS. 1	POS. 2
ON	ON
2-1, 5-4	2-3, 5-6



CIRCUIT DIAGRAM (DPDT)
BREAK BEFORE MAKE

NOTES:

1. ALL DIMENSIONS IN MM [INCH]
2. GENERAL TOLERANCE: X.X=± 0.4
X.XX=± 0.25
3. TERMINAL NUMBERS FOR REF. ONLY
- ▲ 4. RATING: 0.1A @ 30VDC
5. TRAVEL: FULL = 2.5, LOCK = 1.5
6. OPERATING FORCE: 220± 50gf
7. ELECTRICAL LIFE: 10,000 CYCLES
8. ▲ DENOTES CRITICAL PARAMETER
9. CONTACT MATERIAL: SILVER
10. 2002/95/EC (RoHS) COMPLIANT



G	19364	CORRECT TERMINAL NUMBERS	10/19/10	BMA
F	18022	Redrawn and chg force from 180 to 220	3/17/08	rc
REV	PCR NO	DESCRIPTION	DATE	BY

THE INFORMATION CONTAINED IN THIS DOCUMENT IS PROPRIETARY TO E-SWITCH AND IS NOT TO BE COPIED OR TRANSFERRED



TITLE TL2201EEXA				
SCALE 2:1	DATE 3/17/2008	DR BLR	DWG P010350	REV G