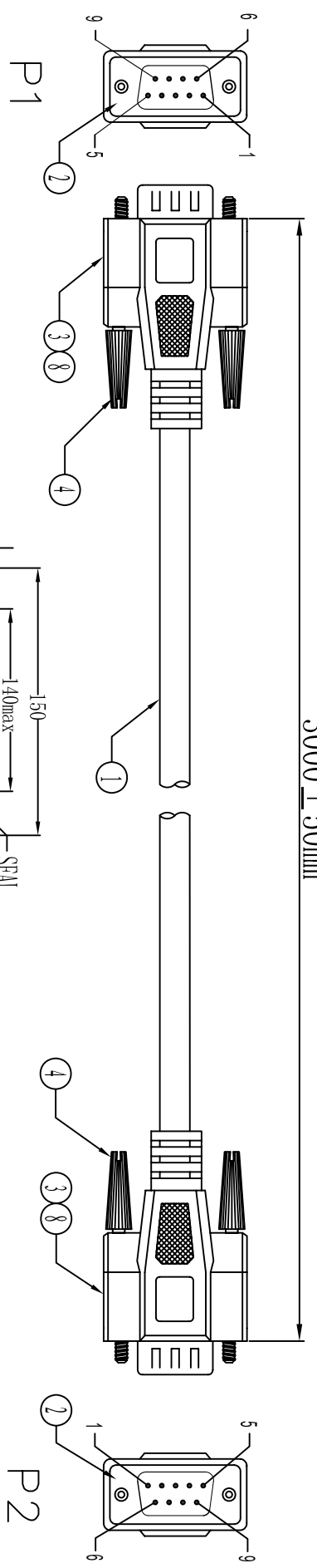
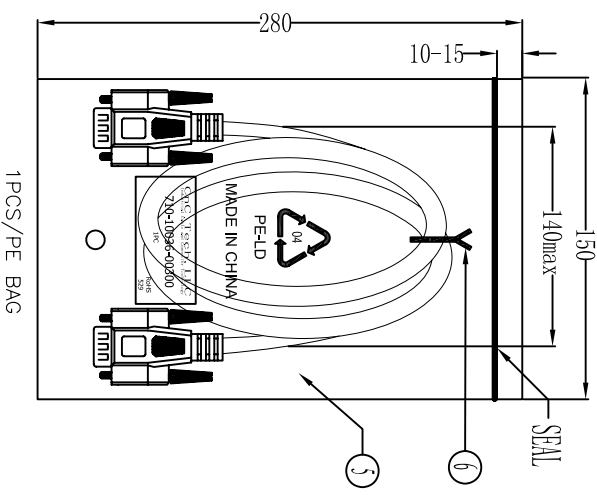


UNIT : mm



Electronic Test:
 1.100% Test,(Open,Short,Miss Wire)
 2.Contact Resistance:2 ohm max.
 3.Insulation Resistance:5M ohm min.
 4.Hi-Pot:300V DC.



1PCS/PE BAG

PIN ASSIGNMENT

P1	BLACK	P2
1	GREY	1
2	YELLOW	2
3	PURPLE	3
4	ORANGE	4
5	RED	5
6	BROWN	6
7	GREEN	7
8	BLUE	8
9	D.W	9
SHELL		SHELL

⑧	TUBE	2	HEAT SHRINK TUBE BLACK OD1.5*L15MM
⑦	PE BAG	1/10	CLEAR SIZE:360*380*0.05mm PRINT BLACK*MADE IN CHINA*+*10PCS* 及生产周期, 有透汽孔.
⑥	TIE	1	WHITE L=130mm
⑤	PE BAG	1	CLEAR SIZE:150*280*0.05mm PRINT BLACK*MADE IN CHINA* 及生产周期, 有透汽孔.
④	SCREW	4	SCREW:#4-40UNC D-E L32.5mm,NICKEL PLATED,INSULATION COLOR BEIGE(V-29).
③	OUT JACKET	43.5g	BEIGE(V-29) 40P PVC(MOULD NO:WM-113)
②	IN JACKET	8g	CLEAR LDPE(MOULD NO:NM-049)
①	CONN	2	DB 9PIN MALE PIN G/F SHELL-NICKEL SOLDER TYPE INSULATION COLOR BLUE
①	CABLE	1	NOUL 30AWG(7/0.10)*9C+D+W+A/L/M*+JACKET COROL:BEIGE(V-29) OD:5.0mm. L3000±15mm.

SPECIFICATION

Cnc Tech, LLC
 Industrial Cable and Connector Technology

DRAWN BY	ZHONGHS	DRAWING NO.	
CHECKED BY		CUSTOMER	
APPROVAL BY		ITEM NO.	710-10036-00300
DECIDE BY		DATE	2012-02-06
VERSIONS/EDITION	A/0	PROJECTION	