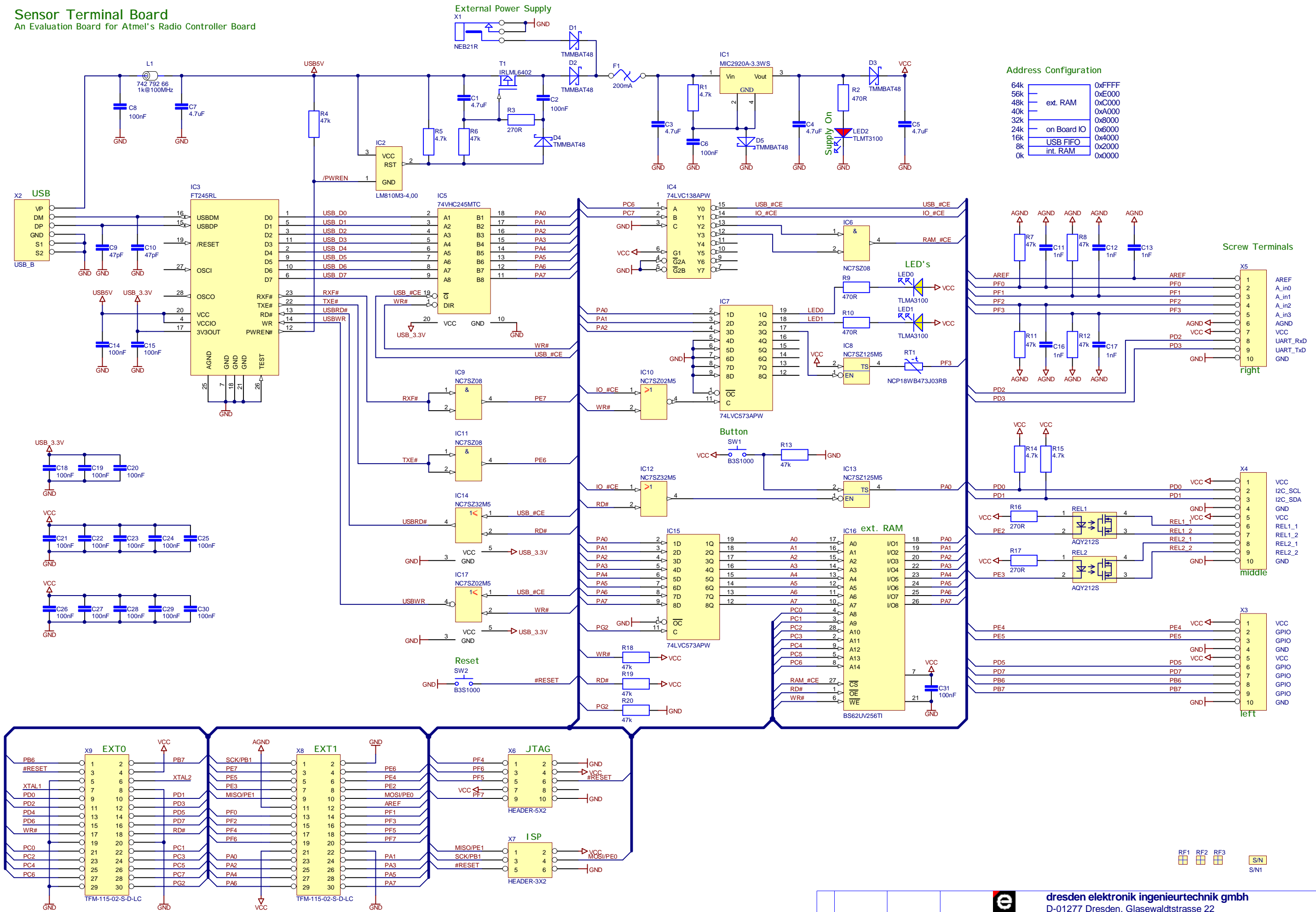


# Sensor Terminal Board

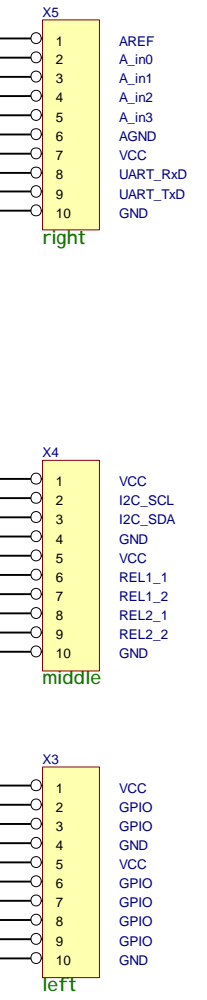
An Evaluation Board for Atmel's Radio Controller Board



## Address Configuration

Address	Configuration
64k	0xFFFF
56k	0xE000
48k	0xC000
40k	0xA000
32k	0x8000
24k	0x6000
16k	0x4000
8k	0x2000
0k	0x0000

## Screw Terminals



**dresden elektronik ingenieurtechnik gmbh**  
 D-01277 Dresden, Glasewaldstrasse 22

**Sensor Terminal Board**  
 Title: Sensor Terminal Board  
 Size: A3  
 Document Number: 5 449 06 00.100.02  
 Date: 05.12.2008  
 Time: 14:33:30  
 Document File Name: SensTerm\_B\_Rev02.SchDoc  
 Author: Matthias Gotte  
 Sheet: 1 of 1  
 Rev: 01

Nr.	Aenderung	Datum	Name