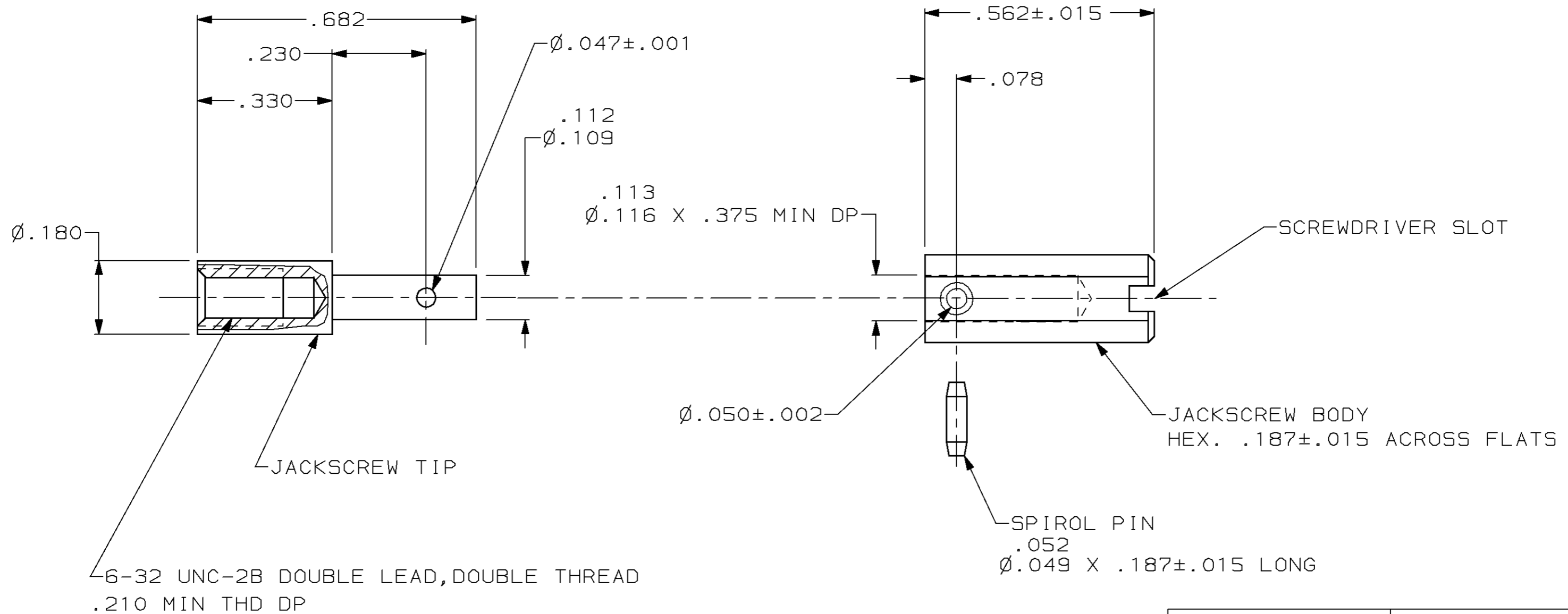


THIS DRAWING IS UNPUBLISHED. RELEASED FOR PUBLICATION, 19 .
 © COPYRIGHT 19 BY AMP INCORPORATED. ALL INTERNATIONAL RIGHTS RESERVED.

LOC	DIST	P	F	REVISIONS				
				ZONE	LTR	DESCRIPTION	DATE	APPD
AR	39				D	REDRAWN AR2318	2-89	-
					E	SUPSD -1 PER EC 0020-542-94	12/21/94	GM
					F	REV PER EC 0020-293-96	25 JUN 96	GDM



	PASSIVATED	88616-2
SUPSD BY 88616-2	-	88616-1
	FINISH	PART NO

DO NOT SCALE PRINT. UNLESS SPECIFIED DIMENSIONS IN INCHES TOLERANCES ON: 2 PLC DEC ± - 3 PLC DEC ± .005 ANGLES ± -	DR 2-2-89 C. OBERMAN	AMP INCORPORATED Harrisburg, Pa. 17105
	CHK 2-15-89 G.D. MILLER	
MATERIAL STAINLESS STEEL	APPD 2-15-89 G.D. MILLER	NAME JACKSCREW KIT, FEMALE, TURNABLE
FINISH SEE TABLE	APPD 2-15-89 W. PARKER	SIZE B
	PRODUCT SPEC -	FSCM NO 00779
	APPLICATION SPEC -	DRAWING NO 88616
	WEIGHT -	SCALE 4:1
		SHEET 1 OF 1